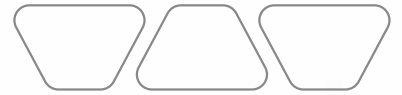


# Schlüter®- PROFIELEN en SYSTEMEN

Beeld-prijslijst PS 25

Nederland – België · Geldig vanaf 1 januari 2025



# 2025



# Uw partner voor 2025 ...

## Prijslijst BEKOTEC-THERM



## Prijslijst LIPROTEC

# ... competent op alle vakgebieden

## Klantspecifieke producten

MyDesign by Schlüter-Systems	16–31	
------------------------------	-------	--

My Schlüter®-KERDI-LINE	32–35	
-------------------------	-------	--

## Techniek en design met Schlüter-profielen

Bekledingsafsluitingen op de vloer	36–51	
------------------------------------	-------	--

Wandhoeken en afsluitingen	52–107	
----------------------------	--------	--

Trapprofielen	108–121	
---------------	---------	--

Bewegings-, rand- en aansluitvoegen	122–153	
-------------------------------------	---------	--

Profielen voor elastische wand- en vloerbekledingen	154–161	
---	---------	--

## Afdichting / ontkoppeling / verwarming / afwatering / planchet / contactgeluidsisolatie / demontage

Afdichting, ontkoppeling, hechtende drainage, verwarming, contactgeluidsisolatie	162–183	
--	---------	--

Demontagevlies	184–185	
----------------	---------	--

Afdichten tegen de wand en op de vloer, afwatering, planchet	186–263	
--	---------	--

## Plaatsingsondergronden voor tegels

Constructieplaten, nissensets, profielen en toebehoren	264–281	
--	---------	--

## Balkons en terrassen

Balkon-randprofielen, gootsysteem, drainage en tegel dragers	282–333	
--	---------	--

## Verwerkingstips

Toebehoren en gereedschap	334–337	
---------------------------	---------	--

## Bijlage

Speciale uitvoering van Schlüter-producten	338–339	
--	---------	--

Kleurcodes	340–342	
------------	---------	--

Legenda	346	
---------	-----	--



## B

Schlüter®-BARA-ESOT .....	331
Schlüter®-BARA-FAP .....	328
Schlüter®-BARA-HV .....	327
Schlüter®-BARA-RAK .....	315
Schlüter®-BARA-RAKE .....	316
Schlüter®-BARA-RAKEG .....	317
Schlüter®-BARA-RAP .....	328
Schlüter®-BARA-RHA .....	325
Schlüter®-BARA-RK .....	324
Schlüter®-BARA-RKB .....	321
Schlüter®-BARA-RKK .....	318
Schlüter®-BARA-RKKE .....	320
Schlüter®-BARA-RKL .....	326–327
Schlüter®-BARA-RKLT .....	329
Schlüter®-BARA-RT .....	322
Schlüter®-BARA-RTC .....	323
Schlüter®-BARA-RTK .....	311
Schlüter®-BARA-RTKE .....	312
Schlüter®-BARA-RTKEG .....	313
Schlüter®-BARA-RTP .....	330
Schlüter®-BARA-RW .....	319
Schlüter®-BARA-RWL .....	325
Schlüter®-BARA-STU .....	331
Schlüter®-BARIN-R .....	333
Schlüter®-BARIN-SR .....	332
Schlüter®-BEKOTEC-DRAIN .....	290

## C

Schlüter®-CLEAN-CP .....	337
--------------------------	-----

## D

Schlüter®-DECO .....	91
Schlüter®-DECO-DE .....	92
✱ Schlüter®-DECO-SG .....	98, 235–236
Schlüter®-DESIGNBASE-CQ .....	102
Schlüter®-DESIGNBASE-SL-A .....	100–101
Schlüter®-DESIGNBASE-SL-E .....	99
Schlüter®-DESIGNLINE .....	96
Schlüter®-DILEX-AHK .....	149–150
Schlüter®-DILEX-AHK-TS .....	148
Schlüter®-DILEX-AHKA .....	150–151
Schlüter®-DILEX-AKWS .....	126
Schlüter®-DILEX-AS .....	137
Schlüter®-DILEX-BT .....	130
Schlüter®-DILEX-BT/MT .....	134
Schlüter®-DILEX-BT/OT .....	134
Schlüter®-DILEX-BT/VTS .....	134
Schlüter®-DILEX-BTO .....	131
Schlüter®-DILEX-BTS .....	131
Schlüter®-DILEX-BWA .....	137

Schlüter®-DILEX-BWB .....	127
Schlüter®-DILEX-BWS .....	127
Schlüter®-DILEX-DFP .....	153
Schlüter®-DILEX-EDP .....	124
Schlüter®-DILEX-EF .....	138
Schlüter®-DILEX-EHK .....	145
Schlüter®-DILEX-EK .....	140
Schlüter®-DILEX-EKE .....	138
Schlüter®-DILEX-EKSB .....	126
Schlüter®-DILEX-EMP .....	152
Schlüter®-DILEX-EZ 6 + 9 .....	130
✱ Schlüter®-DILEX-FCS .....	129
✱ Schlüter®-DILEX-FIS .....	129
Schlüter®-DILEX-HK .....	141
Schlüter®-DILEX-HKS .....	144
Schlüter®-DILEX-HKU .....	146–147
Schlüter®-DILEX-HKW .....	142
Schlüter®-DILEX-KS .....	125
Schlüter®-DILEX-KSA .....	136
Schlüter®-DILEX-KSBT .....	132–133
✱ Schlüter®-DILEX-MOP .....	153
Schlüter®-DILEX-MP .....	152
Schlüter®-DILEX-RF .....	139
Schlüter®-DITRA .....	165, 288
Schlüter®-DITRA-DRAIN 4 .....	181, 289
Schlüter®-DITRA-DRAIN 8 .....	181, 290
Schlüter®-DITRA-HEAT .....	169
Schlüter®-DITRA-HEAT-DUO .....	169
Schlüter®-DITRA-HEAT-DUO-PS .....	171
Schlüter®-DITRA-HEAT-E-CHC .....	173
Schlüter®-DITRA-HEAT-E-CT .....	175
Schlüter®-DITRA-HEAT-E-DUO-S .....	178
Schlüter®-DITRA-HEAT-E-DUO-WS .....	179
Schlüter®-DITRA-HEAT-E-HK .....	172
Schlüter®-DITRA-HEAT-E-KARO .....	175
Schlüter®-DITRA-HEAT-E-R .....	174
Schlüter®-DITRA-HEAT-E-R3 .....	174
Schlüter®-DITRA-HEAT-E-R4 .....	175
Schlüter®-DITRA-HEAT-E-R6 .....	174
Schlüter®-DITRA-HEAT-E-S .....	176
Schlüter®-DITRA-HEAT-E-WS .....	177
Schlüter®-DITRA-HEAT-E-ZS .....	175
Schlüter®-DITRA-HEAT-PS .....	171
✱ Schlüter®-DITRA-PS .....	167
Schlüter®-DITRA-SOUND .....	183

## E

Schlüter®-ECK-E .....	93
Schlüter®-ECK-K .....	94
Schlüter®-ECK-KHK .....	95, 143

## F

Schlüter®-FINEC-A .....	90
Schlüter®-FINEC-E .....	87
Schlüter®-FINEC-SQ .....	85–86
Schlüter®-FINEC-TS .....	88–89

## I

Schlüter®-INDEC .....	92
-----------------------	----

## J

Schlüter®-JOLLY .....	77
Schlüter®-JOLLY-A .....	80–81
Schlüter®-JOLLY-AC .....	82
Schlüter®-JOLLY-P .....	83
Schlüter®-JOLLY-TS .....	78–79

## K

Schlüter®-KERDI .....	188, 289
Schlüter®-KERDI-BOARD .....	267
Schlüter®-KERDI-BOARD-E .....	276
Schlüter®-KERDI-BOARD-N .....	270–271
Schlüter®-KERDI-BOARD-NLT .....	272–273
Schlüter®-KERDI-BOARD-NLT-BR .....	274–275
Schlüter®-KERDI-BOARD-U .....	276
Schlüter®-KERDI-BOARD-V .....	276
Schlüter®-KERDI-BOARD-W .....	269
Schlüter®-KERDI-BOARD-ZA .....	279
Schlüter®-KERDI-BOARD-ZB .....	279
Schlüter®-KERDI-BOARD-ZC .....	278
Schlüter®-KERDI-BOARD-ZDK .....	281
Schlüter®-KERDI-BOARD-ZFP .....	281
Schlüter®-KERDI-BOARD-ZS .....	280
Schlüter®-KERDI-BOARD-ZSA .....	281
Schlüter®-KERDI-BOARD-ZSD .....	280
Schlüter®-KERDI-BOARD-ZT .....	280
Schlüter®-KERDI-BOARD-ZW .....	278
Schlüter®-KERDI-CID .....	193
Schlüter®-KERDI-COLL-L .....	196, 277
Schlüter®-KERDI-CP .....	195
Schlüter®-KERDI-DRAIN .....	248
Schlüter®-KERDI-DRAIN (binnen) .....	237–245
Schlüter®-KERDI-DRAIN (buiten) .....	303–309
Schlüter®-KERDI-DRAIN sets .....	249
Schlüter®-KERDI-DRAIN-BASE .....	246
Schlüter®-KERDI-DRAIN-BS .....	247
Schlüter®-KERDI-DRAIN-KD 10 .....	246
Schlüter®-KERDI-DRAIN-KD 10 SF .....	247
Schlüter®-KERDI-DRAIN-R 10 GT .....	246
Schlüter®-KERDI-DRAIN-R/-RL .....	248
Schlüter®-KERDI-DRAIN-SP-E .....	302
Schlüter®-KERDI-DRAIN-ZBS .....	222, 247
Schlüter®-KERDI-FIX .....	121, 196



Schlüter®-KERDI-FLEX .....	189
Schlüter®-KERDI-KEBA .....	189, 277
Schlüter®-KERDI-KERECK .....	190
Schlüter®-KERDI-KERECK-F .....	190
Schlüter®-KERDI-KERS .....	190
Schlüter®-KERDI-KM .....	192
Schlüter®-KERDI-LINE-A sets .....	227
Schlüter®-KERDI-LINE-A/-B/-C .....	218-220
Schlüter®-KERDI-LINE-BS .....	222
Schlüter®-KERDI-LINE-D .....	221
Schlüter®-KERDI-LINE-D-G3 .....	226
Schlüter®-KERDI-LINE-F 40 .....	210
Schlüter®-KERDI-LINE-F 50 .....	211
Schlüter®-KERDI-LINE-F-G3 .....	226
Schlüter®-KERDI-LINE-FC .....	221
Schlüter®-KERDI-LINE-G3 .....	224-225
Schlüter®-KERDI-LINE-GTM .....	223, 247
Schlüter®-KERDI-LINE-GTO .....	222
Schlüter®-KERDI-LINE-H .....	212
Schlüter®-KERDI-LINE-H 50 G2 .....	213
Schlüter®-KERDI-LINE-SR .....	223
Schlüter®-KERDI-LINE-STYLE .....	217
Schlüter®-KERDI-LINE-V .....	214-215
Schlüter®-KERDI-LINE-V 50 G2 .....	216
Schlüter®-KERDI-LINE-VARIO COVE .....	205
Schlüter®-KERDI-LINE-VARIO WAVE .....	202
Schlüter®-KERDI-LINE-VARIO-DSE .....	206
Schlüter®-KERDI-LINE-VARIO-H 40 .....	200
Schlüter®-KERDI-LINE-VARIO-H 50 .....	201
Schlüter®-KERDI-LINE-VARIO-S .....	206
Schlüter®-KERDI-MV .....	191
Schlüter®-KERDI-PAS .....	191
Schlüter®-KERDI-SHOWER-LT .....	228
Schlüter®-KERDI-SHOWER-LTS .....	229
Schlüter®-KERDI-SHOWER-SK/-SKB .....	250
Schlüter®-KERDI-SHOWER-T .....	251
Schlüter®-KERDI-SHOWER-TS .....	251
Schlüter®-KERDI-SHOWER-TT .....	252
Schlüter®-KERDI-TS .....	194
Schlüter®-KERDI-TS-ZC .....	195
<b>P</b>	
Schlüter®-PROCUT-PSF .....	337
Schlüter®-PROCUT-TSM .....	337
<b>Q</b>	
Schlüter®-QUADEC-A .....	60-61
Schlüter®-QUADEC-AC .....	63
Schlüter®-QUADEC-E .....	56-57
Schlüter®-QUADEC-FS .....	97
Schlüter®-QUADEC-MC .....	55
Schlüter®-QUADEC-PQ .....	64
Schlüter®-QUADEC-TS .....	58-59
<b>R</b>	
Schlüter®-REFLEECE .....	185
Schlüter®-REMA .....	336
Schlüter®-RENO-RAMP .....	50
Schlüter®-RENO-RAMP-K .....	50
Schlüter®-RENO-T .....	51
Schlüter®-RENO-TK .....	46
Schlüter®-RENO-U .....	49
Schlüter®-RENO-V .....	47
Schlüter®-RENO-VB .....	48
Schlüter®-RENO-VT .....	48, 134
Schlüter®-RONDEC-A .....	70-71
Schlüter®-RONDEC-AC .....	72
Schlüter®-RONDEC-DB .....	73
Schlüter®-RONDEC-E .....	66-67
Schlüter®-RONDEC-MC .....	65
Schlüter®-RONDEC-PRG .....	75
Schlüter®-RONDEC-PRO .....	74
Schlüter®-RONDEC-STEP .....	104
Schlüter®-RONDEC-STEP-CT .....	105
Schlüter®-RONDEC-TS .....	68-69
Schlüter®-RUMA .....	336
<b>S</b>	
Schlüter®-SCHIENE .....	39-40
Schlüter®-SCHIENE-A .....	42-43
Schlüter®-SCHIENE-AC .....	43
Schlüter®-SCHIENE-BASIC .....	45
Schlüter®-SCHIENE-ES .....	44
Schlüter®-SCHIENE-STEP .....	107
Schlüter®-SCHIENE-STEP-EB .....	106-107
Schlüter®-SCHIENE-TS .....	40-41
Schlüter®-SCHIENE-V .....	45
Schlüter®-SHELF-E-S1 .....	254-255
Schlüter®-SHELF-E-S2 .....	256-257
Schlüter®-SHELF-E-S3 .....	258-259
Schlüter®-SHELF-N .....	260-261
Schlüter®-SHELF-W .....	262-263
Schlüter®-SHOWERPROFILE-R .....	232
Schlüter®-SHOWERPROFILE-S .....	230
Schlüter®-SHOWERPROFILE-WS .....	233
Schlüter®-SHOWERPROFILE-WSK .....	234
<b>T</b>	
Schlüter®-TERRAZZO .....	51
Schlüter®-TREP-E .....	115
Schlüter®-TREP-EFK .....	119
Schlüter®-TREP-EK .....	119
Schlüter®-TREP-FL .....	117
Schlüter®-TREP-G/-GL .....	116
Schlüter®-TREP-GK/-GLK .....	120
Schlüter®-TREP-S/-B .....	113
Schlüter®-TREP-V .....	111
Schlüter®-TROBA .....	293
Schlüter®-TROBA-LEVEL-AP 1 .....	297
Schlüter®-TROBA-LEVEL-LV 3 .....	298
Schlüter®-TROBA-LEVEL-PL 10 .....	296
Schlüter®-TROBA-LEVEL-PLA 30 .....	297
Schlüter®-TROBA-LEVEL-PLA 70 .....	298
Schlüter®-TROBA-LEVEL-PLS 6 .....	298
Schlüter®-TROBA-LEVEL-PLV 60 .....	297
Schlüter®-TROBA-LINE-TL .....	299-300
Schlüter®-TROBA-LINE-TL/H .....	302
Schlüter®-TROBA-LINE-TLK-E .....	302
Schlüter®-TROBA-LINE-TLR .....	300
Schlüter®-TROBA-LINE-TLR-E .....	301
Schlüter®-TROBA-PLUS .....	291
Schlüter®-TROBA-PLUS-G .....	292
Schlüter®-TROBA-STELZ-DR .....	294
Schlüter®-TROBA-STELZ-MR .....	294
Schlüter®-TROBA-ZFK .....	293
Schlüter®-TROWEL .....	336
<b>V</b>	
Schlüter®-VINPRO-RO .....	159
Schlüter®-VINPRO-S .....	158
Schlüter®-VINPRO-STEP .....	160
Schlüter®-VINPRO-STEP-R .....	161
Schlüter®-VINPRO-T .....	156
Schlüter®-VINPRO-U .....	157
<b>W</b>	
Schlüter®-WINKEL .....	48



## BEKLEDINGSAFSLUITINGEN OP DE VLOER



Schlüter®-**SCHIENE**  
Pagina 39–43



Schlüter®-**SCHIENE-ES**  
Pagina 44



Schlüter®-**SCHIENE-BASIC**  
Pagina 45



Schlüter®-**SCHIENE-V**  
Pagina 45



Schlüter®-**RENO-TK**  
Pagina 46



Schlüter®-**RENO-V**  
Pagina 47



Schlüter®-**RENO-U**  
Pagina 49



Schlüter®-**RENO-RAMP**  
Pagina 50



Schlüter®-**RENO-RAMP-K**  
Pagina 50



Schlüter®-**RENO-T**  
Pagina 51



Schlüter®-**TERRAZZO**  
Pagina 51

## WANDHOEKEN EN AFSLUITINGEN



Schlüter®-**QUADEC**  
Pagina 55–64



Schlüter®-**RONDEC**  
Pagina 65–75



Schlüter®-**JOLLY**  
Pagina 77–83



Schlüter®-**FINEC**  
Pagina 85–90



Schlüter®-**DECO**  
Pagina 91–92



Schlüter®-**INDEC**  
Pagina 92



Schlüter®-**ECK**  
Pagina 93–94



Schlüter®-**ECK-KHK**  
Pagina 95, 143



Schlüter®-**DESIGNLINE**  
Pagina 96



Schlüter®-**QUADEC-FS**  
Pagina 97



Schlüter®-**DECO-SG**  
Pagina 98, 235–236



★ Schlüter®-**DESIGNBASE**  
Pagina 99–102



Schlüter®-**RONDEC-STEP**  
Pagina 104–105



Schlüter®-**SCHIENE-STEP**  
Pagina 106–107

## TRAPPROFIELEN



Schlüter®-TREP-V  
Pagina 111



Schlüter®-TREP-S/-B  
Pagina 113



Schlüter®-TREP-TAP  
Pagina 113



Schlüter®-TREP-E  
Pagina 115



Schlüter®-TREP-G/-GL  
Pagina 116



Schlüter®-TREP-FL  
Pagina 117



Schlüter®-TREP-EK  
Pagina 119



Schlüter®-TREP-EFK  
Pagina 119



Schlüter®-TREP-GK/-GLK  
Pagina 120

## BEWEGINGS-, RAND- EN AANSLUITVOEGEN



Schlüter®-DILEX-EDP  
Pagina 124



Schlüter®-DILEX-KS  
Pagina 125



Schlüter®-DILEX-EKSB  
Pagina 126



Schlüter®-DILEX-AKWS  
Pagina 126



Schlüter®-DILEX-BWB  
Pagina 127



Schlüter®-DILEX-BWS  
Pagina 127



Schlüter®-DILEX-F  
Pagina 129



★ Schlüter®-DILEX-EZ 6 + 9  
Pagina 130



Schlüter®-DILEX-BT  
Pagina 130



Schlüter®-DILEX-BTO  
Pagina 131



Schlüter®-DILEX-BTS  
Pagina 131



Schlüter®-DILEX-KSBT  
Pagina 132-133



Schlüter®-DILEX-KSA  
Pagina 136



Schlüter®-DILEX-BWA  
Pagina 137



Schlüter®-DILEX-AS  
Pagina 137



Schlüter®-DILEX-EF  
Pagina 138





## BEWEGINGS-, RAND- EN AANSLUITVOEGEN (VERVOLG)



Schlüter®-DILEX-EKE  
Pagina 138



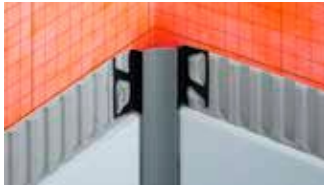
Schlüter®-DILEX-RF  
Pagina 139



Schlüter®-DILEX-EK  
Pagina 140



Schlüter®-DILEX-HK  
Pagina 141



Schlüter®-DILEX-HKW  
Pagina 142



Schlüter®-DILEX-HKS  
Pagina 144



Schlüter®-DILEX-EHK  
Pagina 145



Schlüter®-DILEX-HKU  
Pagina 146-147



Schlüter®-DILEX-AHK-TS  
Pagina 148



Schlüter®-DILEX-AHK  
Pagina 149-150



Schlüter®-DILEX-AHKA  
Pagina 150-151



Schlüter®-DILEX-EMP  
Pagina 152



Schlüter®-DILEX-MP  
Pagina 152



Schlüter®-DILEX-MOP  
Pagina 153



✪ Schlüter®-DILEX-DFP  
Pagina 153

## PROFIELEN VOOR ELASTISCHE WAND- EN VLOERBEKLEDINGEN



Schlüter®-VINPRO-T  
Pagina 156



Schlüter®-VINPRO-U  
Pagina 157



Schlüter®-VINPRO-S  
Pagina 158



Schlüter®-VINPRO-RO  
Pagina 159



Schlüter®-VINPRO-STEP  
Pagina 160

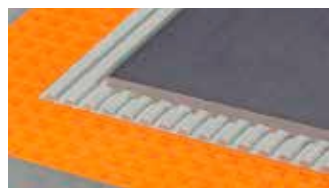


Schlüter®-VINPRO-STEP-R  
Pagina 161

## AFDICHTING, ONTKOPPELING, HECHTENDE DRAINAGE, VERWARMING, CONTACTGELUIDSISOLATIE



**Schlüter®-DITRA**  
Pagina 165, 288



**Schlüter®-DITRA-PS**  
Pagina 167



**Schlüter®-DITRA-HEAT / -DUO**  
Pagina 169



**Schlüter®-DITRA-HEAT-PS / -DUO-PS**  
Pagina 171



**Schlüter®-DITRA-HEAT-E toebehoren**  
Pagina 172-175



**Schlüter®-DITRA-HEAT-E sets**  
Pagina 176-179



**Schlüter®-DITRA-DRAIN**  
Pagina 181, 289-290



**Schlüter®-DITRA-SOUND**  
Pagina 183

## DEMONTAGEVLIES

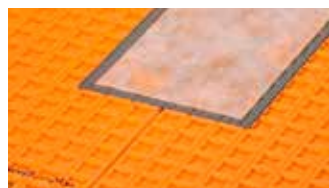


**Schlüter®-REFLEECE**  
Pagina 185

## AFDICHTEN TEGEN DE WAND EN OP DE VLOER, AFWATERING, PLANCHET



**Schlüter®-KERDI**  
Pagina 188, 289



**Schlüter®-KERDI-KEBA/-FLEX**  
Pagina 189, 277



**Schlüter®-KERDI-KERECK / -F**  
Pagina 190



**Schlüter®-KERDI-KERS**  
Pagina 190



**Schlüter®-KERDI-MV/-PAS**  
Pagina 191



**Schlüter®-KERDI-KM**  
Pagina 192



**Schlüter®-KERDI-CID**  
Pagina 193



**Schlüter®-KERDI-TS / -ZC**  
Pagina 194-195



**Schlüter®-KERDI-CP**  
Pagina 195



**Schlüter®-KERDI-COLL-L**  
Pagina 196, 277



**Schlüter®-KERDI-FIX**  
Pagina 121, 196



**Schlüter®-KERDI-LINE-VARIO**  
Pagina 200-206





## AFDICHTEN TEGEN DE WAND EN OP DE VLOER, AFWATERING, PLANCHET (VERVOLG)



**Schlüter®-KERDI-LINE**  
Pagina 210–216, 224–225



**Schlüter®-KERDI-LINE-STYLE**  
Pagina 217



**Schlüter®-KERDI-LINE-A/-B/-C**  
Pagina 218–220



**Schlüter®-KERDI-LINE-FC**  
Pagina 221



**Schlüter®-KERDI-LINE-D / -G3**  
Pagina 221, 226



**Schlüter®-KERDI-LINE-A sets**  
Pagina 227



**Schlüter®-KERDI-LINE toebehoren**  
Pagina 222–223



**Schlüter®-KERDI-LINE-SR**  
Pagina 223



**Schlüter®-KERDI-SHOWER-LT/-LTS**  
Pagina 228–229



**Schlüter®-SHOWERPROFILE-S**  
Pagina 230–231



**Schlüter®-SHOWERPROFILE-R**  
Pagina 232



**Schlüter®-SHOWERPROFILE-WS/-WSK**  
Pagina 233–234



**Schlüter®-DECO-SG/-SGC**  
Pagina 98, 235–236



**Schlüter®-KERDI-DRAIN (binnen)**  
Pagina 237–245



**Schlüter®-KERDI-DRAIN toebehoren**  
Pagina 246–248



**Schlüter®-KERDI-DRAIN sets (binnen)**  
Pagina 249



**Schlüter®-KERDI-SHOWER-SK/-SKB**  
Pagina 250



**Schlüter®-KERDI-SHOWER-T/-TS/-TT**  
Pagina 251–252



**Schlüter®-SHELF-E-S1**  
Pagina 254–255



**Schlüter®-SHELF-E-S2**  
Pagina 256–257



**Schlüter®-SHELF-E-S3**  
Pagina 258–259



**Schlüter®-SHELF-N**  
Pagina 260–261



**Schlüter®-SHELF-W**  
Pagina 262–263

## PLAATSINGSONDERGROND VOOR TEGELS



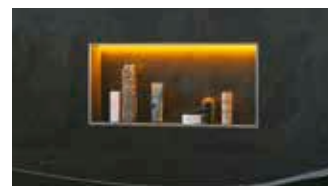
**Schlüter®-KERDI-BOARD**  
Pagina 267



**Schlüter®-KERDI-BOARD-W**  
Pagina 269



**Schlüter®-KERDI-BOARD-N**  
Pagina 270–271



**Schlüter®-KERDI-BOARD-NLT/-NLT-BR**  
Pagina 272–275



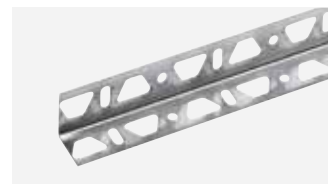
**Schlüter®-KERDI-BOARD-V**  
Pagina 276



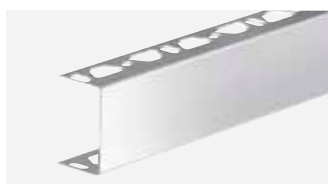
**Schlüter®-KERDI-BOARD-E**  
Pagina 276



**Schlüter®-KERDI-BOARD-U**  
Pagina 276



**Schlüter®-KERDI-BOARD-ZW**  
Pagina 278



**Schlüter®-KERDI-BOARD-ZC**  
Pagina 278



**Schlüter®-KERDI-BOARD-ZA**  
Pagina 279



**Schlüter®-KERDI-BOARD-ZB**  
Pagina 279



**Schlüter®-KERDI-BOARD toebehoren**  
Pagina 280



**Schlüter®-KERDI-BOARD-ZDK**  
Pagina 281



**Schlüter®-KERDI-BOARD-ZSA**  
Pagina 281



**Schlüter®-KERDI-BOARD-ZFP**  
Pagina 281

## BALKON- EN TERRASCONSTRUCTIES



**Schlüter®-BEKOTEC-DRAIN**  
Pagina 290



**Schlüter®-TROBA-PLUS**  
Pagina 291



**Schlüter®-TROBA-PLUS-G**  
Pagina 292



**Schlüter®-TROBA**  
Pagina 293



**Schlüter®-TROBA-ZFK**  
Pagina 293



**Schlüter®-TROBA-STELZ**  
Pagina 294



**Schlüter®-TROBA-LEVEL**  
Pagina 296–298



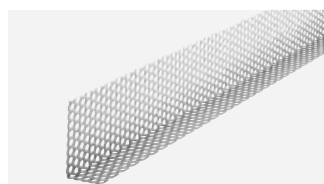
**Schlüter®-TROBA-LINE-TL**  
Pagina 299–300



**Schlüter®-TROBA-LINE-TLR**  
Pagina 300



**Schlüter®-TROBA-LINE-TLR-E**  
Pagina 301



**Schlüter®-TROBA-LINE-TLK-E**  
Pagina 302



**Schlüter®-TROBA-LINE-TL/H**  
Pagina 302



## BALKON- EN TERRASCONSTRUCTIES (VERVOLG)



Schlüter®-KERDI-DRAIN-SP-E  
Pagina 302



Schlüter®-KERDI-DRAIN (buiten)  
Pagina 303–308



Schlüter®-KERDI-DRAIN sets (buiten)  
Pagina 309



Schlüter®-BARA-RTK  
Pagina 311



Schlüter®-BARA-RTKE  
Pagina 312



Schlüter®-BARA-RTKEG  
Pagina 313



Schlüter®-BARA-RAK  
Pagina 315



Schlüter®-BARA-RAKE  
Pagina 316



Schlüter®-BARA-RAKEG  
Pagina 317



Schlüter®-BARA-RKK  
Pagina 318



Schlüter®-BARA-RW  
Pagina 319



Schlüter®-BARA-RKKE  
Pagina 320



Schlüter®-BARA-RKB  
Pagina 321



Schlüter®-BARA-RT  
Pagina 322



Schlüter®-BARA-RTC  
Pagina 323



Schlüter®-BARA-RK  
Pagina 324



Schlüter®-BARA-RWL  
Pagina 325



Schlüter®-BARA-RHA  
Pagina 325



Schlüter®-BARA-RKL  
Pagina 326–327



Schlüter®-BARA-HV  
Pagina 327



Schlüter®-BARA-RAP  
Pagina 328



Schlüter®-BARA-FAP  
Pagina 328



Schlüter®-BARA-RKLT  
Pagina 329



Schlüter®-BARA-RTP  
Pagina 330



Schlüter®-BARA-ESOT  
Pagina 331



Schlüter®-BARA-STU  
Pagina 331



Schlüter®-BARIN  
Pagina 332–333

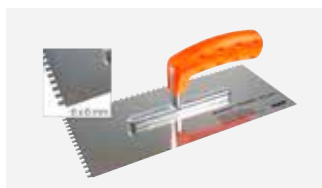
## VERWERKINGSTIPS



**Schlüter®-REMA**  
Pagina 336



**Schlüter®-RUMA**  
Pagina 336



**Schlüter®-TROWEL**  
Pagina 336



**Schlüter®-PROCUT-PSF**  
Pagina 337



**Schlüter®-PROCUT-TSM**  
Pagina 337



**Schlüter®-CLEAN-CP**  
Pagina 337





# Schlüter®-Systems

## Zo persoonlijk als onze klanten

Voor specifieke wensen zijn individuele oplossingen nodig. Schlüter-Systems biedt zijn klanten daarom talrijke mogelijkheden om projecten een eigen accent te geven. Van afvoergoten met persoonlijke gravure, profielen en planchetten met klantspecifieke coatings tot producten met een speciale print: veel van onze producten kunnen heel precies aan de wensen van ontwerpers en opdrachtgevers worden aangepast – niet alleen in grote series, maar ook in kleine oplages. Hebt u een project met specifieke wensen? De technisch adviseur van Schlüter-Systems laat u graag zien wat mogelijk is.





RAL-kleuren

MyDesign by Schlüter-Systems

16–24

Print

MyDesign by Schlüter-Systems

26–31

Gravure

My Schlüter®-KERDI-LINE

32–35





# MyDesign by Schlüter-Systems

## Profielen en SHELF exclusief in uw kleur

Schlüter-Systems biedt zijn klanten een breed spectrum van gekleurde coatings voor aluminium profielen aan, inclusief toebehoren en planchetten. Zo omvat bijv. het populaire Schlüter-TRENDLINE programma zeer genuanceerde kleurvarianten, waarmee in veel gevallen een discrete, qua kleur aan de tegelbekleding aangepaste randbescherming mogelijk is.

Toch kan het gebeuren dat ontwerpers of opdrachtgevers kleuren buiten het Schlüter-assortiment wensen. Dat kan bijv. het geval zijn, wanneer de corporate-design richtlijnen van bedrijven speciale kleuren voorschrijven of wanneer opdrachtgevers bijzondere ideeën willen uitvoeren.

Met MyDesign by Schlüter-Systems kunnen individuele kleurwensen worden gerealiseerd! Maak uw keuze uit maar liefst 190 tinten uit het RAL-Classic kleurenpalet om talrijke producten in de gewenste kleur te ontwerpen.

Op de volgende pagina's kunt u lezen welke producten geschikt zijn voor een individuele coating en hoe u uw bestelling kunt uitvoeren. Bij vragen over MyDesign by Schlüter-Systems staan onze technische adviseurs in de buitendienst en onze technische verkoopafdeling u graag met raad en daad bij. De contactgegevens vindt u snel op onze website. Wij verheugen ons op uw projecten in Schlüter-MyDesign.









# MyDesign by Schlüter-Systems

## Eenvoudig individueel bestellen

Welke producten voor uw MyDesign by Schlüter-Systems in RAL-kleuren in aanmerking komen, leest u op de volgende pagina's. Let op dat voor een individuele coating een eenmalig vast bedrag voor MyDesign per kleur wordt berekend. In deze kleur kunnen naar wens veel profielen, toebehoren en SHELF-planchetten uit het MyDesign programma worden gecoat. Het vaste bedrag voor MyDesign bedraagt € 358,75 per kleur.

Om de prijs van uw individueel te coaten MyDesign-producten te bepalen, volgt u de vier stappen onder het gedeelte "Prijs".

### Bestelling

In drie stappen naar het juiste artikelnummer:

- |  |                                 |
|--|---------------------------------|
| 1. Product uit het MyDesign programma selecteren                     | bijv. QUADDEC-AC (C / Q ...* A) |
| 2. Hoogte selecteren   in het Art.-Nr. aanvullen                     | bijv. 4,5 mm   C / Q 45 A       |
| 3. RAL-kleur selecteren (RAL-Classic) en bij de bestelling vermelden | bijv. RAL 6001                  |

Voor vragen of uw bestelling kunt u zich wenden tot uw verkoopmedewerker.

Gedetailleerde informatie vindt u op onze website: [qr.schluter-systems.nl/mydesign.aspx](http://qr.schluter-systems.nl/mydesign.aspx)

### Prijs

In vier stappen naar de juiste prijs:

- |  |                                   |
|--|-----------------------------------|
| 1. Selecteer de prijs van het gewenste product (profiel, toebehoren of planchet)**               |                                   |
| 2. MyDesign-meerprijs A   B  | € 3,24   € 6,47 per stuk of meter |
| 3. Vast bedrag voor MyDesign (eenmalig per kleur)  | € 358,75*                         |
| 4. Indien gewenst vindt u de toeslag voor de radiusperforatie/speciale hoeken op pagina 338–339. |                                   |

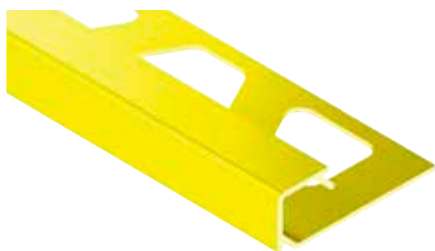
\* geen korting mogelijk

\*\* neem als referentie de prijs van het product met oppervlak AC

### Hulp bij de berekening

1. Product	2. Meerprijs	3. Vast bedrag	Prijs
<input type="text"/>	<input type="text"/>	<input type="text"/>	<input type="text"/>
<input type="text"/>	<input type="text"/>	<input type="text"/>	<input type="text"/>
<input type="text"/>	<input type="text"/>	<input type="text"/>	<input type="text"/>
<input type="text"/>	<input type="text"/>	<input type="text"/>	<input type="text"/>
<input type="text"/>	<input type="text"/>	<input type="text"/>	<input type="text"/>
<input type="text"/>	<input type="text"/>	<input type="text"/>	<input type="text"/>

## Afsluitprofiel | Hoek



## Schlüter®-QUADEC-AC



Alu. met kleurcoating  
 Profielen in lengte: 2,50 m/3,00 m, hoogte: 4,5 mm, 6 mm, 8 mm, 10 mm, 11 mm, 12,5 mm  
 Binnen-/buitenhoek 90° in hoogte: 4,5 mm, 6 mm, 8 mm, 10 mm, 11 mm, 12,5 mm

Uitvoering	Art.-No.	MyDesign-meerprijs
Profiel 2,50 m (4,5–12,5 mm)	C / Q ...* A	A
Profiel 3,00 m (6–12,5 mm)	C / Q ...* A/300	A
Profiel 2,50 m, radiusperforatie (4,5–12,5 mm)	C / R / Q ...* A	A
Profiel 3,00 m, radiusperforatie (6–12,5 mm)	C / R / Q ...* A/300	A
Buiten-/binnenhoek 90° (4,5–12,5 mm)	C / EV / Q ...* A	A

\* Art.-No. aanvullen met hoogte (bijv. C / Q 45 A)

Het complete productprogramma Schlüter-QUADEC-AC vindt u op pagina 63.

## Afsluitprofiel | Hoek



## Schlüter®-RONDEC-AC



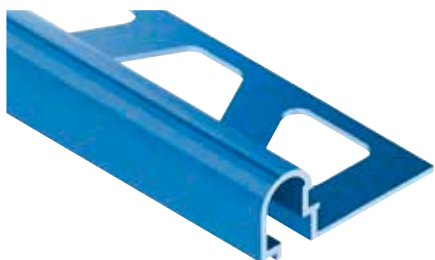
Alu. met kleurcoating  
 Profielen in lengte: 2,50 m/3,00 m, hoogte: 6 mm, 8 mm, 10 mm, 11 mm, 12,5 mm  
 Buitenhoek 90°, binnenhoek 90° in hoogte: 6 mm, 8 mm, 10 mm, 11 mm, 12,5 mm

Uitvoering	Art.-No.	MyDesign-meerprijs
Profiel 2,50 m (6–12,5 mm)	C / RO ...* A	A
Profiel 3,00 m (6–12,5 mm)	C / RO ...* A/300	A
Profiel 2,50 m, radiusperforatie (6–12,5 mm)	C / R / RO ...* A	A
Profiel 3,00 m, radiusperforatie (6–12,5 mm)	C / R / RO ...* A/300	A
Buitenhoek 90° (6–12,5 mm)	C / EV / RO ...* A	A
Binnenhoek 90° (6–12,5 mm)	C / IV / RO ...* A	A

\* Art.-No. aanvullen met hoogte (bijv. C / RO 60 A)

Het complete productprogramma Schlüter-RONDEC-AC vindt u op pagina 72 (profielen) en pagina 71 (hoeken).

## Afsluitprofiel



## Schlüter®-RONDEC-DB-AC

Alu. met kleurcoating  
 Profielen in lengte: 2,50 m

Uitvoering	Art.-No.	MyDesign-meerprijs
Profiel 2,50 m	C / DB 14 A	A

Het complete productprogramma Schlüter-RONDEC-DB vindt u op pagina 73.

## Afsluitprofiel | Hoek



## Schlüter®-JOLLY-AC



Alu. met kleurcoating  
 Profielen in lengte: 2,50 m, hoogte: 6 mm, 8 mm, 10 mm, 11 mm, 12,5 mm, 14 mm, 16 mm, 21 mm  
 Profielen in lengte: 3,00 m, hoogte: 6 mm, 8 mm, 10 mm, 11 mm, 12,5 mm  
 Buitenhoek 90° in hoogte: 6 mm, 8 mm, 10 mm, 11 mm, 12,5 mm, 14 mm, 16 mm, 21 mm

Uitvoering	Art.-No.	MyDesign-meerprijs
Profiel 2,50 m (6–21 mm)	C / J ...* A	A
Profiel 3,00 m (6–12,5 mm)	C / J ...* A/300	A
Profiel 2,50 m, radiusperforatie (6–21 mm)	C / R / J ...* A	A
Profiel 3,00 m, radiusperforatie (6–12,5 mm)	C / R / J ...* A/300	A
Buitenhoek 90° (6–21 mm)	C / EV / J ...* A	A

\* Art.-No. aanvullen met hoogte (bijv. C / J 60 A)

Het complete productprogramma Schlüter-JOLLY-AC vindt u op pagina 82.





## Afsluitprofiel | Hoek



### Schlüter®-FINEC-SQ-AC

Alu. met kleurcoating  
 Profielen in lengte: 2,50 m, hoogte: 11 mm, 12,5 mm, 15 mm  
 Binnen-/buitenhoek 90° in hoogte: 4,5 mm

Uitvoering	Art.-No.	MyDesign-meerprijs
Profiel 2,50 m (11–15 mm)	C / FSQ ... * A	A
Buiten-/binnenhoek 90° (4,5 mm)	C / EV / Q 45 A	A

\* Art.-No. aanvullen met hoogte (bijv. C / F SQ 110 A)  
 Het complete productprogramma Schlüter-FINEC-SQ vindt u op pagina 85–86.

## Afsluitprofiel | Hoekset



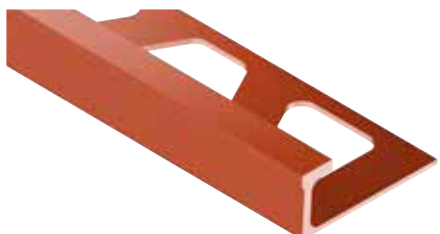
### Schlüter®-FINEC-AC

Alu. met kleurcoating  
 Profielen in lengte: 2,50 m, hoogte: 2,5 mm, 4,5 mm, 7 mm, 9 mm, 11 mm, 12,5 mm  
 Hoekset in hoogte: 2,5 mm, 4,5 mm, 7 mm, 9 mm, 11 mm, 12,5 mm

Uitvoering	Art.-No.	MyDesign-meerprijs
Profiel 2,50 m (2,5–12,5 mm)	C / F ...* A	A
Hoekset (2,5–12,5 mm)	C / ES / F ...* A	A

\* Art.-No. aanvullen met hoogte (bijv. C / F 25 A)  
 Het complete productprogramma Schlüter-FINEC-A vindt u op pagina 90.

## Afsluitprofiel



### Schlüter®-DECO-AC

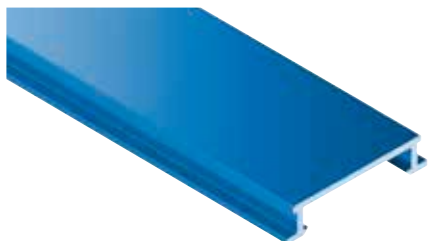


Alu. met kleurcoating  
 Profielen in lengte: 2,50 m, hoogte: 8 mm, 10 mm, 12,5 mm

Uitvoering	Art.-No.	MyDesign-meerprijs
Profiel 2,50 m (8–12,5 mm)	C / A ...* D	A
Profiel 2,50 m, radiusperforatie (8–12,5 mm)	C / R / A ...* D	A

\* Art.-No. aanvullen met hoogte (bijv. C / A 80 D)  
 Het complete productprogramma Schlüter-DECO vindt u op pagina 91.

## Sierstrip



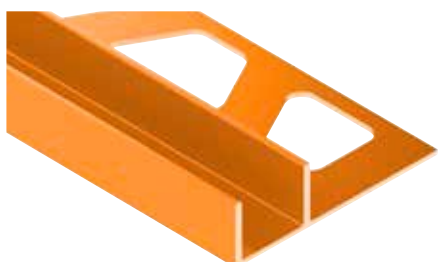
### Schlüter®-DESIGNLINE-AC

Alu. met kleurcoating  
 Profielen in lengte: 2,50 m

Uitvoering	Art.-No.	MyDesign-meerprijs
Profiel 2,50 m	C / DL 625 A	A

Het complete productprogramma Schlüter-DESIGNLINE vindt u op pagina 96.

## Opnameprofiel



### Schlüter®-DECO-SG-AC

Alu. met kleurcoating, breedte = 12 mm / 15 mm  
 Profielen in lengte: 2,50 m, hoogte: 8 mm, 10 mm, 11 mm, 12,5 mm

Uitvoering	Art.-No.	MyDesign-meerprijs
Profiel 2,50 m (8–12,5 mm), breedte 12 mm	C / SG ...* A 12	A
Profiel 2,50 m (8–12,5 mm), breedte 15 mm	C / SG ...* A 15	A

\* Art.-No. aanvullen met hoogte (bijv. C / SG 80 A 12)  
 Het complete productprogramma Schlüter-DECO-SG vindt u op pagina 98.



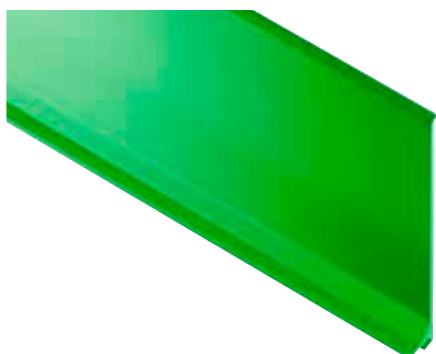
**YELLOW**

**Y**

**HOTELS**



## Plintprofiel | Hoek | Eindkapje | Verbindingsstuk



### Schlüter®-DESIGNBASE-SL-AC

Alu. met kleurcoating  
 Profielen in lengte: 2,50 m, hoogte: 60 mm, 80 mm  
 Buitenhoek 90°, binnenhoek 90°, eindkapje links, eindkapje rechts, verbindingsstuk in hoogte: 60 mm, 80 mm

Uitvoering	Art.-No.	MyDesign-meerprijs
Profiel 2,50 m (60–80 mm)	C / DB SL ...* A	A
Buitenhoek 90° (60–80 mm)	C / ED / DB SL ...* A	A
Binnenhoek 90° (60–80 mm)	C / ID / DB SL ...* A	A
Eindkapje links (60–80 mm)	C / EL / DB SL ...* A	A
Eindkapje rechts (60–80 mm)	C / ER / DB SL ...* A	A
Verbindingsstuk (60–80 mm)	C / V / DB SL ...* A	A

\* Art.-No. aanvullen met hoogte (bijv. C / DB SL 60 A)

Het complete productprogramma Schlüter-DESIGNBASE-SL-A vindt u op pagina 100–101.

## Planchet



### Schlüter®-SHELF-E-S1-AC

Alu. met kleurcoating  
 Planchet in de designs: FLORAL, CURVE, PURE, SQUARE, WAVE

Uitvoering	Art.-No.	MyDesign-meerprijs
Design FLORAL	C / SE S1 D5 A	B
Design CURVE	C / SE S1 D6 A	B
Design PURE	C / SE S1 D7 A	B
Design SQUARE	C / SE S1 D3 A	B
Design WAVE	C / SE S1 D10 A	B

Het complete productprogramma Schlüter-SHELF-E-S1 vindt u op pagina 254–255.

## Planchet



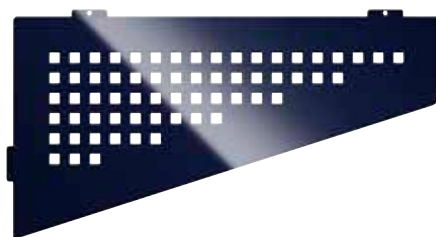
### Schlüter®-SHELF-E-S2-AC

Alu. met kleurcoating  
 Planchet in de designs: FLORAL, CURVE, PURE, SQUARE, WAVE

Uitvoering	Art.-No.	MyDesign-meerprijs
Design FLORAL	C / SE S2 D5 A	B
Design CURVE	C / SE S2 D6 A	B
Design PURE	C / SE S2 D7 A	B
Design SQUARE	C / SE S2 D3 A	B
Design WAVE	C / SE S2 D10 A	B

Het complete productprogramma Schlüter-SHELF-E-S2 vindt u op pagina 256–257

## Planchet



### Schlüter®-SHELF-E-S3-AC

Alu. met kleurcoating  
 Planchet in de designs: FLORAL, CURVE, PURE, SQUARE, WAVE

Uitvoering	Art.-No.	MyDesign-meerprijs
Design FLORAL	C / SE S3 D5 A	B
Design CURVE	C / SE S3 D6 A	B
Design PURE	C / SE S3 D7 A	B
Design SQUARE	C / SE S3 D3 A	B
Design WAVE	C / SE S3 D10 A	B

Het complete productprogramma Schlüter-SHELF-E-S3 vindt u op pagina 258–259.

## Planchet



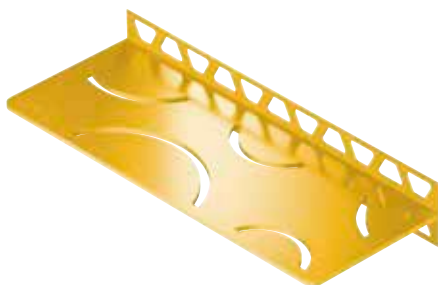
## Schlüter®-SHELF-N-S1-AC

Alu. met kleurcoating  
Planchet in de designs: FLORAL, CURVE, PURE, SQUARE, WAVE

Uitvoering	Art.-No.	MyDesign-meerprijs
Design FLORAL	C / SN S1 D5 A	B
Design CURVE	C / SN S1 D6 A	B
Design PURE	C / SN S1 D7 A	B
Design SQUARE	C / SN S1 D3 A	B
Design WAVE	C / SN S1 D10 A	B

Het complete productprogramma Schlüter-SHELF-N vindt u op pagina 260–261.

## Planchet



## Schlüter®-SHELF-W-S1-AC

Alu. met kleurcoating  
Planchet in de designs: FLORAL, CURVE, PURE, SQUARE, WAVE

Uitvoering	Art.-No.	MyDesign-meerprijs
Design FLORAL	C / SW S1 D5 A	B
Design CURVE	C / SW S1 D6 A	B
Design PURE	C / SW S1 D7 A	B
Design SQUARE	C / SW S1 D3 A	B
Design WAVE	C / SW S1 D10 A	B

Het complete productprogramma Schlüter-SHELF-W vindt u op pagina 262–263.

## Randprofiel | Hoek | Verbindingsstuk



## Schlüter®-BARA-RAK

Alu. met kleurcoating  
Profielen in lengte: 2,50 m  
Buitenhoek 90°, buitenhoek 135°, binnenhoek 90°, verbindingsstuk

Uitvoering	Art.-No.	MyDesign-meerprijs
Profiel 2,50 m	C / RAK 50 A	B
Buitenhoek 90°	C / E90 / RAK 50 A	B
Buitenhoek 135°	C / E135 / RAK 50 A	B
Speciale buitenhoek	C / ESO / RAK 50 A	B
Binnenhoek 90°	C / I90 / RAK 50 A	B
Speciale binnenhoek	C / ISO / RAK 50 A	B
Verbindingsstuk	C / V / RT 30 A	A

Het complete productprogramma Schlüter-BARA-RAK vindt u op pagina 315.

## Randprofiel | Hoek | Verbindingsstuk



## Schlüter®-BARA-RAKE

Alu. met kleurcoating  
Profielen in lengte: 2,50 m, hoogte: 10 mm, 15 mm, 18 mm, 21 mm  
Buitenhoek 90°, buitenhoek 135°, binnenhoek 90°, verbindingsstuk in hoogte: 10 mm, 15 mm, 18 mm, 21 mm

Uitvoering	Art.-No.	MyDesign-meerprijs
Profiel 2,50 m (10–21 mm)	C / RAKE ...* A	B
Buitenhoek 90° (10–21 mm)	C / E90 / RAKE ...* A	B
Buitenhoek 135° (10–21 mm)	C / E135 / RAKE ...* A	B
Speciale buitenhoek (10–21 mm)	C / ESO / RAKE ...* A	B
Binnenhoek 90° (10–21 mm)	C / I90 / RAKE ...* A	B
Speciale binnenhoek (10–21 mm)	C / ISO / RAKE ...* A	B
Verbindingsstuk (10–21 mm)	C / V / RTKE ...* A	A

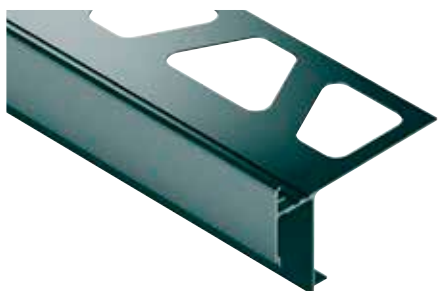
\* Art.-No. aanvullen met hoogte (bijv. C / RAKE 10 A)

Het complete productprogramma Schlüter-BARA-RAKE vindt u op pagina 316.





## Randprofiel | Hoek | Verbindingsstuk



### Schlüter®-BARA-RAKEG

Alu. met kleurcoating

Profielen in lengte: 2,50 m, hoogte: 4 mm, 10 mm, 15 mm, 18 mm, 21 mm

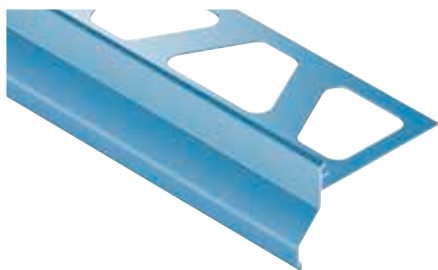
Buitenhoek 90°, buitenhoek 135°, binnenhoek 90°, verbindingsstuk in hoogte: 4 mm, 10 mm, 15 mm, 18 mm, 21 mm

Uitvoering	Art.-No.	MyDesign-meerprijs
Profiel 2,50 m (4–21 mm)	C / RAKEG ...* A	B
Buitenhoek 90° (4–21 mm)	C / E90 / RAKEG ...* A	B
Buitenhoek 135° (4–21 mm)	C / E135 / RAKEG ...* A	B
Speciale buitenhoek (4–21 mm)	C / ESO / RAKEG ...* A	B
Binnenhoek 90° (4–21 mm)	C / I90 / RAKEG ...* A	B
Speciale binnenhoek (4–21 mm)	C / ISO / RAKEG ...* A	B
Verbindingsstuk (4–21 mm)	C / V / RTKE ...* A	A

\* Art.-No. aanvullen met hoogte (bijv. C / RAKEG 4 A)

Het complete productprogramma Schlüter-BARA-RAKEG vindt u op pagina 317.

## Randprofiel | Hoek | Verbindingsstuk



### Schlüter®-BARA-RKK

Alu. met kleurcoating

Profielen in lengte: 2,50 m, hoogte: 10 mm, 15 mm, 18 mm

Buitenhoek 90°, buitenhoek 135°, binnenhoek 90°, verbindingsstuk in hoogte: 10 mm, 15 mm, 18 mm

Uitvoering	Art.-No.	MyDesign-meerprijs
Profiel 2,50 m (10–18 mm)	C / RKK ...* A	B
Buitenhoek 90° (10–18 mm)	C / E90 / RKK ...* A	B
Buitenhoek 135° (10–18 mm)	C / E135 / RKK ...* A	B
Speciale buitenhoek (10–18 mm)	C / ESO / RKK ...* A	B
Binnenhoek 90° (10–18 mm)	C / I90 / RKK ...* A	B
Speciale binnenhoek (10–18 mm)	C / ISO / RKK ...* A	B
Verbindingsstuk (10–18 mm)	C / V / RKK ...* A	A

\* Art.-No. aanvullen met hoogte (bijv. C / RKK 10 A)

Het complete productprogramma Schlüter-BARA-RKK vindt u op pagina 318.

## Randprofiel | Hoek | Verbindingsstuk



### Schlüter®-BARA-RKKE

Alu. met kleurcoating

Profielen in lengte: 2,50 m, hoogte: 8 mm, 10 mm, 15 mm, 18 mm, 21 mm, 23 mm

Buitenhoek 90°, buitenhoek 135°, binnenhoek 90°,  
verbindingsstuk in hoogte: 8 mm, 10 mm, 15 mm, 18 mm, 21 mm, 23 mm

Uitvoering	Art.-No.	MyDesign-meerprijs
Profiel 2,50 m (8–23 mm)	C / RKKE ...* A	B
Buitenhoek 90° (8–23 mm)	C / E90 / RKKE ...* A	B
Buitenhoek 135° (8–23 mm)	C / E135 / RKKE ...* A	B
Speciale buitenhoek (8–23 mm)	C / ESO / RKKE ...* A	B
Binnenhoek 90° (8–23 mm)	C / I90 / RKKE ...* A	B
Speciale binnenhoek (8–23 mm)	C / ISO / RKKE ...* A	B
Verbindingsstuk (8–23 mm)	C / V / RKK ...* A	A

\* Art.-No. aanvullen met hoogte (bijv. C / RKKE 8 A)

Het complete productprogramma Schlüter-BARA-RKKE vindt u op pagina 320.



## Randprofiel | Hoek | Verbindingsstuk

**Schlüter®-BARA-RKB**

Alu. met kleurcoating  
 Profielen in lengte: 2,50 m  
 Buitenhoek 90°, buitenhoek 135°, binnenhoek 90°, verbindingsstuk

Uitvoering	Art.-No.	MyDesign-meerprijs
Profiel 2,50 m	C / RKB 3 A	B
Buitenhoek 90°	C / E90 / RKB 3 A	B
Buitenhoek 135°	C / E135 / RKB 3 A	B
Speciale buitenhoek	C / ESO / RKB 3 A	B
Binnenhoek 90°	C / I90 / RKB 3 A	B
Speciale binnenhoek	C / ISO / RKB 3 A	B
Verbindingsstuk	C / V / RKB 3 A	A

Het complete productprogramma Schlüter-BARA-RKB vindt u op pagina 321.

## Randprofiel | Hoek | Verbindingsstuk

**Schlüter®-BARA-RK**

Alu. met kleurcoating  
 Profielen in lengte: 2,50 m  
 Buitenhoek 90°, buitenhoek 135°, binnenhoek 90°, verbindingsstuk

Uitvoering	Art.-No.	MyDesign-meerprijs
Profiel 2,50 m	C / RK 65 A	B
Buitenhoek 90°	C / E90 / RK 65 A	B
Buitenhoek 135°	C / E135 / RK 65 A	B
Speciale buitenhoek	C / ESO / RK 65 A	B
Binnenhoek 90°	C / I90 / RK 65 A	B
Speciale binnenhoek	C / ISO / RK 65 A	B
Verbindingsstuk	C / V / RK 65 A	A

Het complete productprogramma Schlüter-BARA-RK vindt u op pagina 324.

## Randprofiel | Hoek | Verbindingsstuk

**Schlüter®-BARA-RKL**

Alu. met kleurcoating  
 Profielen in lengte: 2,50 m, hoogte: 30 mm, 35 mm, 40 mm, 50 mm, 75 mm  
 Buitenhoek 90°, buitenhoek 135°, binnenhoek 90°,  
 verbindingsstuk in hoogte: 30 mm, 35 mm, 40 mm, 50 mm, 75 mm

Uitvoering	Art.-No.	MyDesign-meerprijs
Profiel 2,50 m (30–75 mm)	C / RKL ... * A	B
Buitenhoek 90° (30–75 mm)	C / E90 / RKL ... * A	B
Buitenhoek 135° (30–75 mm)	C / E135 / RKL ... * A	B
Speciale buitenhoek (30–75 mm)	C / ESO / RKL ... * A	B
Binnenhoek 90° (30–75 mm)	C / I90 / RKL ... * A	B
Speciale binnenhoek (30–75 mm)	C / ISO / RKL ... * A	B
Verbindingsstuk (30–75 mm)	C / V / RKL ... * A	A

\* Art.-No. aanvullen met hoogte (bijv. C / RKL 30 A)

Het complete productprogramma Schlüter-BARA-RKL vindt u op pagina 326–327.



# MyDesign by Schlüter-Systems

## Wij printen uw favoriete design op profielen

De nieuwste printtechniek is tegenwoordig een bepalende factor bij de tegelproductie en maakt een authentieke houtlook of marmerlook mogelijk. Dit biedt ontwerpers de kans om hun creativiteit de vrije loop te laten.

Schlüter-Systems heeft met het structuur-gecoate TRENDLINE assortiment al de best mogelijke onderlinge afstemming tussen profiel en tegel bereikt. Met MyDesign by Schlüter-Systems gaan we nog een stap verder: favoriete profielen kunnen door middel van de modernste printtechniek optimaal aan het design van de tegels worden aangepast. Zo wordt een effectieve randbescherming perfect en harmonisch in het tegeloppervlak geïntegreerd.

Als u daarnaast in de plinten of wanden een accent wilt aanbrengen, is het door deze technologie mogelijk om een motief naar wens (bijv. een dessin, bedrijfslogo, enz.) te laten printen en zo een persoonlijke touch toe te voegen.

Welke manier u ook kiest, met de innovatieve printtechniek van Schlüter-Systems bent u qua design van bekledingen met profielen iedereen een stap voor.

Op de volgende pagina's kunt u lezen welke profielen geschikt zijn voor een individuele opdruk en hoe u uw bestelling kunt uitvoeren. Bij vragen over MyDesign by Schlüter-Systems staan onze technische adviseurs in de buitendienst en onze technische verkoopafdeling u graag met raad en daad bij. De contactgegevens vindt u snel op onze website. Wij verheugen ons op uw projecten in Schlüter-MyDesign.







# MyDesign by Schlüter-Systems

## Eenvoudig individueel bestellen

Welke producten voor uw MyDesign by Schlüter-Systems met een individuele print in aanmerking komen, leest u op de volgende pagina's. Let op dat voor een individuele print een eenmalig vast bedrag voor MyDesign per motief wordt berekend. Met dit motief kunnen naar wens veel profielen en toebehoren uit het MyDesign programma van een print worden voorzien. Het vaste bedrag voor MyDesign bedraagt € 461,25 per motief.

Om de prijs van uw MyDesign-producten met individuele opdruk te bepalen, volgt u de vier stappen onder het gedeelte "Prijs".

### Bestelling

In vijf stappen naar het gewenste product:

- |  |                                  |
|--|----------------------------------|
| 1. Profiel uit het MyDesign programma selecteren               | bijv. QUADDEC-AC (C / Q ...* DP) |
| 2. Hoogte selecteren   in het Art.-Nr. aanvullen               | bijv. 6 mm   C / Q 60 DP         |
| 3. Hoek, eindkapje of verbindingstuk selecteren                | bijv. C / EV / Q 60 DP           |
| 4. Stuur een tegelmonster of een bestand met gewenst motief op |                                  |
| 5. Geef de drukproef vrij                                      |                                  |

Voor vragen of uw bestelling kunt u zich wenden tot uw verkoopmedewerker.  
Gedetailleerde informatie vindt u op onze website: [qr.schluter-systems.nl/mydesign.aspx](http://qr.schluter-systems.nl/mydesign.aspx)

### Prijs

In vier stappen naar de juiste prijs:

- |  |                              |
|--|------------------------------|
| 1. Selecteer de prijs van het gewenste profiel**                 |                              |
| 2. MyDesign-meerprijs C  | € 16,91 per meter            |
| 3. Prijs van de gewenste hoeken / eindkapjes / verbindingstukken | vast bedrag € 29,21 per stuk |
| 4. Vast bedrag voor MyDesign (eenmalig per motief)               | € 461,25*                    |

\* geen korting mogelijk

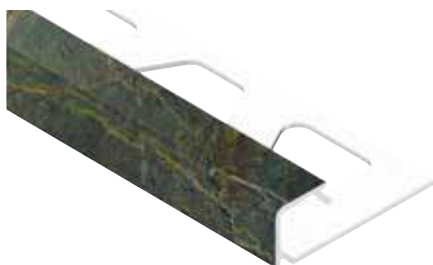
\*\* neem als referentie de prijs van het product met oppervlak AC

### Hulp bij de berekening

1. Product	2. Meerprijs	3. Toebehoren	4. Vast bedrag	Prijs
<input type="text"/>	<input type="text"/>	<input type="text"/>	<input type="text"/>	<input type="text"/>
<input type="text"/>	<input type="text"/>	<input type="text"/>	<input type="text"/>	<input type="text"/>
<input type="text"/>	<input type="text"/>	<input type="text"/>	<input type="text"/>	<input type="text"/>
<input type="text"/>	<input type="text"/>	<input type="text"/>	<input type="text"/>	<input type="text"/>
<input type="text"/>	<input type="text"/>	<input type="text"/>	<input type="text"/>	<input type="text"/>
<input type="text"/>	<input type="text"/>	<input type="text"/>	<input type="text"/>	<input type="text"/>



## Afsluitprofiel | Hoek

**Schlüter®-QUADEC-AC**

Alu. met kleurcoating

Profielen in lengte: 2,50 m/3,00 m, hoogte: 6 mm, 8 mm, 10 mm, 11 mm, 12,5 mm

Buiten-/binnenhoek 90° in hoogte: 6 mm, 8 mm, 10 mm, 11 mm, 12,5 mm

Uitvoering	Art.-No.	MyDesign-meerprijs
Profiel 2,50 m (6–12,5 mm)	C / Q ...* DP	C
Profiel 3,00 m (6–12,5 mm)	C / Q ...* DP/300	C
Buiten-/binnenhoek 90° (6–12,5 mm)	C / EV / Q ...* DP	Vast bedrag

\* Art.-No. aanvullen met hoogte (bijv. C / Q 60 DP)

Het complete productprogramma Schlüter-QUADEC-AC vindt u op pagina 63.

## Afsluitprofiel | Hoek

**Schlüter®-RONDEC-AC**

Alu. met kleurcoating

Profielen in lengte: 2,50 m/3,00 m, hoogte: 6 mm, 8 mm, 10 mm, 11 mm, 12,5 mm

Buitenhoek 90°, binnenhoek 90° in hoogte: 6 mm, 8 mm, 10 mm, 11 mm, 12,5 mm

Uitvoering	Art.-No.	MyDesign-meerprijs
Profiel 2,50 m (6–12,5 mm)	C / RO ...* DP	C
Profiel 3,00 m (6–12,5 mm)	C / RO ...* DP/300	C
Buitenhoek 90° (6–12,5 mm)	C / EV / ...* DP	Vast bedrag
Binnenhoek 90° (6–12,5 mm)	C / IV / RO ...* DP	Vast bedrag

\* Art.-No. aanvullen met hoogte (bijv. C / RO 60 DP)

Het complete productprogramma Schlüter-RONDEC-AC vindt u op pagina 72 (profielen) en pagina 71 (hoeken).

## Afsluitprofiel | Hoek

**Schlüter®-JOLLY-AC**

Alu. met kleurcoating

Profielen in lengte: 2,50 m/3,00 m, hoogte: 6 mm, 8 mm, 10 mm, 11 mm, 12,5 mm

Buitenhoek 90° in hoogte: 6 mm, 8 mm, 10 mm, 11 mm, 12,5 mm

Uitvoering	Art.-No.	MyDesign-meerprijs
Profiel 2,50 m (6–12,5 mm)	C / J ...* DP	C
Profiel 3,00 m (6–12,5 mm)	C / J ...* DP/300	C
Buitenhoek 90° (6–12,5 mm)	C / EV / J ...* DP	Vast bedrag

\* Art.-No. aanvullen met hoogte (bijv. C / J 60 DP)

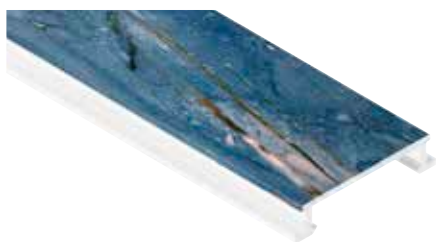
Het complete productprogramma Schlüter-JOLLY-AC vindt u op pagina 82.

## Individueel en robuust

De kwaliteit van onze geprinte profielen wordt voortdurend gecontroleerd. Met slijtage-, buig- en snijtests, UV-bestendigheid, temperatuurwisseling of belasting door zout water of chemische stoffen: wij zorgen ervoor dat onze MyDesign-profielen aan de hoogste eisen voldoen.



## Sierstrip



### Schlüter®-DESIGNLINE-AC

Alu. met kleurcoating  
Profielen in lengte: 2,50 m

Uitvoering	Art.-No.	MyDesign-meerprijs
Profiel 2,50 m	C / DL 625 DP	C

Het complete productprogramma Schlüter-DESIGNLINE vindt u op pagina 96.

## Plintprofiel | Hoek | Eindkapje | Verbindingsstuk



### Schlüter®-DESIGNBASE-SL-AC

Alu. met kleurcoating  
Profielen in lengte: 2,50 m, hoogte: 60 mm  
Buitenhoek 90°, binnenhoek 90°, eindkapje links, eindkapje rechts, verbindingsstuk in hoogte: 60 mm

Uitvoering	Art.-No.	MyDesign-meerprijs
Profiel 2,50 m (60 mm)	C / DB SL 60 DP	C
Buitenhoek 90° (60 mm)	C / ED / DB SL 60 DP	Vast bedrag
Binnenhoek 90° (60 mm)	C / ID / DB SL 60 DP	Vast bedrag
Eindkapje links (60 mm)	C / EL / DB SL 60 DP	Vast bedrag
Eindkapje rechts (60 mm)	C / ER / DB SL 60 DP	Vast bedrag
Verbindingsstuk (60 mm)	C / V / DB SL 60 DP	Vast bedrag

Het complete productprogramma Schlüter-DESIGNBASE-SL-A vindt u op pagina 100–101.

## Afsluitprofiel | Hoek



### Schlüter®-RONDEC-STEP-AC

Alu. met kleurcoating  
Profielen in lengte: 2,50 m, hoogte: 8 mm, 10 mm, 12,5 mm  
Buitenhoek 90°, buitenhoek 135°, binnenhoek 90°, binnenhoek 135° in hoogte: 8 mm, 10 mm, 12,5 mm

Uitvoering	Art.-No.	MyDesign-meerprijs
Profiel 2,50 m (8–12,5 mm)	C / RS ...* DP 39	C
Buitenhoek 90° (8–12,5 mm)	C / E90 RS ...* DP 39	Vast bedrag
Buitenhoek 135° (8–12,5 mm)	C / E135 RS ...* DP 39	Vast bedrag
Binnenhoek 90° (8–12,5 mm)	C / I90 RS ...* DP 39	Vast bedrag
Binnenhoek 135° (8–12,5 mm)	C / I135 RS ...* DP 39	Vast bedrag

\* Art.-No. aanvullen met hoogte (bijv. C / RS 80 DP 39)

Het complete productprogramma Schlüter-RONDEC-STEP vindt u op pagina 104.

## Holplintprofiel | Hoek | Eindkapje

**Schlüter®-DILEX-AHK-AC**

Alu. met kleurcoating

Profielen in lengte: 2,50 m, hoogte: 8 mm, 10 mm, 12,5 mm

Buitenhoek 90°, buitenhoek 135°, binnenhoek 90°, binnenhoek 135°, eindkapje

Uitvoering	Art.-No.	MyDesign-meerprijs
Profiel 2,50 m (8–12,5 mm)	C / AHK 1S ...* DP	C
Buitenhoek 90° (RONDEC-aansluiting)	C / E90 / AHK 1S / DP	Vast bedrag
Buitenhoek 90° (QUADEC-aansluiting)	C / E90 Q / AHK 1S / DP	Vast bedrag
Buitenhoek 135°	C / E135 / AHK 1S / DP	Vast bedrag
Binnenhoek 90°	C / I90 / AHK 1S / DP	Vast bedrag
Binnenhoek 135°	C / I135 / AHK 1S / DP	Vast bedrag
Eindkapje	C / E / AHK 1S / DP	Vast bedrag

\* Art.-No. aanvullen met hoogte (bijv. C / AHK 1S 80 DP)

Het complete productprogramma Schlüter-DILEX-AHK vindt u op pagina 149–150.

## Holplintprofiel | Hoek | Eindkapje

**Schlüter®-DILEX-AHKA-AC**

Alu. met kleurcoating

Profielen in lengte: 2,50 m, hoogte: 8 mm, 10 mm, 12,5 mm, 15 mm

Buitenhoek 90°, buitenhoek 135°, binnenhoek 90°, binnenhoek 135°, eindkapje links, eindkapje rechts

Uitvoering	Art.-No.	MyDesign-meerprijs
Profiel 2,50 m (8–15 mm)	C / AHKA ...* DP	C
Buitenhoek 90°	C / E90 / AHKA / DP	Vast bedrag
Buitenhoek 135°	C / E135 / AHKA / DP	Vast bedrag
Binnenhoek 90°	C / I90 / AHKA / DP	Vast bedrag
Binnenhoek 135°	C / I135 / AHKA / DP	Vast bedrag
Eindkapje links	C / EL / AHKA / DP	Vast bedrag
Eindkapje rechts	C / ER / AHKA / DP	Vast bedrag

\* Art.-No. aanvullen met hoogte (bijv. C / AHKA 80 DP)

Het complete productprogramma Schlüter-DILEX-AHKA vindt u op pagina 150–151.



# My Schlüter®-KERDI-LINE

## Individuele gravure op rooster en frame

Naast de gekleurde coatings en prints uit het aanbod van MyDesign by Schlüter-Systems biedt de gravure nog een mogelijkheid om Schlüter-producten te personaliseren. Met de moderne lasermethode kunnen roestvaststalen roosters en frames uit het KERDI-LINE programma van een gravure worden voorzien. Zet accenten in uw ontwerp met tekens, afbeeldingen of teksten, onderstreep de identiteit van uw merk of zorg 's ochtends voor een glimlach.

Het hotel die de gasten onder de douche eraan wil herinneren waar ze zich thuis voelen; de vakman die naast de fabrikant in herinnering wil blijven; de ouders die hun kinderen elke ochtend vriendelijk willen begroeten. Met Schlüter-KERDI-LINE kunt u uw douche personaliseren. Ontdek de mogelijkheden.





**YOUR  
BRAND**





# My Schlüter®-KERDI-LINE

## Eenvoudig individueel bestellen

Welke producten voor uw individuele My Schlüter-KERDI-LINE gravure in aanmerking komen, leest u op de volgende pagina. Met My Schlüter-KERDI-LINE kunt u het rooster en/of frame van uw lijnafvoergoot KERDI-LINE-A/-B/-C met een gravure personaliseren.

Op de pagina hiernaast vindt u de toeslagen voor het graveren die passen bij de rooster-/framecombinaties op pagina 218–219.

Om de prijs van uw individuele gravure te bepalen, volgt u de twee stappen onder het gedeelte “Prijs”.



## Bestelling

**In drie stappen naar het juiste artikelnummer:**

1. Product uit het My KERDI-LINE programma selecteren
2. Gewenste gravure selecteren
3. Vul Art.-Nr. aan met type gravure

bijv. KERDI-LINE-A (KLA 19 EB 100)

bijv. oppervlakte gravure (G1)

bijv. KLA 19 EB 100 G1

Voor vragen of uw bestelling kunt u zich wenden tot uw verkoopmedewerker.

## Prijs

**In twee stappen naar de juiste prijs:**

1. Selecteer de prijs van de gewenste rooster-/framecombinatie
2. Selecteer de My KERDI-LINE toeslag

### Opmerking:

My Schlüter-KERDI-LINE gravures zijn niet mogelijk op hoogglans gepolijste of kleurgecoate roosters/frames, noch op Schlüter-KERDI-LINE-STYLE roosters.

## Rooster-/framecombinatie



## Schlüter®-KERDI-LINE-A 19 mm

met oppervlakte gravure alleen op het rooster (G1)

Art.-No.	Toeslag € / St.
...* G1	<b>60,01</b>

met getinte gravure alleen op het rooster (G2)

Art.-No.	Toeslag € / St.
...* G2	<b>73,37</b>

met raster gravure alleen op het rooster (G3)

Art.-No.	Toeslag € / St.
...* G3	<b>40,02</b>

met oppervlakte gravure op rooster + raster gravure op frame (G1R)

Art.-No.	Toeslag € / St.
...* G1R	<b>96,71</b>

met getinte gravure op rooster + raster gravure op frame (G2R)

Art.-No.	Toeslag € / St.
...* G2R	<b>110,05</b>

met raster gravure op rooster en frame (G3R)

Art.-No.	Toeslag € / St.
...* G3R	<b>76,70</b>

met raster gravure alleen op het frame (GR)

Art.-No.	Toeslag € / St.
...* GR	<b>38,72</b>

\* Art.-No. aanvullen  
(bijv. KLA 19 EB 70 G1R)

## Schlüter®-KERDI-LINE-B 19 mm

met raster gravure alleen op het frame (GR)

Art.-No.	Toeslag € / St.
...* GR	<b>38,72</b>

## Schlüter®-KERDI-LINE-C 19 mm

met raster gravure alleen op het frame (GR)

Art.-No.	Toeslag € / St.
...* GR	<b>38,72</b>







# Schlüter-profielen

## Bekledingsafsluitingen op de vloer

De afsluitprofielen, zoals de originele Schlüter-SCHIENE, grenzen tegel- en natuursteenbekledingen af en beschermen de buitenranden ervan tegen mechanische beschadigingen. Schlüter-RENO-profielen creëren een traploze overgang met alle aangrenzende vloerbekledingen. Onze afsluitprofielen zijn op deze wijze de "finishing touch" van de vloerbekleding.







## Afsluitprofielen

Schlüter®-SCHIENE	39
Schlüter®-SCHIENE-TS	40
Schlüter®-SCHIENE-A	42
Schlüter®-SCHIENE-AC	43
Schlüter®-SCHIENE-ES	44
Schlüter®-SCHIENE-BASIC	45
Schlüter®-SCHIENE-V	45

## Overgangsprofielen

Schlüter®-RENO-TK	46
Schlüter®-RENO-V	47
Schlüter®-RENO-VT	48
Schlüter®-RENO-VB	48
Schlüter®-RENO-U	49
Schlüter®-RENO-RAMP	50
Schlüter®-RENO-RAMP-K	50
Schlüter®-RENO-T	51

## Scheidingsprofielen

Schlüter®-TERRAZZO	51
--------------------	----

## Hoekprofielen

Schlüter®-WINKEL	48
------------------	----



# Schlüter<sup>®</sup>-SCHIENE

Het origineel sinds 1975

Al 50 jaar vertrouwen tegelzetters op Schlüter-SCHIENE om het resultaat van hun werk te beschermen. Ons meest bekende product werd in 1975 door meester-tegelzetter Werner Schlüter ontwikkeld uit de praktijk en biedt ook vandaag nog de perfecte randbescherming dankzij de bijzondere vormkenmerken:

- 1 Afsluitvlak onder een hoek van 87° voor een optimale lastoverdracht
- 2 Hoog belastbaar
- 3 Versterkt kopstuk met hoek van 5°
- 4 Gepatenteerde voegrib

Het zijn de details die het verschil maken.

Of het nu in messing, aluminium, roestvast staal, verchroomd of kleurgecoat is, wij leveren de passende SCHIENE voor uw werk. En in de hoogte die u nodig hebt. Onmiddellijk.



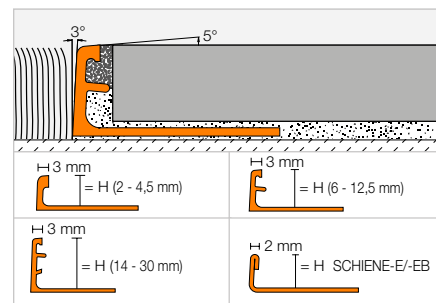
## Afsluitprofiel

## Schlüter®-SCHIENE



Schlüter-SCHIENE is een speciaal profiel ter bescherming en als decoratie voor de begrenzing van tegelvloeren, maar kan ook uitstekend worden toegepast voor andere vloerbekledingsmaterialen en toepassingen. Dankzij het voegribje wordt een vaste voegafstand tot de tegel bepaald. Schlüter-SCHIENE-E heeft geen voegribje.

(Productdatablad 1.1)



## Schlüter®-SCHIENE-M



Messing

H (mm)	L = 2,50 m Art.-No.	€ / m	KV (st.)
–	–	–	–
3	M 30	<b>9,38</b>	120
4,5	M 45	<b>9,38</b>	120
6	M 60	<b>9,52</b>	120
–	–	–	–
8	M 80	<b>10,13</b>	120
9	M 90	<b>10,50</b>	120
10	M 100	<b>10,67</b>	120
11	M 110	<b>11,56</b>	120
12,5	M 125	<b>11,79</b>	120
–	–	–	–
15	M 150	<b>12,67</b>	120
16	M 160	<b>13,78</b>	120
17,5	M 175	<b>14,07</b>	120
20	M 200	<b>14,81</b>	120
–	–	–	–
22,5	M 225	<b>17,44</b>	120
25	M 250	<b>18,54</b>	120
–	–	–	–
30	M 300	<b>20,52</b>	120
	<b>L = 1,00 m</b>		
4,5	M 45/100	<b>9,97</b>	240
6	M 60/100	<b>10,13</b>	240
8	M 80/100	<b>10,74</b>	240
10	M 100/100	<b>11,29</b>	240
12,5	M 125/100	<b>12,39</b>	240
15	M 150/100	<b>13,27</b>	240

## Schlüter®-SCHIENE-A



Aluminium

H (mm)	L = 2,50 m Art.-No.	€ / m	KV (st.)
2	A 20	<b>3,92</b>	120
3	A 30	<b>3,92</b>	120
4,5	A 45	<b>3,92</b>	120
6	A 60	<b>3,92</b>	120
7	A 70	<b>4,00</b>	120
8	A 80	<b>4,07</b>	120
9	A 90	<b>4,14</b>	120
10	A 100	<b>4,22</b>	120
11	A 110	<b>4,52</b>	120
12,5	A 125	<b>4,77</b>	120
14	A 140	<b>5,11</b>	120
15	A 150	<b>5,40</b>	120
16	A 160	<b>5,68</b>	120
17,5	A 175	<b>6,01</b>	120
20	A 200	<b>6,18</b>	120
21	A 210	<b>6,52</b>	120
22,5	A 225	<b>6,84</b>	120
25	A 250	<b>7,13</b>	120
27,5	A 275	<b>7,46</b>	120
30	A 300	<b>7,83</b>	120
	<b>L = 1,00 m</b>		
4,5	A 45/100	<b>4,52</b>	240
6	A 60/100	<b>4,52</b>	240
8	A 80/100	<b>4,67</b>	240
10	A 100/100	<b>4,87</b>	240
12,5	A 125/100	<b>5,40</b>	240
15	A 150/100	<b>6,01</b>	240

## Schlüter®-SCHIENE-AE



Alu. bruut mat geanodiseerd

H (mm)	L = 2,50 m Art.-No.	€ / m	KV (st.)
2	AE 20	<b>5,40</b>	120
3	AE 30	<b>5,40</b>	120
4,5	AE 45	<b>5,46</b>	120
6	AE 60	<b>5,68</b>	120
7	AE 70	<b>5,84</b>	120
8	AE 80	<b>5,92</b>	120
9	AE 90	<b>6,18</b>	120
10	AE 100	<b>6,31</b>	120
11	AE 110	<b>6,72</b>	120
12,5	AE 125	<b>6,99</b>	120
14	AE 140	<b>7,46</b>	120
15	AE 150	<b>7,70</b>	120
16	AE 160	<b>8,24</b>	120
17,5	AE 175	<b>8,38</b>	120
20	AE 200	<b>9,46</b>	120
21	AE 210	<b>9,90</b>	120
22,5	AE 225	<b>10,05</b>	120
25	AE 250	<b>10,43</b>	120
27,5	AE 275	<b>10,87</b>	120
30	AE 300	<b>11,50</b>	120
	<b>L = 1,00 m</b>		
4,5	AE 45/100	<b>6,02</b>	240
6	AE 60/100	<b>6,23</b>	240
8	AE 80/100	<b>6,52</b>	240
10	AE 100/100	<b>6,93</b>	240
12,5	AE 125/100	<b>7,69</b>	240
15	AE 150/100	<b>8,50</b>	240

## Schlüter®-SCHIENE-MC



Messing verchromd

H (mm)	L = 2,50 m Art.-No.	€ / m	KV (st.)
6	MC 60	<b>30,89</b>	120
8	MC 80	<b>32,01</b>	120
10	MC 100	<b>32,39</b>	120
11	MC 110	<b>32,62</b>	120
12,5	MC 125	<b>32,89</b>	120

## Opmerking:

Schlüter-SCHIENE-M / -A / -AE in 2 mm, 3 mm en 4,5 mm hebben geen voegribje.

Om productietechnische redenen kunnen producten met L = 1,00 m

niet worden voorzien van een speciale perforatie.

Voor 3 m lengte Art.-No. "/300" aanvullen (bijv. M 60/300).





### Schlüter®-SCHIENE-E



Roestvast staal V2A

H (mm)	L = 2,50 m Art.-No.	€ / m	KV (st.)
2	E 20	9,87	120
3	E 30	10,26	120
4,5	E 45	11,10	120
6	E 60	11,47	120
7	E 70	11,76	120
8	E 80	11,86	120
9	E 90	12,23	120
10	E 100	12,46	120
11	E 110	13,16	120
12,5	E 125	13,58	120
14	E 140	14,23	120
15	E 150	14,89	120
16	E 160	15,49	120
17,5	E 175	15,87	120
20	E 200	16,42	120
22,5	E 225	17,17	120
25	E 250	18,08	120
30	E 300	19,15	120
	<b>L = 1,00 m</b>		
6	E 60 / 100	12,15	240
8	E 80 / 100	12,46	240
10	E 100 / 100	13,09	240
11	E 110 / 100	13,80	240
12,5	E 125 / 100	14,25	240

### Schlüter®-SCHIENE-E V4A



Roestvast staal V4A

H (mm)	L = 2,50 m Art.-No.	€ / m	KV (st.)
4,5	E 45/V4A	12,28	120
6	E 60/V4A	12,87	120
8	E 80/V4A	13,11	120
10	E 100/V4A	13,81	120
11	E 110/V4A	14,64	120
12,5	E 125/V4A	15,11	120
14	E 140/V4A	15,81	120
15	E 150/V4A	16,57	120
16	E 160/V4A	17,21	120
17,5	E 175/V4A	17,63	120
20	E 200/V4A	18,23	120
22,5	E 225/V4A	19,12	120
25	E 250/V4A	20,10	120
30	E 300/V4A	21,31	120

### Schlüter®-SCHIENE-EB



Roestvast staal V2A geborsteld

H (mm)	L = 2,50 m Art.-No.	€ / m	KV (st.)
6	E 60 EB	17,19	120
8	E 80 EB	17,57	120
9	E 90 EB	17,87	120
10	E 100 EB	18,17	120
11	E 110 EB	19,11	120
12,5	E 125 EB	19,33	120

#### Opmerking:

Om productietechnische redenen kunnen producten met L = 1,00 m niet worden voorzien van een speciale perforatie.

Voor 3 m lengte Art.-No. "/300" aanvullen (bijv. M 60/300).

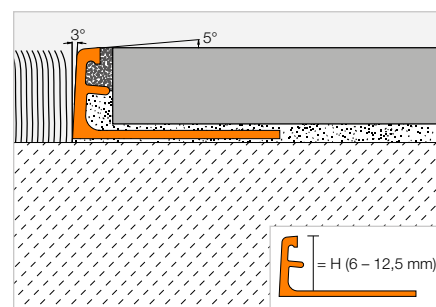
## Afsluitprofiel

### Schlüter®-SCHIENE-TS



Schlüter-SCHIENE-TS is een decoratief profiel uit aluminium met een speciale structuur en textuur, die is afgestemd op de gangbare tegeldesigns. Het afsluitvlak onder een hoek van 87° beschermt de tegels tegen mechanische beschadigingen. Dankzij het voegribje wordt een vaste voegafstand tot de tegel bepaald.

(Productdatablad 1.1)



### Schlüter®-SCHIENE-MBW



Alu. met kleurcoating, zuiver wit mat

H (mm)	L = 2,50 m Art.-No.	€ / m	KV (st.)
3	A 30 MBW	7,20	120
4,5	A 45 MBW	7,35	120
6	A 60 MBW	7,50	120
8	A 80 MBW	7,93	120
10	A 100 MBW	8,55	120
11	A 110 MBW	8,79	120
12,5	A 125 MBW	9,12	120

### Schlüter®-SCHIENE-MGS



Alu. met kleurcoating, grafietzwart mat

H (mm)	L = 2,50 m Art.-No.	€ / m	KV (st.)
3	A 30 MGS	7,20	120
4,5	A 45 MGS	7,35	120
6	A 60 MGS	7,50	120
8	A 80 MGS	7,93	120
10	A 100 MGS	8,55	120
11	A 110 MGS	8,79	120
12,5	A 125 MGS	9,12	120

### Schlüter®-SCHIENE-TSB



Alu. structuur-gecoat beige

H (mm)	L = 2,50 m Art.-No.	€ / m	KV (st.)
—	—	—	—
—	—	—	—
6	A 60 TSB	14,50	120
8	A 80 TSB	15,16	120
10	A 100 TSB	15,81	120
11	A 110 TSB	16,14	120
12,5	A 125 TSB	16,47	120

Voor 3 m lengte Art.-No. "/300" aanvullen (bijv. A 60 MBW/300).



**Schlüter®-SCHIENE-TSBG**

Alu. structuur-gecoat beigegrijs

H (mm)	L = 2,50 m Art.-No.	€ / m	KV (st.)
6	A 60 TSBG	<b>14,50</b>	120
8	A 80 TSBG	<b>15,16</b>	120
10	A 100 TSBG	<b>15,81</b>	120
11	A 110 TSBG	<b>16,14</b>	120
12,5	A 125 TSBG	<b>16,47</b>	120

**Schlüter®-SCHIENE-TSC**

Alu. structuur-gecoat crème

H (mm)	L = 2,50 m Art.-No.	€ / m	KV (st.)
6	A 60 TSC	<b>14,50</b>	120
8	A 80 TSC	<b>15,16</b>	120
10	A 100 TSC	<b>15,81</b>	120
11	A 110 TSC	<b>16,14</b>	120
12,5	A 125 TSC	<b>16,47</b>	120

**Schlüter®-SCHIENE-TSDA**

Alu. structuur-gecoat donker antraciet

H (mm)	L = 2,50 m Art.-No.	€ / m	KV (st.)
6	A 60 TSDA	<b>14,50</b>	120
8	A 80 TSDA	<b>15,16</b>	120
10	A 100 TSDA	<b>15,81</b>	120
11	A 110 TSDA	<b>16,14</b>	120
12,5	A 125 TSDA	<b>16,47</b>	120

**Schlüter®-SCHIENE-TSG**

Alu. structuur-gecoat grijs

H (mm)	L = 2,50 m Art.-No.	€ / m	KV (st.)
6	A 60 TSG	<b>14,50</b>	120
8	A 80 TSG	<b>15,16</b>	120
10	A 100 TSG	<b>15,81</b>	120
11	A 110 TSG	<b>16,14</b>	120
12,5	A 125 TSG	<b>16,47</b>	120

**Schlüter®-SCHIENE-TSI**

Alu. structuur-gecoat ivoor

H (mm)	L = 2,50 m Art.-No.	€ / m	KV (st.)
6	A 60 TSI	<b>14,50</b>	120
8	A 80 TSI	<b>15,16</b>	120
10	A 100 TSI	<b>15,81</b>	120
11	A 110 TSI	<b>16,14</b>	120
12,5	A 125 TSI	<b>16,47</b>	120

**Schlüter®-SCHIENE-TSLA**

Alu. structuur-gecoat licht antraciet

H (mm)	L = 2,50 m Art.-No.	€ / m	KV (st.)
6	A 60 TSLA	<b>14,50</b>	120
8	A 80 TSLA	<b>15,16</b>	120
10	A 100 TSLA	<b>15,81</b>	120
11	A 110 TSLA	<b>16,14</b>	120
12,5	A 125 TSLA	<b>16,47</b>	120

**Schlüter®-SCHIENE-TSOB**

Alu. structuur-gecoat brons

H (mm)	L = 2,50 m Art.-No.	€ / m	KV (st.)
6	A 60 TSOB	<b>14,50</b>	120
8	A 80 TSOB	<b>15,16</b>	120
10	A 100 TSOB	<b>15,81</b>	120
11	A 110 TSOB	<b>16,14</b>	120
12,5	A 125 TSOB	<b>16,47</b>	120

**Schlüter®-SCHIENE-TSR**

Alu. structuur-gecoat roestbruin

H (mm)	L = 2,50 m Art.-No.	€ / m	KV (st.)
6	A 60 TSR	<b>14,50</b>	120
8	A 80 TSR	<b>15,16</b>	120
10	A 100 TSR	<b>15,81</b>	120
11	A 110 TSR	<b>16,14</b>	120
12,5	A 125 TSR	<b>16,47</b>	120

**Schlüter®-SCHIENE-TSSG**

Alu. structuur-gecoat steengrijs

H (mm)	L = 2,50 m Art.-No.	€ / m	KV (st.)
6	A 60 TSSG	<b>14,50</b>	120
8	A 80 TSSG	<b>15,16</b>	120
10	A 100 TSSG	<b>15,81</b>	120
11	A 110 TSSG	<b>16,14</b>	120
12,5	A 125 TSSG	<b>16,47</b>	120

## Beschikbare oppervlakken | Kleuren



Een overzicht van de oppervlakken en kleuren vindt u vanaf pagina 340.

**i**  
Geschikt voor binnentoepassing  
bij geringe mechanische belasting.

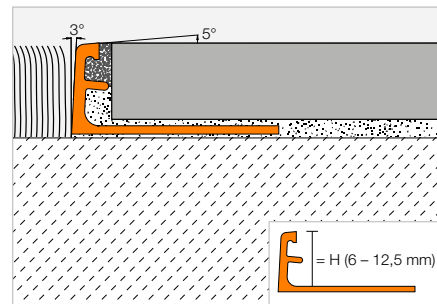


## Afsluitprofiel

### Schlüter®-SCHIENE-A



Schlüter-SCHIENE-A is een decoratief profiel uit aluminium, dat verkrijgbaar is met verschillende geanodiseerde en veredelde oppervlakken. Het afsluitvlak onder een hoek van 87° beschermt de tegels tegen mechanische beschadigingen. Dankzij het voegribje wordt een vaste voegafstand tot de tegel bepaald. (Productdatablad 1.1)



#### Schlüter®-SCHIENE-ACG



Alu. chroom glanzend geanodiseerd

H (mm)	L = 2,50 m Art.-No.	€ / m	KV (st.)
6	A 60 ACG	13,89	120
8	A 80 ACG	14,31	120
10	A 100 ACG	14,71	120
11	A 110 ACG	14,92	120
12,5	A 125 ACG	15,16	120

#### Schlüter®-SCHIENE-ACGB



Alu. chroom geborsteld geanodiseerd

H (mm)	L = 2,50 m Art.-No.	€ / m	KV (st.)
6	A 60 ACGB	13,89	120
8	A 80 ACGB	14,31	120
10	A 100 ACGB	14,71	120
11	A 110 ACGB	14,92	120
12,5	A 125 ACGB	15,16	120

Voor 3 m lengte Art.-No. "/300" aanvullen (bijv. A 60 ACG/300).

#### Schlüter®-SCHIENE-AM



Alu. messing mat geanodiseerd

H (mm)	L = 2,50 m Art.-No.	€ / m	KV (st.)
6	A 60 AM	11,40	120
8	A 80 AM	11,74	120
10	A 100 AM	12,06	120
11	A 110 AM	12,24	120
12,5	A 125 AM	12,44	120

#### Schlüter®-SCHIENE-AMG



Alu. messing glanzend geanodiseerd

H (mm)	L = 2,50 m Art.-No.	€ / m	KV (st.)
6	A 60 AMG	13,89	120
8	A 80 AMG	14,31	120
10	A 100 AMG	14,71	120
11	A 110 AMG	14,92	120
12,5	A 125 AMG	15,16	120

#### Schlüter®-SCHIENE-AMGB



Alu. messing geborsteld geanodiseerd

H (mm)	L = 2,50 m Art.-No.	€ / m	KV (st.)
6	A 60 AMGB	13,89	120
8	A 80 AMGB	14,31	120
10	A 100 AMGB	14,71	120
11	A 110 AMGB	14,92	120
12,5	A 125 AMGB	15,16	120

#### Schlüter®-SCHIENE-AK



Alu. koper mat geanodiseerd

H (mm)	L = 2,50 m Art.-No.	€ / m	KV (st.)
6	A 60 AK	11,40	120
8	A 80 AK	11,74	120
10	A 100 AK	12,06	120
11	A 110 AK	12,24	120
12,5	A 125 AK	12,44	120

#### Schlüter®-SCHIENE-AKG



Alu. koper glanzend geanodiseerd

H (mm)	L = 2,50 m Art.-No.	€ / m	KV (st.)
6	A 60 AKG	13,89	120
8	A 80 AKG	14,31	120
10	A 100 AKG	14,71	120
11	A 110 AKG	14,92	120
12,5	A 125 AKG	15,16	120

#### Schlüter®-SCHIENE-AKGB



Alu. koper geborsteld geanodiseerd

H (mm)	L = 2,50 m Art.-No.	€ / m	KV (st.)
6	A 60 AKGB	13,89	120
8	A 80 AKGB	14,31	120
10	A 100 AKGB	14,71	120
11	A 110 AKGB	14,92	120
12,5	A 125 AKGB	15,16	120

#### Schlüter®-SCHIENE-AT



Alu. titanium mat geanodiseerd

H (mm)	L = 2,50 m Art.-No.	€ / m	KV (st.)
6	A 60 AT	11,40	120
8	A 80 AT	11,74	120
10	A 100 AT	12,06	120
11	A 110 AT	12,24	120
12,5	A 125 AT	12,44	120

#### Schlüter®-SCHIENE-ATG



Alu. titanium glanzend geanodiseerd

H (mm)	L = 2,50 m Art.-No.	€ / m	KV (st.)
6	A 60 ATG	13,89	120
8	A 80 ATG	14,31	120
10	A 100 ATG	14,71	120
11	A 110 ATG	14,92	120
12,5	A 125 ATG	15,16	120

#### Schlüter®-SCHIENE-ATGB



Alu. titanium geborsteld geanodiseerd

H (mm)	L = 2,50 m Art.-No.	€ / m	KV (st.)
6	A 60 ATGB	13,89	120
8	A 80 ATGB	14,31	120
10	A 100 ATGB	14,71	120
11	A 110 ATGB	14,92	120
12,5	A 125 ATGB	15,16	120

**Schlüter®-SCHIENE-ABGB**

Alu. antiek brons geborsteld geanodiseerd

H (mm)	L = 2,50 m Art.-No.	€ / m	KV (st.)
6	A 60 ABGB	<b>13,89</b>	120
8	A 80 ABGB	<b>14,31</b>	120
10	A 100 ABGB	<b>14,71</b>	120
11	A 110 ABGB	<b>14,92</b>	120
12,5	A 125 ABGB	<b>15,16</b>	120

**Schlüter®-SCHIENE-AGRB**

Alu. grafiet geborsteld geanodiseerd

H (mm)	L = 2,50 m Art.-No.	€ / m	KV (st.)
6	A 60 AGRB	<b>13,89</b>	120
8	A 80 AGRB	<b>14,31</b>	120
10	A 100 AGRB	<b>14,71</b>	120
11	A 110 AGRB	<b>14,92</b>	120
12,5	A 125 AGRB	<b>15,16</b>	120

**Schlüter®-SCHIENE-AGSG**

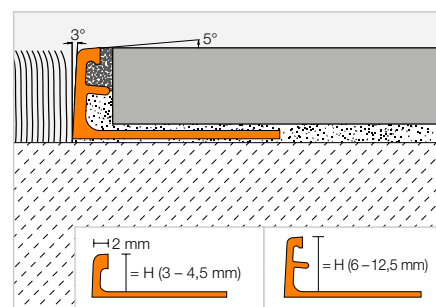
Alu. zwart glanzend geanodiseerd

H (mm)	L = 2,50 m Art.-No.	€ / m	KV (st.)
6	A 60 AGSG	<b>13,89</b>	120
8	A 80 AGSG	<b>14,31</b>	120
10	A 100 AGSG	<b>14,71</b>	120
11	A 110 AGSG	<b>14,92</b>	120
12,5	A 125 AGSG	<b>15,16</b>	120

Een overzicht van de oppervlakken en kleuren vindt u vanaf pagina 340.

**i**Geschikt voor binnentoepassing  
bij geringe mechanische belasting.**Afsluitprofiel****Schlüter®-SCHIENE-AC**

Schlüter-SCHIENE-AC is een decoratief profiel uit kleurgecoat aluminium. Het afsluitvlak onder een hoek van 87° beschermt de tegels tegen mechanische beschadigingen. Dankzij het voegribje wordt een vaste voegafstand tot de tegel bepaald.  
(Productdatablad 1.1)

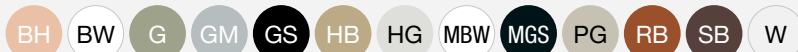
**Schlüter®-SCHIENE-AC**

Alu. met kleurcoating

H (mm)	L = 2,50 m Art.-No.	€ / m	KV (st.)
3	A 30 ...*	<b>7,20</b>	120
4,5	A 45 ...*	<b>7,35</b>	120
6	A 60 ...*	<b>7,50</b>	120
8	A 80 ...*	<b>7,93</b>	120
10	A 100 ...*	<b>8,55</b>	120
11	A 110 ...*	<b>8,79</b>	120
12,5	A 125 ...*	<b>9,12</b>	120

**i**Geschikt voor binnentoepassing  
bij geringe mechanische belasting.

Voor 3 m lengte Art.-No. "/300" aanvullen (bijv. A 60 GS/300).

**Art.-No. kleur toevoegen (bijv. A 30 BW)**

\* Kleuren L = 2,50 m: BH - BW - G - GM - GS - HB - HG - MBW - MGS - PG - RB - SB - W

Kleuren L = 3,00 m: BW - GS - MBW - PG - W

Een overzicht van de oppervlakken en kleuren vindt u vanaf pagina 340.



# Schlüter®-SCHIENE-ES

Veruit de beste

- ✓ Doorlopend en precies voegpatroon
- ✓ Eenvoudige en nauwkeurige plaatsing
- ✓ Scheiding van lijm en voegmortel
- ✓ Het enige roestvaststalen profiel met voegribje
- ✓ Al jarenlang gepatenteerde voegribje-techniek
- ✓ In de uitvoeringen roestvast staal en geborsteld roestvast staal
- ✓ Het voegribje – ontdek het verschil



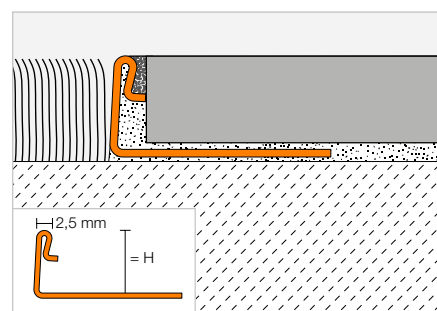
## Afsluitprofiel

### Schlüter®-SCHIENE-ES



Schlüter-SCHIENE-ES is een roestvaststalen afsluitprofiel voor tegel- en natuursteenbekledingen. Het profiel beschikt over een voegribje, dat een vaste voegafstand tot de tegel bepaalt.

(Productdatablad 1.1)



#### Schlüter®-SCHIENE-ES



Roestvast staal V2A met voegribje

H (mm)	L = 2,50 m Art.-No.	€ / m	KV (st.)
8	ES 80	<b>11,86</b>	120
10	ES 100	<b>12,46</b>	120
11	ES 110	<b>13,16</b>	120
12,5	ES 125	<b>13,58</b>	120
<b>L = 1,00 m</b>			
8	ES 80 / 100	<b>12,46</b>	240
10	ES 100 / 100	<b>13,09</b>	240
11	ES 110 / 100	<b>13,80</b>	240
12,5	ES 125 / 100	<b>14,25</b>	240

#### Schlüter®-SCHIENE-ES-EB



Roestvast staal V2A geborsteld met voegribje

H (mm)	L = 2,50 m Art.-No.	€ / m	KV (st.)
8	ES 80 EB	<b>17,57</b>	120
10	ES 100 EB	<b>18,17</b>	120
11	ES 110 EB	<b>19,11</b>	120
12,5	ES 125 EB	<b>19,33</b>	120

Voor 3 m lengte Art.-No. "/300" aanvullen (bijv. ES 80/300).

#### Opmerking:

Om productietechnische redenen kunnen producten met L = 1,00 m niet worden voorzien van een speciale perforatie.

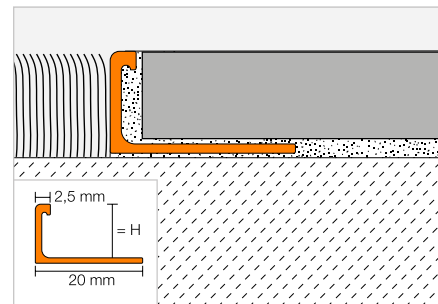


## Afsluitprofiel

## Schlüter®-SCHIENE-BASIC



Schlüter-SCHIENE-BASIC is een afsluitprofiel voor tegelbekledingen of andere vormvaste bekledingsmaterialen met een rechthoekige overgang van het bevestigingsvlak op het aansluitvlak en met een rechthoekige profielkop.



## Schlüter®-SCHIENE-BASIC-M

Messing

H (mm)	L = 2,50 m Art.-No.	€ / m	KV (st.)
–	–	–	–
8	MBS 80	<b>8,94</b>	120
10	MBS 100	<b>9,45</b>	120
–	–	–	–
12,5	MBS 125	<b>10,24</b>	120
L = 1,00 m			
–	–	–	–
8	MBS 80/100	<b>9,52</b>	240
10	MBS 100/100	<b>10,02</b>	240
–	–	–	–
12,5	MBS 125/100	<b>10,82</b>	240

## Schlüter®-SCHIENE-BASIC-A

Aluminium

H (mm)	L = 2,50 m Art.-No.	€ / m	KV (st.)
6	ABS 60	<b>3,28</b>	120
8	ABS 80	<b>3,46</b>	120
10	ABS 100	<b>3,76</b>	120
11	ABS 110	<b>3,93</b>	120
12,5	ABS 125	<b>4,07</b>	120
L = 1,00 m			
6	ABS 60/100	<b>3,92</b>	240
8	ABS 80/100	<b>4,07</b>	240
10	ABS 100/100	<b>4,36</b>	240
11	ABS 110/100	<b>4,50</b>	240
12,5	ABS 125/100	<b>4,67</b>	240

## Schlüter®-SCHIENE-BASIC-AE

Alu. bruut mat geanodiseerd

H (mm)	L = 2,50 m Art.-No.	€ / m	KV (st.)
6	AEBS 60	<b>4,87</b>	120
8	AEBS 80	<b>5,11</b>	120
10	AEBS 100	<b>5,33</b>	120
11	AEBS 110	<b>5,52</b>	120
12,5	AEBS 125	<b>5,77</b>	120

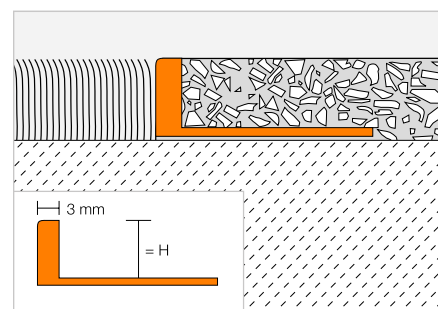
Voor 3 m lengte Art.-No. “/300” aanvullen (bijv. ABS 60/300).

## Afsluitprofiel

## Schlüter®-SCHIENE-V



Schlüter-SCHIENE-V is een afsluitprofiel voor houten bekledingen of voor andere vormvaste bekledingsmaterialen zoals terrazzovloeren met een rechthoekige overgang van het bevestigingsvlak op het aansluitvlak. Het gelijkmatig gevormde aansluitvlak maakt het afslijpen van de bekleding mogelijk.



## Schlüter®-SCHIENE-AV

Aluminium

H (mm)	L = 2,50 m Art.-No.	€ / m	KV (st.)
10	A 100 V	<b>6,14</b>	120
12,5	A 125 V	<b>6,28</b>	120
26	A 260 V	<b>9,17</b>	120

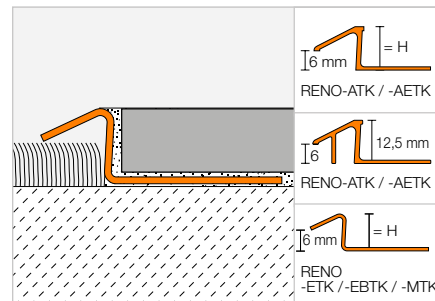


## Overgangsprofiel

### Schlüter®-RENO-TK



Schlüter-RENO-TK is een profiel voor de traploze overgang van een tegelvloer naar een aangrenzend lager gelegen tapijt of een ander vloerbekledingsmateriaal. Eveneens worden de aangrenzende bekledingsranden doeltreffend beschermd.  
(Productdatablad 1.4)



#### Schlüter®-RENO-MTK



Messing

H (mm)	L = 2,50 m Art.-No.	€ / m	KV (st.)
8	MTK 80	15,06	60
10	MTK 100	16,30	60
12,5	MTK 125	22,06	60
<b>L = 1,00 m</b>			
8	MTK 80/100	15,72	60
10	MTK 100/100	16,95	60
12,5	MTK 125/100	22,65	60

#### Schlüter®-RENO-ATK



Aluminium

H (mm)	L = 2,50 m Art.-No.	€ / m	KV (st.)
8	ATK 80	6,11	60
10	ATK 100	6,52	60
12,5	ATK 125	8,67	60
<b>L = 1,00 m</b>			
8	ATK 80/100	6,80	60
10	ATK 100/100	7,25	60
12,5	ATK 125/100	9,33	60

#### Schlüter®-RENO-AETK



Alu. bruut mat geanodiseerd

H (mm)	L = 2,50 m Art.-No.	€ / m	KV (st.)
8	AETK 80	9,40	60
10	AETK 100	9,79	60
12,5	AETK 125	11,58	60
<b>L = 1,00 m</b>			
8	AETK 80/100	10,11	60
10	AETK 100/100	10,51	60
12,5	AETK 125/100	12,26	60

#### Schlüter®-RENO-ETK

Roestvast staal V2A

H (mm)	L = 2,50 m Art.-No.	€ / m	KV (st.)
8	ETK 80	16,06	60
10	ETK 100	18,17	60
11	ETK 110	19,77	60
12,5	ETK 125	20,69	60
<b>L = 1,00 m</b>			
8	ETK 80/100	16,97	60
10	ETK 100/100	19,08	60
11	ETK 110/100	20,72	60
12,5	ETK 125/100	21,58	60

#### Schlüter®-RENO-EBTK

Roestvast staal V2A geborsteld

H (mm)	L = 2,50 m Art.-No.	€ / m	KV (st.)
8	EBTK 80	20,87	60
10	EBTK 100	23,66	60
11	EBTK 110	25,56	60
12,5	EBTK 125	26,89	60
<b>L = 1,00 m</b>			
8	EBTK 80/100	21,80	60
10	EBTK 100/100	24,61	60
11	EBTK 110/100	26,58	60
12,5	EBTK 125/100	27,82	60

#### Opmerking:

Om productietechnische redenen kunnen producten met L = 1,00 m niet worden voorzien van een speciale perforatie.

# Schlüter®-RENO-V

## Profiel met variabele overgangsfleus



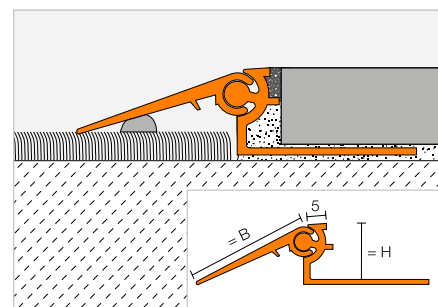
- ✓ Voorkomt struikelgevaar
- ✓ Overgangsfleus instelbaar via scharnierpunt
- ✓ Beschermt de bekledingsranden
- ✓ Dekt tapijt- of vinylranden netjes af
- ✓ In zes profielhoogten en drie fleusbreedten verkrijgbaar
- ✓ Draagprofielen en overgangsfleusen kunnen naar wens gecombineerd worden

### Overgangsprofiel

## Schlüter®-RENO-V



Schlüter-RENO-V is een profiel met een variabele overgangsfleus voor de traploze overgang tussen op verschillende hoogte gelegen vloerbekledingen. Dankzij het voegribje wordt een vaste voegafstand tot de tegel bepaald. (Productdatablad 1.7)



### Schlüter®-RENO-AV

Aluminium

H (mm)	L = 2,50 m Art.-No.	€ / m	KV (st.)
8	AVT 80 B20	<b>15,15</b>	40
10	AVT 100 B20	<b>15,52</b>	40
12,5	AVT 125 B30	<b>17,53</b>	40
15	AVT 150 B30	<b>17,68</b>	40
17,5	AVT 175 B40	<b>20,47</b>	40
20	AVT 200 B40	<b>21,08</b>	40
<b>L = 1,00 m</b>			
8	AVT 80 B20/100	<b>16,47</b>	60
10	AVT 100 B20/100	<b>16,78</b>	60
12,5	AVT 125 B30/100	<b>18,85</b>	60
15	AVT 150 B30/100	<b>19,05</b>	60
17,5	AVT 175 B40/100	<b>21,80</b>	60
20	AVT 200 B40/100	<b>22,49</b>	60

### Schlüter®-RENO-AEV

Alu. bruto mat geanodiseerd

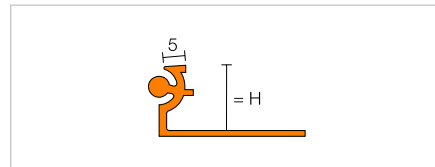
H (mm)	L = 2,50 m Art.-No.	€ / m	KV (st.)
8	AEVT 80 B20	<b>23,37</b>	40
10	AEVT 100 B20	<b>23,80</b>	40
12,5	AEVT 125 B30	<b>25,95</b>	40
15	AEVT 150 B30	<b>26,58</b>	40
17,5	AEVT 175 B40	<b>29,70</b>	40
20	AEVT 200 B40	<b>31,18</b>	40
<b>L = 1,00 m</b>			
8	AEVT 80 B20/100	<b>24,68</b>	60
10	AEVT 100 B20/100	<b>25,15</b>	60
12,5	AEVT 125 B30/100	<b>27,33</b>	60
15	AEVT 150 B30/100	<b>27,81</b>	60
17,5	AEVT 175 B40/100	<b>30,97</b>	60
20	AEVT 200 B40/100	<b>32,54</b>	60



## Overgangsprofiel

### Schlüter®-RENO-VT

Schlüter-RENO-VT is het draagprofiel voor de variabele overgangsfenzen Schlüter-RENO-VB. Beide producten kunnen in alle afmetingen met elkaar worden gecombineerd. (Productdatablad 1.7)



#### Schlüter®-RENO-AVT

Vloer-draagprofiel aluminium

H (mm)	L = 2,50 m Art.-No.	€ / m	KV (st.)
8	AVT 80	<b>7,62</b>	60
10	AVT 100	<b>8,03</b>	60
12,5	AVT 125	<b>8,45</b>	60
15	AVT 150	<b>8,67</b>	60
17,5	AVT 175	<b>9,05</b>	60
20	AVT 200	<b>9,72</b>	60

#### Schlüter®-RENO-AEVT

Vloer-draagprofiel alu. bruant mat geanodiseerd

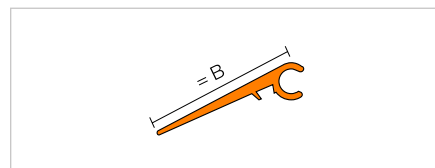
H (mm)	L = 2,50 m Art.-No.	€ / m	KV (st.)
8	AEVT 80	<b>10,18</b>	60
10	AEVT 100	<b>10,69</b>	60
12,5	AEVT 125	<b>11,22</b>	60
15	AEVT 150	<b>11,85</b>	60
17,5	AEVT 175	<b>12,37</b>	60
20	AEVT 200	<b>14,02</b>	60

Prijzen voor Schlüter-RENO-VT en -VB in 1 m lengte op aanvraag (Art.-No. aanvullen, bijv. AVT 80/100).

## Overgangsprofiel

### Schlüter®-RENO-VB

Schlüter-RENO-VB is de variabele overgangsfens, die in alle afmetingen met het draagprofiel Schlüter-RENO-VT kan worden gecombineerd. (Productdatablad 1.7)



#### Schlüter®-RENO-AVB

Aluminium

B (mm)	L = 2,50 m Art.-No.	€ / m	KV (st.)
20	AVB 20	<b>3,97</b>	60
30	AVB 30	<b>5,51</b>	60
40	AVB 40	<b>8,12</b>	60

#### Schlüter®-RENO-AEVB

Alu. bruant mat geanodiseerd

B (mm)	L = 2,50 m Art.-No.	€ / m	KV (st.)
20	AEVB 20	<b>9,91</b>	60
30	AEVB 30	<b>11,58</b>	60
40	AEVB 40	<b>14,29</b>	60

Prijzen voor Schlüter-RENO-VT en -VB in 1 m lengte op aanvraag (Art.-No. aanvullen, bijv. AVT 80/100).

## Hoekprofiel

### Schlüter®-WINKEL



Schlüter-WINKEL is een niet-geperforeerd massief hoekprofiel voor meerdere doeleinden.

#### Schlüter®-WINKEL-A

Aluminium

L = 2,50 m Art.-No.	€ / m	KV (st.)
AW 15 x 30 x 2	<b>6,52</b>	60
AW 20 x 20 x 2	<b>5,81</b>	60
AW 30 x 30 x 2	<b>8,95</b>	60
AW 30 x 30 x 3	<b>13,16</b>	60
AW 40 x 20 x 2	<b>8,87</b>	60
AW 40 x 40 x 3	<b>17,63</b>	60



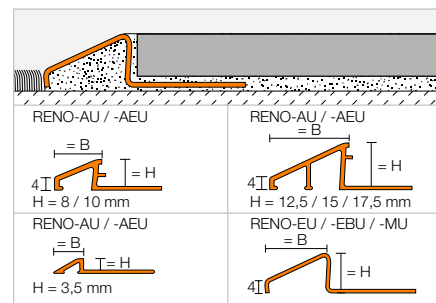
## Overgangsprofiel

## Schlüter®-RENO-U



Schlüter-RENO-U is een profiel om vloerbekledingen met verschillende hoogtes traploos op elkaar te doen aansluiten. Dankzij het voegribje wordt een vaste voegafstand tot de tegel bepaald. Schlüter-RENO-EU, -EBU en -MU hebben geen voegribje.

(Productdatablad 1.2)



## Schlüter®-RENO-MU

Messing

H (mm)	B (mm)	L = 2,50 m Art.-No.	€ / m	KV (st.)
–	–	–	–	–
8	12,5	MU 80	<b>17,99</b>	60
10	16,5	MU 100	<b>20,17</b>	60
12,5	22	MU 125	<b>26,67</b>	60
15	27,5	MU 150	<b>29,51</b>	60
–	–	–	–	–
<b>L = 1,00 m</b>				
8	12,5	MU 80/100	<b>18,95</b>	60
10	16,5	MU 100/100	<b>21,08</b>	60
12,5	22	MU 125/100	<b>27,61</b>	60

## Schlüter®-RENO-AU

Aluminium

H (mm)	B (mm)	L = 2,50 m Art.-No.	€ / m	KV (st.)
3,5	9	AU 35	<b>6,77</b>	60
8	12,5	AU 80	<b>7,01</b>	60
10	16,5	AU 100	<b>7,80</b>	60
12,5	22	AU 125	<b>10,02</b>	60
15	27,5	AU 150	<b>11,22</b>	60
17,5	27	AU 175	<b>12,57</b>	60
<b>L = 1,00 m</b>				
8	12,5	AU 80/100	<b>8,03</b>	60
10	16,5	AU 100/100	<b>8,75</b>	60
12,5	22	AU 125/100	<b>10,96</b>	60

## Schlüter®-RENO-AEU

Alu. bruut mat geanodiseerd

H (mm)	B (mm)	L = 2,50 m Art.-No.	€ / m	KV (st.)
3,5	9	AEU 35	<b>9,55</b>	60
8	12,5	AEU 80	<b>10,25</b>	60
10	16,5	AEU 100	<b>11,22</b>	60
12,5	22	AEU 125	<b>13,63</b>	60
15	27,5	AEU 150	<b>15,21</b>	60
17,5	27	AEU 175	<b>16,47</b>	60
<b>L = 1,00 m</b>				
8	12,5	AEU 80/100	<b>11,22</b>	60
10	16,5	AEU 100/100	<b>12,26</b>	60
12,5	22	AEU 125/100	<b>14,54</b>	60

## Schlüter®-RENO-EU

Roestvast staal V2A

H (mm)	B (mm)	L = 2,50 m Art.-No.	€ / m	KV (st.)
8	13	EU 80	<b>19,49</b>	60
10	17,5	EU 100	<b>21,37</b>	60
11	20	EU 110	<b>22,90</b>	60
12,5	23	EU 125	<b>23,67</b>	60
15	28	EU 150	<b>25,72</b>	60
17,5	33,5	EU 175	<b>28,03</b>	60
20	44,5	EU 200	<b>30,50</b>	60
<b>L = 1,00 m</b>				
8	13	EU 80/100	<b>20,39</b>	60
10	17,5	EU 100/100	<b>22,30</b>	60
11	20	EU 110/100	<b>23,83</b>	60
12,5	23	EU 125/100	<b>24,63</b>	60

## Schlüter®-RENO-EBU

Roestvast staal V2A geborsteld

H (mm)	B (mm)	L = 2,50 m Art.-No.	€ / m	KV (st.)
8	13	EBU 80	<b>25,31</b>	60
10	17,5	EBU 100	<b>27,76</b>	60
11	20	EBU 110	<b>29,84</b>	60
12,5	23	EBU 125	<b>30,73</b>	60
15	28	EBU 150	<b>33,47</b>	60
17,5	33,5	EBU 175	<b>36,46</b>	60
20	44,5	EBU 200	<b>39,66</b>	60
<b>L = 1,00 m</b>				
8	13	EBU 80/100	<b>26,24</b>	60
10	17,5	EBU 100/100	<b>28,66</b>	60
11	20	EBU 110/100	<b>30,78</b>	60
12,5	23	EBU 125/100	<b>31,64</b>	60



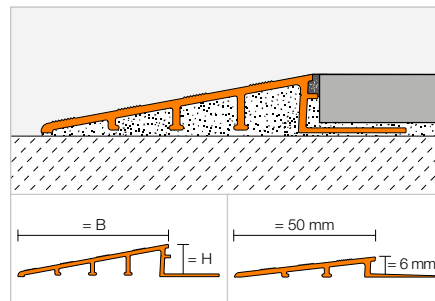
## Overgangsprofiel

### Schlüter®-RENO-RAMP



Schlüter-RENO-RAMP is een profiel voor de traploze overgang van sterk belastbare tegelbekledingen op een aangrenzend lager gelegen bekledingsmateriaal. Dankzij het voegribje wordt een vaste voegafstand tot de tegel bepaald.

(Productdatablad 1.2)



### Schlüter®-RENO-RAMP-AE

Alu. bruut mat geanodiseerd

H (mm)	B (mm)	L = 2,50 m Art.-No.	€ / m	KV (st.)
6	50	AERP 60 B50	<b>23,81</b>	60
10	64	AERP 100 B65	<b>25,30</b>	60
12,5	64	AERP 125 B65	<b>25,87</b>	60
12,5	89	AERP 125 B90	<b>30,11</b>	60
15	89	AERP 150 B90	<b>32,81</b>	60
20	89	AERP 200 B90	<b>38,94</b>	60

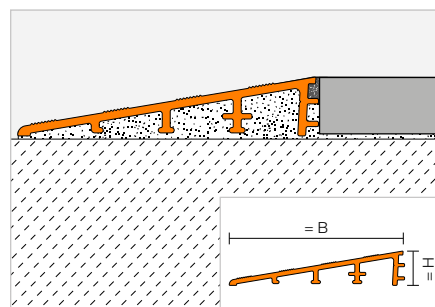
## Overgangsprofiel

### Schlüter®-RENO-RAMP-K



Schlüter-RENO-RAMP-K is een profiel voor de traploze overgang van sterk belaste tegelbekleding naar een aangrenzend lager gelegen bekledingsmateriaal. Het profiel kan achteraf als hoogtecompensatie tussen het bekledingsmateriaal en de ondergrond worden verlijmd.

(Productdatablad 1.2)



### Schlüter®-RENO-RAMP-K

Alu. bruut mat geanodiseerd

H (mm)	B (mm)	L = 2,50 m Art.-No.	€ / m	KV (st.)
12,5	64	AERPK 125 B65	<b>21,98</b>	60



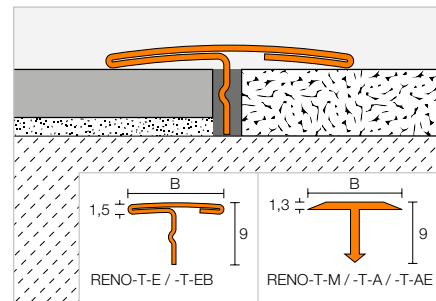
## Overgangsprofiel

## Schlüter®-RENO-T



Schlüter-RENO-T is een profiel dat achteraf wordt geplaatst als overgang tussen op gelijke hoogte aan elkaar grenzende vloerbekledingen.

(Productdatablad 1.3)



## Schlüter®-RENO-T-M

Messing

B (mm)	L = 2,50 m Art.-No.	€ / m	KV (st.)
14	T 9/14 M	<b>8,45</b>	120
25	T 9/25 M	<b>14,39</b>	120
L = 1,00 m			
14	T 9/14 M/100	<b>9,13</b>	120
25	T 9/25 M/100	<b>15,06</b>	120

## Schlüter®-RENO-T-A

Aluminium

B (mm)	L = 2,50 m Art.-No.	€ / m	KV (st.)
14	T 9/14 A	<b>3,30</b>	120
25	T 9/25 A	<b>4,20</b>	120
L = 1,00 m			
14	T 9/14 A/100	<b>3,91</b>	120
25	T 9/25 A/100	<b>4,85</b>	120

## Schlüter®-RENO-T-AE

Alu. bruut mat geanodiseerd

B (mm)	L = 2,50 m Art.-No.	€ / m	KV (st.)
14	T 9/14 AE	<b>5,31</b>	120
25	T 9/25 AE	<b>5,74</b>	120
L = 1,00 m			
14	T 9/14 AE/100	<b>5,98</b>	120
25	T 9/25 AE/100	<b>6,38</b>	120

## Schlüter®-RENO-T-E

Roestvast staal V2A

B (mm)	L = 2,50 m Art.-No.	€ / m	KV (st.)
14	T 9/14 E	<b>12,25</b>	120
25	T 9/25 E	<b>15,83</b>	120
L = 1,00 m			
14	T 9/14 E/100	<b>12,92</b>	120
25	T 9/25 E/100	<b>16,47</b>	120

## Schlüter®-RENO-T-EB

Roestvast staal V2A geborsteld

B (mm)	L = 2,50 m Art.-No.	€ / m	KV (st.)
14	T 9/14 EB	<b>15,93</b>	120
25	T 9/25 EB	<b>20,55</b>	120
L = 1,00 m			
14	T 9/14 EB/100	<b>16,81</b>	120
25	T 9/25 EB/100	<b>21,42</b>	120

**Opmerking:**

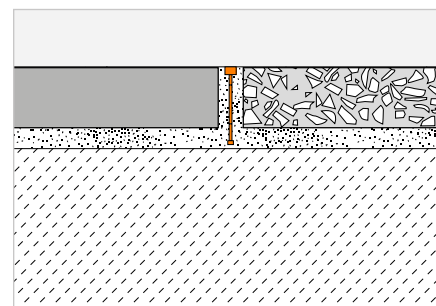
De profielen Schlüter-RENO-T-M / -T-A / -T-AE laten zich zonder speciale perforatie buigen met de Schlüter-RUMA buigmachine.

## Scheidingsprofiel

## Schlüter®-TERRAZZO



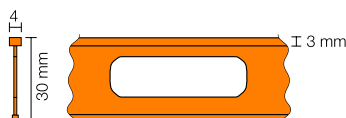
Schlüter-TERRAZZO is een scheidings- en decoratieprofiel uit massief messing, dat in terrazobekleding wordt ingebracht.



## Schlüter®-TERRAZZO-M

Messing

H (mm)	L = 2,50 m Art.-No.	€ / m	KV (st.)
30	TM 4 x 30	<b>13,25</b>	120





# Schlüter-profielen

## Wandhoeken en afsluitingen

Randbescherming is geen kwestie van smaak. Mooie en vakkundig geplaatste tegelbekledingen verdienen het om goed beschermd te worden. Met randbeschermingsprofielen van Schlüter-Systems stelt u op een betrouwbare wijze het resultaat van uw werk veilig. En door de verscheidenheid aan vormen, kleuren en afwerkingen behoudt u absolute ontwerpvrijheid.







## Afsluitprofielen

Schlüter®-QUADEC	55–64
Schlüter®-RONDEC	65–75
Schlüter®-JOLLY	77–83
Schlüter®-FINEC	85–90
Schlüter®-DECO	91–92
Schlüter®-INDEC	92
Schlüter®-RONDEC-STEP	104–105
Schlüter®-SCHIENE-STEP	106–107

## Hoekprofielen

Schlüter®-ECK	93–94
---------------	-------

## Holplintprofielen

Schlüter®-ECK-KHK	95
-------------------	----

## Sierstrips

Schlüter®-DESIGNLINE	96
----------------------	----

## Decoratieve profielen

Schlüter®-QUADEC-FS	97
---------------------	----

## Opnameprofielen

Schlüter®-DECO-SG	98
-------------------	----

## Plintprofielen

Schlüter®-DESIGNBASE	99–102
----------------------	--------



# Schlüter-profielen

## “Heavy Metal” voor tegels

Wie een goede randbescherming wil combineren met een hoogwaardige afwerking, passend bij verchroomde of roestvaststalen armaturen, is hier aan het goede adres. Of het nu gaat om roestvast staal of verchroomd messing, Schlüter-QUADEC zorgt voor een prachtig resultaat.

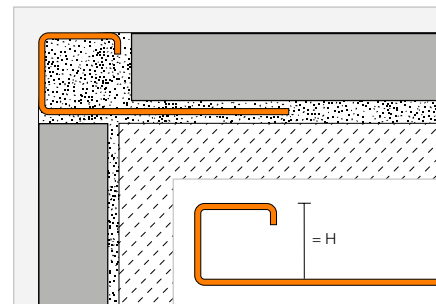


## Afsluitprofiel

## Schlüter®-QUADEC-MC



Schlüter-QUADEC-MC is een hoogwaardig afsluitprofiel uit verchroomd messing voor uitwendige hoeken in wandbetegeling en biedt een goede randbescherming. Het zichtbare oppervlak van het profiel vormt een rechthoekige buitenhoek voor de tegelbekleding. (Productdatablad 2.10)



## Schlüter®-QUADEC-MC

Messing verchroomd

H (mm)	L = 2,50 m Art.-No.	€ / m	KV (st.)
6	Q 60 MC	<b>35,48</b>	120
8	Q 80 MC	<b>37,50</b>	120
10	Q 100 MC	<b>39,09</b>	120
11	Q 110 MC	<b>40,23</b>	120
12,5	Q 125 MC	<b>41,26</b>	120
15	Q 150 MC	<b>43,48</b>	120

## Hoek

## Schlüter®-QUADEC-MC/EV

Buiten-/binnenhoek 90°  
massief messing verchroomd

H (mm)	Art.-No.	€ / St.	P (st.)
6	EV / Q 60 MC	<b>20,39</b>	50
8	EV / Q 80 MC	<b>20,88</b>	50
10	EV / Q 100 MC	<b>22,52</b>	50
11	EV / Q 110 MC	<b>22,84</b>	50
12,5	EV / Q 125 MC	<b>23,05</b>	50
15	EV / Q 150 MC	<b>23,94</b>	50

## Schlüter®-QUADEC-MC/ED

Buiten-/binnenhoek 90°  
imitatie metaal-spuitsietwerk

H (mm)	Art.-No.	€ / St.	P (st.)
6	ED / Q 60 MC	<b>4,67</b>	50
8	ED / Q 80 MC	<b>4,67</b>	50
10	ED / Q 100 MC	<b>4,67</b>	50
11	ED / Q 110 MC	<b>4,67</b>	50
12,5	ED / Q 125 MC	<b>4,67</b>	50
15	ED / Q 150 MC	<b>4,67</b>	50



Het hoekstukje kan zowel voor binnen- als voor buitenhoeken worden gebruikt.

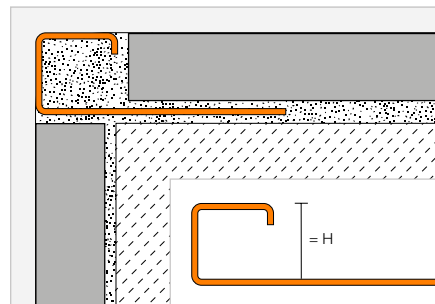


## Afsluitprofiel

### Schlüter®-QUADEC-E



Schlüter-QUADEC-E is een hoogwaardig afsluitprofiel uit roestvast staal voor uitwendige hoeken in wandbetegeling en biedt een goede randbescherming. Het zichtbare oppervlak van het profiel vormt een rechthoekige buitenhoek voor de tegelbekleding. (Productdatablad 2.10)



#### Schlüter®-QUADEC-E



Roestvast staal V2A

H (mm)	L = 2,50 m Art.-No.	€ / m	KV (st.)
4,5	Q 45 E	13,66	120
6	Q 60 E	14,57	120
7	Q 70 E	15,14	120
8	Q 80 E	15,71	120
9	Q 90 E	16,49	120
10	Q 100 E	16,81	120
11	Q 110 E	17,20	120
12,5	Q 125 E	17,84	120
14	Q 140 E	18,47	120
15	Q 150 E	18,99	120

#### Schlüter®-QUADEC-EB



Roestvast staal V2A geborsteld

H (mm)	L = 2,50 m Art.-No.	€ / m	KV (st.)
—	—	—	—
6	Q 60 EB	19,13	120
7	Q 70 EB	19,74	120
8	Q 80 EB	20,60	120
9	Q 90 EB	21,45	120
10	Q 100 EB	22,09	120
11	Q 110 EB	22,95	120
12,5	Q 125 EB	23,45	120
14	Q 140 EB	24,66	120
15	Q 150 EB	25,03	120

#### Schlüter®-QUADEC-EP



Roestvast staal V2A glanzend gepolijst

H (mm)	L = 2,50 m Art.-No.	€ / m	KV (st.)
—	—	—	—
6	Q 60 EP	26,55	120
—	—	—	—
8	Q 80 EP	27,64	120
—	—	—	—
10	Q 100 EP	28,76	120
—	—	—	—
12,5	Q 125 EP	30,98	120
—	—	—	—
15	Q 150 EP	33,17	120

#### Schlüter®-QUADEC-E V4A



Roestvast staal V4A

H (mm)	L = 2,50 m Art.-No.	€ / m	KV (st.)
6	Q 60 E / V4A	16,22	120
8	Q 80 E / V4A	17,47	120
10	Q 100 E / V4A	18,72	120
12,5	Q 125 E / V4A	19,80	120

#### Opmerking:

Schlüter-QUADEC-E/-EB profielen in 14/15 mm hoogte zijn niet met radiusperforatie verkrijgbaar.

Schlüter-QUADEC-EP profielen in 15 mm hoogte zijn niet met radiusperforatie verkrijgbaar.

Voor 3 m lengte Art.-No. "/300" aanvullen (bijv. Q 60 E/300).

## Hoek | Eindkapje | Verbindingsstuk

#### Schlüter®-QUADEC-E/EV

Buiten-/binnenhoek 90°  
massief roestvast staal V2A

H (mm)	Art.-No.	€ / St.	P (st.)
4,5	EV / Q 45 E	23,78	50
6	EV / Q 60 E	24,27	50
7	EV / Q 70 E	24,59	50
8	EV / Q 80 E	24,92	50
9	EV / Q 90 E	26,42	50
10	EV / Q 100 E	26,93	50
11	EV / Q 110 E	27,23	50
12,5	EV / Q 125 E	27,53	50
14	EV / Q 140 E	28,03	50
15	EV / Q 150 E	28,21	50

#### Schlüter®-QUADEC-E/ED

Buiten-/binnenhoek 90°  
imitatie metaal-spuitsigtwerk

H (mm)	Art.-No.	€ / St.	P (st.)
4,5	ED / Q 45 E	4,74	50
6	ED / Q 60 E	4,74	50
7	ED / Q 70 E	4,74	50
8	ED / Q 80 E	4,74	50
9	ED / Q 90 E	4,74	50
10	ED / Q 100 E	4,74	50
11	ED / Q 110 E	4,74	50
12,5	ED / Q 125 E	4,74	50
14	ED / Q 140 E	4,74	50
15	ED / Q 150 E	4,74	50





**Schlüter®-QUADEC-EB/EV**

Buiten-/binnenhoek 90°  
massief roestvast staal V2A geborsteld

H (mm)	Art.-No.	€ / St.	P (st.)
6	EV / Q 60 EB	<b>28,23</b>	50
7	EV / Q 70 EB	<b>28,57</b>	50
8	EV / Q 80 EB	<b>28,94</b>	50
9	EV / Q 90 EB	<b>29,95</b>	50
10	EV / Q 100 EB	<b>31,26</b>	50
11	EV / Q 110 EB	<b>31,46</b>	50
12,5	EV / Q 125 EB	<b>31,94</b>	50
14	EV / Q 140 EB	<b>32,16</b>	50
15	EV / Q 150 EB	<b>32,70</b>	50

**Schlüter®-QUADEC-EB/ED**

Buiten-/binnenhoek 90°  
imitatie metaal-spuitsietwerk geborsteld

H (mm)	Art.-No.	€ / St.	P (st.)
6	ED / Q 60 EB	<b>6,92</b>	50
7	ED / Q 70 EB	<b>6,92</b>	50
8	ED / Q 80 EB	<b>6,92</b>	50
9	ED / Q 90 EB	<b>6,92</b>	50
10	ED / Q 100 EB	<b>6,92</b>	50
11	ED / Q 110 EB	<b>6,92</b>	50
12,5	ED / Q 125 EB	<b>6,92</b>	50
14	ED / Q 140 EB	<b>6,92</b>	50
15	ED / Q 150 EB	<b>6,92</b>	50

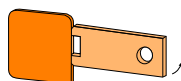


Het hoekstukje kan zowel voor binnen- als voor buitenhoeken worden gebruikt.

**Schlüter®-QUADEC-EB/EK\***

Eindkapje roestvast staal V2A geborsteld

H (mm)	Art.-No.	€ / St.	P (st.)
6	EK / Q 60 EB	<b>2,41</b>	50
7	EK / Q 70 EB	<b>2,41</b>	50
8	EK / Q 80 EB	<b>2,41</b>	50
9	EK / Q 90 EB	<b>2,41</b>	50
10	EK / Q 100 EB	<b>2,41</b>	50
11	EK / Q 110 EB	<b>2,41</b>	50
12,5	EK / Q 125 EB	<b>2,41</b>	50
14	EK / Q 140 EB	<b>2,41</b>	50
15	EK / Q 150 EB	<b>2,41</b>	50



Schlüter-QUADEC-EB/EK

\* Voor Schlüter-QUADEC-E, V2A geschikt.

**Schlüter®-QUADEC-EP/EV**

Buiten-/binnenhoek 90°  
massief roestvast staal V2A gepolijst

H (mm)	Art.-No.	€ / St.	P (st.)
6	EV / Q 60 EP	<b>26,92</b>	50
8	EV / Q 80 EP	<b>28,54</b>	50
10	EV / Q 100 EP	<b>30,58</b>	50
12,5	EV / Q 125 EP	<b>33,17</b>	50
15	EV / Q 150 EP	<b>36,85</b>	50

**Schlüter®-QUADEC-EP/ED**

Buiten-/binnenhoek 90°  
imitatie metaal-spuitsietwerk gepolijst

H (mm)	Art.-No.	€ / St.	P (st.)
6	ED / Q 60 EP	<b>4,80</b>	50
8	ED / Q 80 EP	<b>4,80</b>	50
10	ED / Q 100 EP	<b>4,80</b>	50
12,5	ED / Q 125 EP	<b>4,80</b>	50
15	ED / Q 150 EP	<b>4,80</b>	50

**Schlüter®-QUADEC-EV V4A**

Buiten-/binnenhoek 90°  
massief roestvast staal V4A

H (mm)	Art.-No.	€ / St.	P (st.)
6	EV / Q 60 E/V4A	<b>27,00</b>	50
8	EV / Q 80 E/V4A	<b>27,69</b>	50
10	EV / Q 100 E/V4A	<b>29,94</b>	50
12,5	EV / Q 125 E/V4A	<b>30,59</b>	50

**Schlüter®-RONDEC-E/V**

Verbindingsstuk  
voor roestvaststalen profielen

H (mm)	Art.-No.	€ / St.	P (st.)
6	V / RO 60 E	<b>2,38</b>	50
8	V / RO 80 E	<b>2,38</b>	50
10	V / RO 100 E	<b>2,38</b>	50
11	V / RO 110 E	<b>2,38</b>	50
12,5	V / RO 125 E	<b>2,38</b>	50



Voor Schlüter-RONDEC en -QUADEC geschikt.



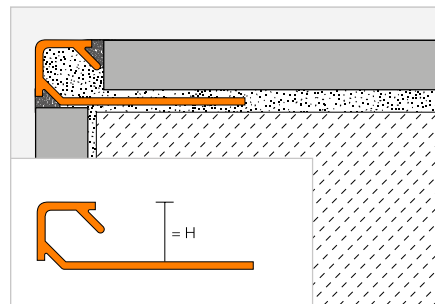
## Afsluitprofiel

### Schlüter®-QUADEC-TS



Schlüter-QUADEC-TS is een hoogwaardig afsluitprofiel uit aluminium met een bijzondere structuurcoating voor uitwendige hoeken in wandbetegeling en biedt een goede randbescherming. Het zichtbare oppervlak van het profiel vormt een rechthoekige buitenhoek voor de tegelbekleding. Dankzij het voegribje wordt een vaste voegafstand tot de tegel bepaald.

(Productdatablad 2.10)



#### Schlüter®-QUADEC-MBW



Alu. met kleurcoating, zuiver wit mat

H (mm)	L = 2,50 m Art.-No.	€ / m	KV (st.)
4,5	Q 45 MBW	<b>7,82</b>	120
6	Q 60 MBW	<b>8,29</b>	120
8	Q 80 MBW	<b>9,28</b>	120
10	Q 100 MBW	<b>10,16</b>	120
11	Q 110 MBW	<b>11,37</b>	120
12,5	Q 125 MBW	<b>12,70</b>	120

#### Schlüter®-QUADEC-MGS



Alu. met kleurcoating, grafietzwart mat

H (mm)	L = 2,50 m Art.-No.	€ / m	KV (st.)
4,5	Q 45 MGS	<b>7,82</b>	120
6	Q 60 MGS	<b>8,29</b>	120
8	Q 80 MGS	<b>9,28</b>	120
10	Q 100 MGS	<b>10,16</b>	120
11	Q 110 MGS	<b>11,37</b>	120
12,5	Q 125 MGS	<b>12,70</b>	120

#### Schlüter®-QUADEC-TSB



Alu. structuur-gecoat beige

H (mm)	L = 2,50 m Art.-No.	€ / m	KV (st.)
4,5	Q 45 TSB	<b>15,16</b>	120
6	Q 60 TSB	<b>15,81</b>	120
8	Q 80 TSB	<b>17,15</b>	120
10	Q 100 TSB	<b>18,45</b>	120
11	Q 110 TSB	<b>19,12</b>	120
12,5	Q 125 TSB	<b>20,10</b>	120

#### Schlüter®-QUADEC-TSBG



Alu. structuur-gecoat beigegrijs

H (mm)	L = 2,50 m Art.-No.	€ / m	KV (st.)
4,5	Q 45 TSBG	<b>15,16</b>	120
6	Q 60 TSBG	<b>15,81</b>	120
8	Q 80 TSBG	<b>17,15</b>	120
10	Q 100 TSBG	<b>18,45</b>	120
11	Q 110 TSBG	<b>19,12</b>	120
12,5	Q 125 TSBG	<b>20,10</b>	120

#### Schlüter®-QUADEC-TSC



Alu. structuur-gecoat crème

H (mm)	L = 2,50 m Art.-No.	€ / m	KV (st.)
4,5	Q 45 TSC	<b>15,16</b>	120
6	Q 60 TSC	<b>15,81</b>	120
8	Q 80 TSC	<b>17,15</b>	120
10	Q 100 TSC	<b>18,45</b>	120
11	Q 110 TSC	<b>19,12</b>	120
12,5	Q 125 TSC	<b>20,10</b>	120

#### Schlüter®-QUADEC-TSDA



Alu. structuur-gecoat donker antraciet

H (mm)	L = 2,50 m Art.-No.	€ / m	KV (st.)
4,5	Q 45 TSDA	<b>15,16</b>	120
6	Q 60 TSDA	<b>15,81</b>	120
8	Q 80 TSDA	<b>17,15</b>	120
10	Q 100 TSDA	<b>18,45</b>	120
11	Q 110 TSDA	<b>19,12</b>	120
12,5	Q 125 TSDA	<b>20,10</b>	120

#### Schlüter®-QUADEC-TSG



Alu. structuur-gecoat grijs

H (mm)	L = 2,50 m Art.-No.	€ / m	KV (st.)
4,5	Q 45 TSG	<b>15,16</b>	120
6	Q 60 TSG	<b>15,81</b>	120
8	Q 80 TSG	<b>17,15</b>	120
10	Q 100 TSG	<b>18,45</b>	120
11	Q 110 TSG	<b>19,12</b>	120
12,5	Q 125 TSG	<b>20,10</b>	120

#### Schlüter®-QUADEC-TSI



Alu. structuur-gecoat ivoor

H (mm)	L = 2,50 m Art.-No.	€ / m	KV (st.)
4,5	Q 45 TSI	<b>15,16</b>	120
6	Q 60 TSI	<b>15,81</b>	120
8	Q 80 TSI	<b>17,15</b>	120
10	Q 100 TSI	<b>18,45</b>	120
11	Q 110 TSI	<b>19,12</b>	120
12,5	Q 125 TSI	<b>20,10</b>	120

#### Schlüter®-QUADEC-TSLA



Alu. structuur-gecoat licht antraciet

H (mm)	L = 2,50 m Art.-No.	€ / m	KV (st.)
4,5	Q 45 TSLA	<b>15,16</b>	120
6	Q 60 TSLA	<b>15,81</b>	120
8	Q 80 TSLA	<b>17,15</b>	120
10	Q 100 TSLA	<b>18,45</b>	120
11	Q 110 TSLA	<b>19,12</b>	120
12,5	Q 125 TSLA	<b>20,10</b>	120

#### Schlüter®-QUADEC-TSOB



Alu. structuur-gecoat brons

H (mm)	L = 2,50 m Art.-No.	€ / m	KV (st.)
4,5	Q 45 TSOB	<b>15,16</b>	120
6	Q 60 TSOB	<b>15,81</b>	120
8	Q 80 TSOB	<b>17,15</b>	120
10	Q 100 TSOB	<b>18,45</b>	120
11	Q 110 TSOB	<b>19,12</b>	120
12,5	Q 125 TSOB	<b>20,10</b>	120

#### Schlüter®-QUADEC-TSR



Alu. structuur-gecoat roestbruin

H (mm)	L = 2,50 m Art.-No.	€ / m	KV (st.)
4,5	Q 45 TSR	<b>15,16</b>	120
6	Q 60 TSR	<b>15,81</b>	120
8	Q 80 TSR	<b>17,15</b>	120
10	Q 100 TSR	<b>18,45</b>	120
11	Q 110 TSR	<b>19,12</b>	120
12,5	Q 125 TSR	<b>20,10</b>	120

#### Schlüter®-QUADEC-TSSG



Alu. structuur-gecoat steengrijs

H (mm)	L = 2,50 m Art.-No.	€ / m	KV (st.)
4,5	Q 45 TSSG	<b>15,16</b>	120
6	Q 60 TSSG	<b>15,81</b>	120
8	Q 80 TSSG	<b>17,15</b>	120
10	Q 100 TSSG	<b>18,45</b>	120
11	Q 110 TSSG	<b>19,12</b>	120
12,5	Q 125 TSSG	<b>20,10</b>	120

Voor 3 m lengte Art.-No. "/300" aanvullen (bijv. Q 60 TSI/300).

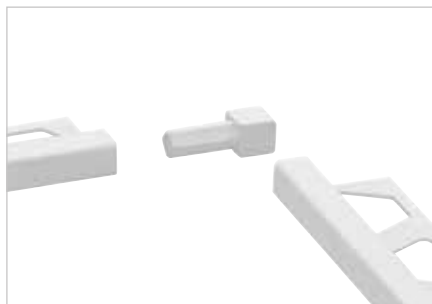
## Hoek | Verbindingsstuk



## Schlüter®-QUADEC-AC/ED

Buitenhoek 90°  
voor QUADEC-MBW/-MGS imitatie metaal-spuitsietwerk

H (mm)	Art.-No.	€ / St.	P (st.)
4,5	ED / Q 45 ...*	<b>4,67</b>	50
6	ED / Q 60 ...*	<b>4,67</b>	50
8	ED / Q 80 ...*	<b>4,67</b>	50
10	ED / Q 100 ...*	<b>4,67</b>	50
11	ED / Q 110 ...*	<b>4,67</b>	50
12,5	ED / Q 125 ...*	<b>4,67</b>	50



## Schlüter®-QUADEC-AC/EV

Buiten-/binnenhoek 90°  
voor QUADEC-MBW/-MGS massief alu.

H (mm)	Art.-No.	€ / St.	P (st.)
4,5	EV / Q 45 ...*	<b>12,52</b>	50
6	EV / Q 60 ...*	<b>12,52</b>	50
8	EV / Q 80 ...*	<b>12,52</b>	50
10	EV / Q 100 ...*	<b>12,52</b>	50
11	EV / Q 110 ...*	<b>12,52</b>	50
12,5	EV / Q 125 ...*	<b>12,52</b>	50



## Schlüter®-QUADEC-TS/EV

Buiten-/binnenhoek 90°  
alu. structuur-gecoat

H (mm)	Art.-No.	€ / St.	P (st.)
4,5	EV / Q 45 ...**	<b>12,52</b>	50
6	EV / Q 60 ...**	<b>12,52</b>	50
8	EV / Q 80 ...**	<b>12,52</b>	50
10	EV / Q 100 ...**	<b>12,52</b>	50
11	EV / Q 110 ...**	<b>12,52</b>	50
12,5	EV / Q 125 ...**	<b>12,52</b>	50



## Art.-No. aanvullen met oppervlak/kleur (bijv. ED / Q 45 MGS)

\* Oppervlakken/kleuren: MBW - MGS

\*\* Oppervlakken/kleuren: TSB - TSBG - TSC - TSDA - TSG - TSI - TSLA - TSOB - TSR - TSSG

## Schlüter®-RONDEC-A/V

Verbindingsstuk voor aluminium profielen

H (mm)	Art.-No.	€ / St.	P (st.)
6	V / RO 60	<b>1,27</b>	50
8	V / RO 80	<b>1,27</b>	50
10	V / RO 100	<b>1,27</b>	50
11	V / RO 110	<b>1,27</b>	50
12,5	V / RO 125	<b>1,27</b>	50

## Schlüter®-QUADEC-A/V

Verbindingsstuk voor aluminium profielen

H (mm)	Art.-No.	€ / St.	P (st.)
6	V / Q 60	<b>1,27</b>	50



Schlüter-RONDEC-A/V – voor Schlüter-RONDEC en -QUADEC geschikt. Met uitzondering van H = 6 mm, daarvoor is het verbindingsstuk V/RO60 voor RONDEC en V/Q60 voor QUADEC beschikbaar.

## Beschikbare oppervlakken | Kleuren



Een overzicht van de oppervlakken en kleuren vindt u vanaf pagina 340.



# Schlüter®-QUADEC-A

Een waaier van geanodiseerde oppervlakken

- ✓ Hoogwaardig geanodiseerde aluminium profielen
- ✓ Vijf verschillende kleurnuances
- ✓ Vier verschillende oppervlakken:
  - mat
  - glanzend
  - geborsteld
  - kruiselings geschuurd

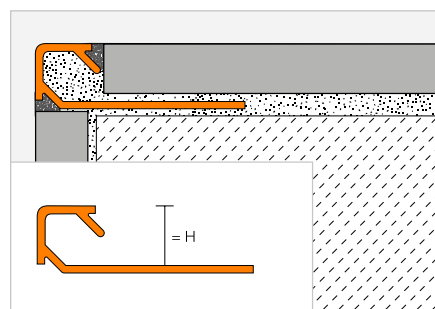


## Afsluitprofiel

### Schlüter®-QUADEC-A



Schlüter-QUADEC-A is een hoogwaardig afsluitprofiel uit geanodiseerd aluminium voor uitwendige hoeken in wandbetegeling en biedt een goede randbescherming. Het zichtbare oppervlak van het profiel vormt een rechthoekige buitenhoek voor de tegelbekleding. Dankzij het voegribje wordt een vaste voegafstand tot de tegel bepaald. (Productdatablad 2.10)



#### Schlüter®-QUADEC-AE



Alu. bruut mat geanodiseerd

H (mm)	L = 2,50 m Art.-No.	€ / m	KV (st.)
4,5	Q 45 AE	<b>6,68</b>	120
6	Q 60 AE	<b>6,94</b>	120
8	Q 80 AE	<b>7,51</b>	120
10	Q 100 AE	<b>8,20</b>	120
11	Q 110 AE	<b>8,51</b>	120
12,5	Q 125 AE	<b>8,77</b>	120

#### Schlüter®-QUADEC-ACG



Alu. chroom glanzend geanodiseerd

H (mm)	L = 2,50 m Art.-No.	€ / m	KV (st.)
4,5	Q 45 ACG	<b>15,03</b>	120
6	Q 60 ACG	<b>15,79</b>	120
8	Q 80 ACG	<b>16,59</b>	120
10	Q 100 ACG	<b>17,63</b>	120
11	Q 110 ACG	<b>18,45</b>	120
12,5	Q 125 ACG	<b>19,62</b>	120

#### Schlüter®-QUADEC-ACGB



Alu. chroom geborsteld geanodiseerd

H (mm)	L = 2,50 m Art.-No.	€ / m	KV (st.)
4,5	Q 45 ACGB	<b>15,34</b>	120
6	Q 60 ACGB	<b>16,05</b>	120
8	Q 80 ACGB	<b>17,97</b>	120
10	Q 100 ACGB	<b>18,94</b>	120
11	Q 110 ACGB	<b>19,37</b>	120
12,5	Q 125 ACGB	<b>19,84</b>	120



**Schlüter®-QUADEC-AT**

Alu. titanium mat geanodiseerd

H (mm)	L = 2,50 m Art.-No.	€ / m	KV (st.)
4,5	Q 45 AT	<b>7,01</b>	120
6	Q 60 AT	<b>7,33</b>	120
8	Q 80 AT	<b>8,01</b>	120
10	Q 100 AT	<b>8,69</b>	120
11	Q 110 AT	<b>9,09</b>	120
12,5	Q 125 AT	<b>9,58</b>	120

**Schlüter®-QUADEC-ATG**

Alu. titanium glanzend geanodiseerd

H (mm)	L = 2,50 m Art.-No.	€ / m	KV (st.)
4,5	Q 45 ATG	<b>15,03</b>	120
6	Q 60 ATG	<b>15,79</b>	120
8	Q 80 ATG	<b>16,59</b>	120
10	Q 100 ATG	<b>17,63</b>	120
11	Q 110 ATG	<b>18,45</b>	120
12,5	Q 125 ATG	<b>19,62</b>	120

**Schlüter®-QUADEC-ATGB**

Alu. titanium geborsteld geanodiseerd

H (mm)	L = 2,50 m Art.-No.	€ / m	KV (st.)
4,5	Q 45 ATGB	<b>15,34</b>	120
6	Q 60 ATGB	<b>16,05</b>	120
8	Q 80 ATGB	<b>17,97</b>	120
10	Q 100 ATGB	<b>18,94</b>	120
11	Q 110 ATGB	<b>19,37</b>	120
12,5	Q 125 ATGB	<b>19,84</b>	120

**Schlüter®-QUADEC-AEX**

Alu. bruut kruiselings geschuurd geanodiseerd

H (mm)	L = 2,50 m Art.-No.	€ / m	KV (st.)
6	Q 60 AEX	<b>16,05</b>	120
8	Q 80 AEX	<b>17,97</b>	120
10	Q 100 AEX	<b>18,94</b>	120
11	Q 110 AEX	<b>19,45</b>	120
12,5	Q 125 AEX	<b>19,84</b>	120

**Schlüter®-QUADEC-AMX**

Alu. messing kruiselings geschuurd geanodiseerd

H (mm)	L = 2,50 m Art.-No.	€ / m	KV (st.)
6	Q 60 AMX	<b>16,05</b>	120
8	Q 80 AMX	<b>17,97</b>	120
10	Q 100 AMX	<b>18,94</b>	120
11	Q 110 AMX	<b>19,45</b>	120
12,5	Q 125 AMX	<b>19,84</b>	120

**Schlüter®-QUADEC-ATX**

Alu. titanium kruiselings geschuurd geanodiseerd

H (mm)	L = 2,50 m Art.-No.	€ / m	KV (st.)
6	Q 60 ATX	<b>16,05</b>	120
8	Q 80 ATX	<b>17,97</b>	120
10	Q 100 ATX	<b>18,94</b>	120
11	Q 110 ATX	<b>19,45</b>	120
12,5	Q 125 ATX	<b>19,84</b>	120

**Schlüter®-QUADEC-AQGX**

Alu. kwartsgrijs kruiselings geschuurd geanodiseerd

H (mm)	L = 2,50 m Art.-No.	€ / m	KV (st.)
6	Q 60 AQGX	<b>16,05</b>	120
8	Q 80 AQGX	<b>17,97</b>	120
10	Q 100 AQGX	<b>18,94</b>	120
11	Q 110 AQGX	<b>19,45</b>	120
12,5	Q 125 AQGX	<b>19,84</b>	120

Voor 3 m lengte Art.-No. "/300" aanvullen (bijv. Q 60 AE/300).

**Hoek | Verbindingsstuk****Schlüter®-QUADEC-A/EV**Buiten-/binnenhoek 90°  
massief alu.

H (mm)	Art.-No.	€ / St.	P (st.)
4,5	EV / Q 45 ...*	<b>8,51</b>	50
6	EV / Q 60 ...**	<b>8,69</b>	50
8	EV / Q 80 ...**	<b>9,07</b>	50
10	EV / Q 100 ...**	<b>9,42</b>	50
11	EV / Q 110 ...**	<b>9,66</b>	50
12,5	EV / Q 125 ...**	<b>9,82</b>	50

**Schlüter®-QUADEC-A/ED**Buitenhoek 90°  
imitatie alu.

H (mm)	Art.-No.	€ / St.	P (st.)
4,5	ED / Q 45 ...*	<b>4,67</b>	50
6	ED / Q 60 ...*	<b>4,67</b>	50
8	ED / Q 80 ...*	<b>4,67</b>	50
10	ED / Q 100 ...*	<b>4,67</b>	50
11	ED / Q 110 ...*	<b>4,67</b>	50
12,5	ED / Q 125 ...*	<b>4,67</b>	50

**Schlüter®-RONDEC-A/V**Verbindingsstuk  
voor aluminium profielen

H (mm)	Art.-No.	€ / St.	P (st.)
—	—	—	—
6	V / RO 60	<b>1,27</b>	50
8	V / RO 80	<b>1,27</b>	50
10	V / RO 100	<b>1,27</b>	50
11	V / RO 110	<b>1,27</b>	50
12,5	V / RO 125	<b>1,27</b>	50

**Schlüter®-QUADEC-A/V**

Verbindingsstuk voor aluminium profielen

H (mm)	Art.-No.	€ / St.	P (st.)
6	V / Q 60	<b>1,27</b>	50



Schlüter-ROnDEC-A/V – voor Schlüter-ROnDEC en -QUADEC geschikt. Met uitzondering van H = 6 mm, daarvoor is het verbindingsstuk V/RO60 voor RONDEC en V/Q60 voor QUADEC beschikbaar.

**Art.-No. aanvullen met oppervlak (bijv. ED / Q 45 ACGB)**

\* Oppervlakken: ACG - ACGB - AE - AT - ATG - ATGB

\*\* Oppervlakken: ACG - ACGB - AE - AEX - AMX - AQGX - AT - ATG - ATGB - ATX

Een overzicht van de oppervlakken en kleuren vindt u vanaf pagina 340.



# Schlüter-profielen

Absoluut trendy: zwart in de badkamer

Zwart is en blijft nog steeds de trend. Met profielen, planchetten en afwateringssystemen in grafietzwart mat (MGS) maakt u dus de juiste keuze. Ton sur ton of met contrasten, geef uw creativiteit alle vrijheid.

- ✓ Plaats individuele accenten
- ✓ Perfecte aanvulling op de huidige tegeltrend
- ✓ Uniforme kleuren voor de douche



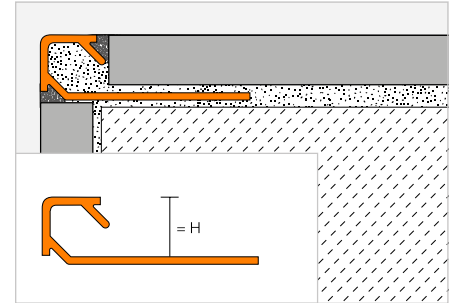


## Afsluitprofiel

## Schlüter®-QUADEC-AC



Schlüter-QUADEC-AC is een hoogwaardig afsluitprofiel uit kleurgecoat aluminium voor uitwendige hoeken in wandbetegeling en biedt een goede randbescherming. Het zichtbare oppervlak van het profiel vormt een rechthoekige buitenhoek voor de tegelbekleding. Dankzij het voegribje wordt een vaste voegafstand tot de tegel bepaald. (Productdatablad 2.10)



## Schlüter®-QUADEC-AC



Alu. met kleurcoating

H (mm)	L = 2,50 m Art.-No.	€ / m	KV (st.)
4,5	Q 45 ...*	<b>7,82</b>	120
6	Q 60 ...**	<b>8,29</b>	120
8	Q 80 ...**	<b>9,28</b>	120
10	Q 100 ...**	<b>10,16</b>	120
11	Q 110 ...**	<b>11,37</b>	120
12,5	Q 125 ...**	<b>12,70</b>	120



Voor 3 m lengte Art.-No. "/300" aanvullen (bijv. Q 60 BW/300).

## Hoek | Verbindingsstuk

## Schlüter®-QUADEC-AC/ED

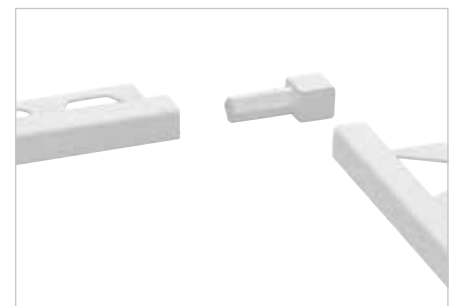
Buitenhoek 90°  
imitatie metaal-spuitsietwerk

H (mm)	Art.-No.	€ / St.	P (st.)
4,5	ED / Q 45 ...*	<b>4,67</b>	50
6	ED / Q 60 ...**	<b>4,67</b>	50
8	ED / Q 80 ...**	<b>4,67</b>	50
10	ED / Q 100 ...**	<b>4,67</b>	50
11	ED / Q 110 ...**	<b>4,67</b>	50
12,5	ED / Q 125 ...**	<b>4,67</b>	50

## Schlüter®-QUADEC-AC/EV

Buiten-/binnenhoek 90°  
voor QUADEC-MBW/-MGS massief alu.

H (mm)	Art.-No.	€ / St.	P (st.)
4,5	EV / Q 45 ...***	<b>12,52</b>	50
6	EV / Q 60 ...***	<b>12,52</b>	50
8	EV / Q 80 ...***	<b>12,52</b>	50
10	EV / Q 100 ...***	<b>12,52</b>	50
11	EV / Q 110 ...***	<b>12,52</b>	50
12,5	EV / Q 125 ...***	<b>12,52</b>	50



## Schlüter®-RONDEC-A/V

Verbindingsstuk voor aluminium profielen

H (mm)	Art.-No.	€ / St.	P (st.)
6	V / RO 60	<b>1,27</b>	50
8	V / RO 80	<b>1,27</b>	50
10	V / RO 100	<b>1,27</b>	50
11	V / RO 110	<b>1,27</b>	50
12,5	V / RO 125	<b>1,27</b>	50

## Schlüter®-QUADEC-A/V

Verbindingsstuk voor aluminium profielen

H (mm)	Art.-No.	€ / St.	P (st.)
6	V / Q 60	<b>1,27</b>	50



Schlüter-RONDEC-A/V – voor Schlüter-RONDEC en -QUADEC geschikt. Met uitzondering van H = 6 mm, daarvoor is het verbindingstuk V/RO60 voor RONDEC en V/Q60 voor QUADEC beschikbaar.

## Art.-No. kleur toevoegen (bijv. EV / Q 45 MBW)



\* Kleuren: BW - G - MBW - MGS - PG - PW - QG - VG - W

\*\* Kleuren: BW - GS - MBW - MGS - PG - QG - VG - W

\*\*\* Kleuren: MBW - MGS

Kleuren L = 3,00 m: BW - GS - MBW - MGS - PG - QG - VG - W

Een overzicht van de oppervlakken en kleuren vindt u vanaf pagina 340.





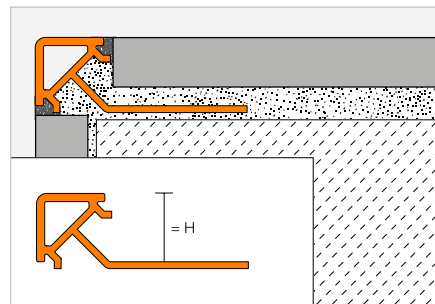
## Afsluitprofiel

### Schlüter®-QUADEC-PQ



Schlüter-QUADEC-PQ is een afsluitprofiel uit gekleurd PVC voor uitwendige hoeken in wandbetegeling en biedt een goede randbescherming. Het zichtbare oppervlak van het profiel vormt een rechthoekige buitenhoek voor de tegelbekleding. Dankzij het voegribje wordt een vaste voegafstand tot de tegel bepaald.

(Productdatablad 2.10)



### Schlüter®-QUADEC-PQ

PVC gekleurd

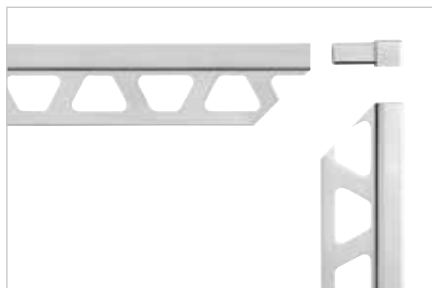
H (mm)	L = 2,50 m Art.-No.	€ / m	KV (st.)
6	PQ 60 ...*	3,08	240
8	PQ 80 ...*	3,23	240
10	PQ 100 ...*	3,43	240
11	PQ 110 ...*	3,60	240
12,5	PQ 125 ...*	3,70	240

## Hoek

### Schlüter®-QUADEC-PQ/E

Buitenhoek 90°

H (mm)	Art.-No.	€ / St.	P (st.)
6	E / PQ 60 ...*	1,92	50
8	E / PQ 80 ...*	1,92	50
10	E / PQ 100 ...*	1,92	50
11	E / PQ 110 ...*	1,92	50
12,5	E / PQ 125 ...*	1,92	50



### Art.-No. kleur toevoegen (bijv. E / PQ 60 PG)



\* Kleuren: BH - BW - GS - PG - SP - W

Een overzicht van de oppervlakken en kleuren vindt u vanaf pagina 340.



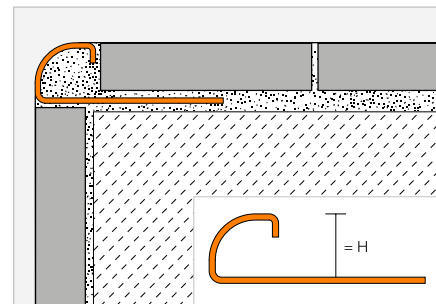
## Afsluitprofiel

## Schlüter®-RONDEC-MC



Schlüter-RODEC-MC is een symmetrisch afgerond profiel voor uitwendige hoeken in wandbetegeling en bekledingsafsluitingen bestaande uit messing met een verchromd oppervlak.

(Productdatablad 2.1)



## Schlüter®-RONDEC-MC

Messing verchromd

H (mm)	L = 2,50 m Art.-No.	€ / m	KV (st.)
6	RO 60 MC	<b>33,79</b>	120
8	RO 80 MC	<b>35,70</b>	120
10	RO 100 MC	<b>37,23</b>	120
11	RO 110 MC	<b>38,04</b>	120
12,5	RO 125 MC	<b>39,27</b>	120

## Hoek

## Schlüter®-RONDEC-MC/EV

Buitenhoek 90°  
massief messing verchromd

H (mm)	Art.-No.	€ / St.	P (st.)
6	EV / RO 60 MC	<b>17,33</b>	50
8	EV / RO 80 MC	<b>18,10</b>	50
10	EV / RO 100 MC	<b>18,87</b>	50
11	EV / RO 110 MC	<b>19,11</b>	50
12,5	EV / RO 125 MC	<b>19,62</b>	50

## Schlüter®-RONDEC-MC/ED

Buitenhoek 90°  
imitatie metaal-spuitsietwerk

H (mm)	Art.-No.	€ / St.	P (st.)
6	ED / RO 60 MC	<b>3,76</b>	50
8	ED / RO 80 MC	<b>3,76</b>	50
10	ED / RO 100 MC	<b>3,76</b>	50
11	ED / RO 110 MC	<b>3,76</b>	50
12,5	ED / RO 125 MC	<b>3,76</b>	50



## Schlüter®-RONDEC-MC/IV

Binnenhoek 90°  
massief messing verchromd

H (mm)	Art.-No.	€ / St.	P (st.)
6	IV / RO 60 MC	<b>17,33</b>	50
8	IV / RO 80 MC	<b>18,10</b>	50
10	IV / RO 100 MC	<b>18,87</b>	50
11	IV / RO 110 MC	<b>19,11</b>	50
12,5	IV / RO 125 MC	<b>19,62</b>	50

## Schlüter®-RONDEC-MC/ID

Binnenhoek 90°  
imitatie metaal-spuitsietwerk

H (mm)	Art.-No.	€ / St.	P (st.)
6	ID / RO 60 MC	<b>3,76</b>	50
8	ID / RO 80 MC	<b>3,76</b>	50
10	ID / RO 100 MC	<b>3,76</b>	50
11	ID / RO 110 MC	<b>3,76</b>	50
12,5	ID / RO 125 MC	<b>3,76</b>	50



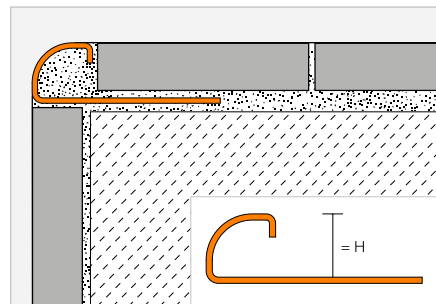


## Afsluitprofiel

### Schlüter®-RONDEC-E



Schlüter-RODEC-E is een symmetrisch afgerond profiel voor uitwendige hoeken in wandbetegeling en bekledingsafsluitingen bestaande uit roestvast staal met verschillende oppervlakken.  
(Productdatablad 2.1)



#### Schlüter®-RONDEC-E



Roestvast staal V2A

H (mm)	L = 2,50 m Art.-No.	€ / m	KV (st.)
4,5	RO 45 E	14,27	120
6	RO 60 E	14,57	120
7	RO 70 E	15,26	120
8	RO 80 E	15,71	120
9	RO 90 E	16,36	120
10	RO 100 E	16,81	120
11	RO 110 E	17,47	120
12,5	RO 125 E	17,84	120
15	RO 150 E	19,62	120
L = 1,00 m			
6	RO 60 E/100	15,18	120
8	RO 80 E/100	16,31	120
10	RO 100 E/100	17,45	120
12,5	RO 125 E/100	18,48	120

#### Schlüter®-RONDEC-EB



Roestvast staal V2A geborsteld

H (mm)	L = 2,50 m Art.-No.	€ / m	KV (st.)
—	—	—	—
6	RO 60 EB	19,13	120
7	RO 70 EB	19,97	120
8	RO 80 EB	20,60	120
9	RO 90 EB	21,36	120
10	RO 100 EB	22,09	120
11	RO 110 EB	22,72	120
12,5	RO 125 EB	23,45	120
15	RO 150 EB	25,79	120

#### Schlüter®-RONDEC-EP



Roestvast staal V2A glanzend gepolijst

H (mm)	L = 2,50 m Art.-No.	€ / m	KV (st.)
—	—	—	—
6	RO 60 EP	28,04	120
—	—	—	—
8	RO 80 EP	29,13	120
—	—	—	—
10	RO 100 EP	30,31	120
—	—	—	—
12,5	RO 125 EP	31,47	120
15	RO 150 EP	32,92	120

#### Opmerking:

Om productietechnische redenen kunnen producten met L = 1,00 m niet worden voorzien van een speciale perforatie.  
Voor 3 m lengte Art.-No. "/300" aanvullen (bijv. RO 60 E/300).

#### Schlüter®-RONDEC-E V4A



Roestvast staal V4A

H (mm)	L = 2,50 m Art.-No.	€ / m	KV (st.)
6	RO 60 E/V4A	16,45	120
8	RO 80 E/V4A	17,69	120
10	RO 100 E/V4A	18,94	120
12,5	RO 125 E/V4A	20,21	120

## Hoek | Eindkapje | Verbindingsstuk

#### Schlüter®-RONDEC-E/EV

Buitenhoek 90°  
massief roestvast staal V2A

H (mm)	Art.-No.	€ / St.	P (st.)
4,5	EV / RO 45 E	24,27	50
6	EV / RO 60 E	24,27	50
7	EV / RO 70 E	24,92	50
8	EV / RO 80 E	24,92	50
9	EV / RO 90 E	26,93	50
10	EV / RO 100 E	26,93	50
11	EV / RO 110 E	27,53	50
12,5	EV / RO 125 E	27,53	50
15	EV / RO 150 E	34,49	50

#### Schlüter®-RONDEC-E/ED

Buitenhoek 90°  
imitatie metaal-spuitsietwerk

H (mm)	Art.-No.	€ / St.	P (st.)
4,5	ED / RO 45 E	3,82	50
6	ED / RO 60 E	3,82	50
7	ED / RO 70 E	3,82	50
8	ED / RO 80 E	3,82	50
9	ED / RO 90 E	3,82	50
10	ED / RO 100 E	3,82	50
11	ED / RO 110 E	3,82	50
12,5	ED / RO 125 E	3,82	50
15	ED / RO 150 E	3,82	50

#### Schlüter®-RONDEC-E/ID

Binnenhoek 90°  
imitatie metaal-spuitsietwerk

H (mm)	Art.-No.	€ / St.	P (st.)
4,5	ID / RO 45 E	3,82	50
6	ID / RO 60 E	3,82	50
7	ID / RO 70 E	3,82	50
8	ID / RO 80 E	3,82	50
9	ID / RO 90 E	3,82	50
10	ID / RO 100 E	3,82	50
11	ID / RO 110 E	3,82	50
12,5	ID / RO 125 E	3,82	50
15	ID / RO 150 E	3,82	50

**Schlüter®-RONDEC-EB/EV**

Buitenhoek 90°  
massief roestvast staal V2A geborsteld

H (mm)	Art.-No.	€ / St.	P (st.)
6	EV / RO 60 EB	<b>28,23</b>	50
7	EV / RO 70 EB	<b>28,67</b>	50
8	EV / RO 80 EB	<b>28,94</b>	50
9	EV / RO 90 EB	<b>30,73</b>	50
10	EV / RO 100 EB	<b>31,26</b>	50
11	EV / RO 110 EB	<b>31,46</b>	50
12,5	EV / RO 125 EB	<b>31,94</b>	50
15	EV / RO 150 EB	<b>40,12</b>	50

**Schlüter®-RONDEC-EB/ED**

Buitenhoek 90°  
imitatie metaal-spuitsgietwerk geborsteld

H (mm)	Art.-No.	€ / St.	P (st.)
6	ED / RO 60 EB	<b>6,02</b>	50
7	ED / RO 70 EB	<b>6,02</b>	50
8	ED / RO 80 EB	<b>6,02</b>	50
9	ED / RO 90 EB	<b>6,02</b>	50
10	ED / RO 100 EB	<b>6,02</b>	50
11	ED / RO 110 EB	<b>6,02</b>	50
12,5	ED / RO 125 EB	<b>6,02</b>	50
15	ED / RO 150 EB	<b>6,02</b>	50

**Schlüter®-RONDEC-EB/ID**

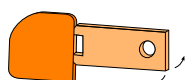
Binnenhoek 90°  
imitatie metaal-spuitsgietwerk geborsteld

H (mm)	Art.-No.	€ / St.	P (st.)
6	ID / RO 60 EB	<b>6,02</b>	50
7	ID / RO 70 EB	<b>6,02</b>	50
8	ID / RO 80 EB	<b>6,02</b>	50
9	ID / RO 90 EB	<b>6,02</b>	50
10	ID / RO 100 EB	<b>6,02</b>	50
11	ID / RO 110 EB	<b>6,02</b>	50
12,5	ID / RO 125 EB	<b>6,02</b>	50
15	ID / RO 150 EB	<b>6,02</b>	50

**Schlüter®-RONDEC-EB/EK\***

Eindkapje roestvast staal V2A geborsteld

H (mm)	Art.-No.	€ / St.	P (st.)
4,5	EK / RO 45 EB	<b>2,41</b>	50
6	EK / RO 60 EB	<b>2,41</b>	50
7	EK / RO 70 EB	<b>2,41</b>	50
8	EK / RO 80 EB	<b>2,41</b>	50
9	EK / RO 90 EB	<b>2,41</b>	50
10	EK / RO 100 EB	<b>2,41</b>	50
11	EK / RO 110 EB	<b>2,41</b>	50
12,5	EK / RO 125 EB	<b>2,41</b>	50
15	EK / RO 150 EB	<b>2,41</b>	50



Schlüter-RONDEC-EB/EK

\* Voor Schlüter-RONDEC-E en -EB geschikt.

**Schlüter®-RONDEC-EP/EV**

Buitenhoek 90°  
massief roestvast staal V2A gepolijst

H (mm)	Art.-No.	€ / St.	P (st.)
6	EV / RO 60 EP	<b>28,59</b>	50
8	EV / RO 80 EP	<b>29,32</b>	50
10	EV / RO 100 EP	<b>31,65</b>	50
12,5	EV / RO 125 EP	<b>32,35</b>	50
15	EV / RO 150 EP	<b>40,61</b>	50

**Schlüter®-RONDEC-EP/ED**

Buitenhoek 90°  
imitatie metaal-spuitsgietwerk gepolijst

H (mm)	Art.-No.	€ / St.	P (st.)
6	ED / RO 60 EP	<b>3,87</b>	50
8	ED / RO 80 EP	<b>3,87</b>	50
10	ED / RO 100 EP	<b>3,87</b>	50
12,5	ED / RO 125 EP	<b>3,87</b>	50
15	ED / RO 150 EP	<b>3,87</b>	50

**Schlüter®-RONDEC-EP/ID**

Binnenhoek 90°  
imitatie metaal-spuitsgietwerk gepolijst

H (mm)	Art.-No.	€ / St.	P (st.)
6	ID / RO 60 EP	<b>3,87</b>	50
8	ID / RO 80 EP	<b>3,87</b>	50
10	ID / RO 100 EP	<b>3,87</b>	50
12,5	ID / RO 125 EP	<b>3,87</b>	50
15	ID / RO 150 EP	<b>3,87</b>	50

**Schlüter®-RONDEC-E V4A/EV**

Buitenhoek 90°  
massief roestvast staal V4A

H (mm)	Art.-No.	€ / St.	P (st.)
6	EV / RO 60 E/V4A	<b>27,00</b>	50
8	EV / RO 80 E/V4A	<b>27,66</b>	50
10	EV / RO 100 E/V4A	<b>29,91</b>	50
12,5	EV / RO 125 E/V4A	<b>30,58</b>	50

**Schlüter®-RONDEC-E/V**

Verbindingsstuk voor roestvaststalen profielen

H (mm)	Art.-No.	€ / St.	P (st.)
6	V / RO 60 E	<b>2,38</b>	50
8	V / RO 80 E	<b>2,38</b>	50
10	V / RO 100 E	<b>2,38</b>	50
11	V / RO 110 E	<b>2,38</b>	50
12,5	V / RO 125 E	<b>2,38</b>	50



Voor Schlüter-RONDEC en -QUADEC geschikt.



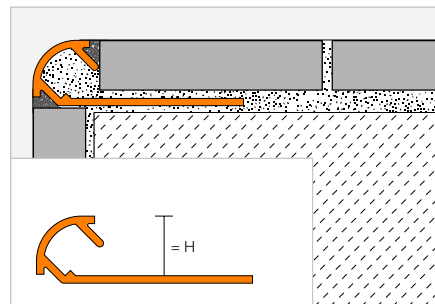
## Afsluitprofiel

### Schlüter®-RONDEC-TS



Schlüter-RODEC-TS is een symmetrisch afgerond profiel met voegribje voor uitwendige hoeken in wandbetegeling en bekledingsafsluitingen bestaande uit aluminium met een bijzondere structuurcoating. Dankzij het voegribje wordt een vaste voegafstand tot de tegel bepaald.

(Productdatablad 2.1)



#### Schlüter®-RONDEC-MBW



Alu. met kleurcoating, zuiver wit mat

H (mm)		L = 2,50 m Art.-No.	€ / m	KV (st.)
6	☺	RO 60 MBW	7,93	120
8	☺	RO 80 MBW	8,83	120
10	☺	RO 100 MBW	9,70	120
11	☺	RO 110 MBW	10,94	120
12,5	☺	RO 125 MBW	12,10	120

#### Schlüter®-RONDEC-MGS



Alu. met kleurcoating, grafietzwart mat

H (mm)		L = 2,50 m Art.-No.	€ / m	KV (st.)
6	☺	RO 60 MGS	7,93	120
8	☺	RO 80 MGS	8,83	120
10	☺	RO 100 MGS	9,70	120
11	☺	RO 110 MGS	10,94	120
12,5	☺	RO 125 MGS	12,10	120

#### Schlüter®-RONDEC-TSB



Alu. structuur-gecoat beige

H (mm)		L = 2,50 m Art.-No.	€ / m	KV (st.)
6	☺	RO 60 TSB	15,16	120
8	☺	RO 80 TSB	16,14	120
10	☺	RO 100 TSB	17,15	120
11	☺	RO 110 TSB	17,80	120
12,5	☺	RO 125 TSB	18,80	120

#### Schlüter®-RONDEC-TSBG



Alu. structuur-gecoat beigegrijs

H (mm)		L = 2,50 m Art.-No.	€ / m	KV (st.)
6	☺	RO 60 TSBG	15,16	120
8	☺	RO 80 TSBG	16,14	120
10	☺	RO 100 TSBG	17,15	120
11	☺	RO 110 TSBG	17,80	120
12,5	☺	RO 125 TSBG	18,80	120

#### Schlüter®-RONDEC-TSC



Alu. structuur-gecoat crème

H (mm)		L = 2,50 m Art.-No.	€ / m	KV (st.)
6	☺	RO 60 TSC	15,16	120
8	☺	RO 80 TSC	16,14	120
10	☺	RO 100 TSC	17,15	120
11	☺	RO 110 TSC	17,80	120
12,5	☺	RO 125 TSC	18,80	120

#### Schlüter®-RONDEC-TSDA



Alu. structuur-gecoat donker antraciet

H (mm)		L = 2,50 m Art.-No.	€ / m	KV (st.)
6	☺	RO 60 TSDA	15,16	120
8	☺	RO 80 TSDA	16,14	120
10	☺	RO 100 TSDA	17,15	120
11	☺	RO 110 TSDA	17,80	120
12,5	☺	RO 125 TSDA	18,80	120

#### Schlüter®-RONDEC-TSG



Alu. structuur-gecoat grijs

H (mm)		L = 2,50 m Art.-No.	€ / m	KV (st.)
6	☺	RO 60 TSG	15,16	120
8	☺	RO 80 TSG	16,14	120
10	☺	RO 100 TSG	17,15	120
11	☺	RO 110 TSG	17,80	120
12,5	☺	RO 125 TSG	18,80	120

#### Schlüter®-RONDEC-TSI



Alu. structuur-gecoat ivoor

H (mm)		L = 2,50 m Art.-No.	€ / m	KV (st.)
6	☺	RO 60 TSI	15,16	120
8	☺	RO 80 TSI	16,14	120
10	☺	RO 100 TSI	17,15	120
11	☺	RO 110 TSI	17,80	120
12,5	☺	RO 125 TSI	18,80	120

#### Schlüter®-RONDEC-TSLA



Alu. structuur-gecoat licht antraciet

H (mm)		L = 2,50 m Art.-No.	€ / m	KV (st.)
6	☺	RO 60 TSLA	15,16	120
8	☺	RO 80 TSLA	16,14	120
10	☺	RO 100 TSLA	17,15	120
11	☺	RO 110 TSLA	17,80	120
12,5	☺	RO 125 TSLA	18,80	120

#### Schlüter®-RONDEC-TSOB



Alu. structuur-gecoat brons

H (mm)		L = 2,50 m Art.-No.	€ / m	KV (st.)
6	☺	RO 60 TSOB	15,16	120
8	☺	RO 80 TSOB	16,14	120
10	☺	RO 100 TSOB	17,15	120
11	☺	RO 110 TSOB	17,80	120
12,5	☺	RO 125 TSOB	18,80	120

#### Schlüter®-RONDEC-TSR



Alu. structuur-gecoat roestbruin

H (mm)		L = 2,50 m Art.-No.	€ / m	KV (st.)
6	☺	RO 60 TSR	15,16	120
8	☺	RO 80 TSR	16,14	120
10	☺	RO 100 TSR	17,15	120
11	☺	RO 110 TSR	17,80	120
12,5	☺	RO 125 TSR	18,80	120

#### Schlüter®-RONDEC-TSSG



Alu. structuur-gecoat steengrijs

H (mm)		L = 2,50 m Art.-No.	€ / m	KV (st.)
6	☺	RO 60 TSSG	15,16	120
8	☺	RO 80 TSSG	16,14	120
10	☺	RO 100 TSSG	17,15	120
11	☺	RO 110 TSSG	17,80	120
12,5	☺	RO 125 TSSG	18,80	120

Voor 3 m lengte Art.-No. "/300" aanvullen (bijv. RO 60 TSI/300).



## Hoek

**Schlüter®-RONDEC-AC/ED**

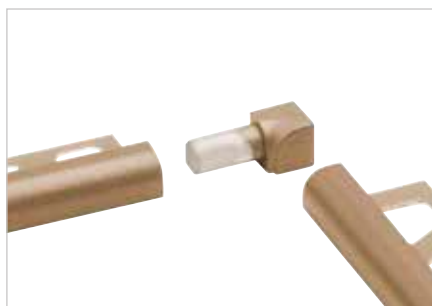
Buitenhoek 90°  
voor RONDEC-MBW/-MGS imitatie metaal-spuitgietwerk

H (mm)	Art.-No.	€ / St.	P (st.)
6	ED / RO 60 ...**	<b>3,76</b>	50
8	ED / RO 80 ...**	<b>3,76</b>	50
10	ED / RO 100 ...**	<b>3,76</b>	50
11	ED / RO 110 ...**	<b>3,76</b>	50
12,5	ED / RO 125 ...**	<b>3,76</b>	50

**Schlüter®-RONDEC-AC/ID**

Binnenhoek 90°  
voor RONDEC-MBW/-MGS imitatie metaal-spuitgietwerk

H (mm)	Art.-No.	€ / St.	P (st.)
6	ID / RO 60 ...**	<b>3,76</b>	50
8	ID / RO 80 ...**	<b>3,76</b>	50
10	ID / RO 100 ...**	<b>3,76</b>	50
11	ID / RO 110 ...**	<b>3,76</b>	50
12,5	ID / RO 125 ...**	<b>3,76</b>	50

**Schlüter®-RONDEC-TS/EV**

Buitenhoek 90°  
alu. structuur-gecoat

H (mm)	Art.-No.	€ / St.	P (st.)
6	EV / RO 60 ...*	<b>12,52</b>	50
8	EV / RO 80 ...*	<b>12,52</b>	50
10	EV / RO 100 ...*	<b>12,52</b>	50
11	EV / RO 110 ...*	<b>12,52</b>	50
12,5	EV / RO 125 ...*	<b>12,52</b>	50

**Schlüter®-RONDEC-TS/IV**

Binnenhoek 90°  
alu. structuur-gecoat

H (mm)	Art.-No.	€ / St.	P (st.)
6	IV / RO 60 ...*	<b>12,52</b>	50
8	IV / RO 80 ...*	<b>12,52</b>	50
10	IV / RO 100 ...*	<b>12,52</b>	50
11	IV / RO 110 ...*	<b>12,52</b>	50
12,5	IV / RO 125 ...*	<b>12,52</b>	50

**Art.-No. aanvullen met oppervlak/kleur (bijv. ID / RO 60 MGS)**

\* Oppervlakken/kleuren: TSB - TSBG - TSC - TSDA - TSG - TSI - TSLA - TSOB - TSR - TSSG

\*\* Oppervlakken/kleuren: MBW - MGS

## Beschikbare oppervlakken | Kleuren



Een overzicht van de oppervlakken en kleuren vindt u vanaf pagina 340.

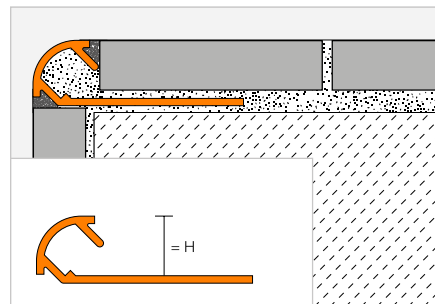


## Afsluitprofiel

### Schlüter®-RONDEC-A



Schlüter-RODEC-A geanodiseerd is een symmetrisch afgerond profiel met voegribje voor uitwendige hoeken in wandbetegeling en bekledingsafsluitingen bestaande uit aluminium met diverse geanodiseerde oppervlakken. Dankzij het voegribje wordt een vaste voegafstand tot de tegel bepaald. (Productdatablad 2.1)



#### Schlüter®-RONDEC-AE



Alu. bruut mat geanodiseerd

H (mm)	L = 2,50 m Art.-No.	€ / m	KV (st.)
6	RO 60 AE	6,64	120
8	RO 80 AE	7,20	120
9	RO 90 AE	7,51	120
10	RO 100 AE	7,85	120
11	RO 110 AE	8,09	120
12,5	RO 125 AE	8,38	120
15	RO 150 AE	8,91	120

#### Schlüter®-RONDEC-ACG



Alu. chroom glanzend geanodiseerd

H (mm)	L = 2,50 m Art.-No.	€ / m	KV (st.)
6	RO 60 ACG	15,06	120
8	RO 80 ACG	15,81	120
9	RO 90 ACG	16,27	120
10	RO 100 ACG	16,76	120
11	RO 110 ACG	17,72	120
12,5	RO 125 ACG	18,68	120
15	RO 150 ACG	19,45	120

#### Schlüter®-RONDEC-ACGB



Alu. chroom geborsteld geanodiseerd

H (mm)	L = 2,50 m Art.-No.	€ / m	KV (st.)
6	RO 60 ACGB	15,28	120
8	RO 80 ACGB	17,15	120
9	RO 90 ACGB	17,60	120
10	RO 100 ACGB	18,04	120
11	RO 110 ACGB	18,44	120
12,5	RO 125 ACGB	18,90	120
15	RO 150 ACGB	19,74	120

#### Schlüter®-RONDEC-AM



Alu. messing mat geanodiseerd

H (mm)	L = 2,50 m Art.-No.	€ / m	KV (st.)
6	RO 60 AM	6,98	120
8	RO 80 AM	7,63	120
10	RO 100 AM	8,24	120
12,5	RO 125 AM	9,12	120

#### Schlüter®-RONDEC-AMG



Alu. messing glanzend geanodiseerd

H (mm)	L = 2,50 m Art.-No.	€ / m	KV (st.)
6	RO 60 AMG	15,06	120
8	RO 80 AMG	15,81	120
10	RO 100 AMG	16,76	120
12,5	RO 125 AMG	18,68	120

#### Schlüter®-RONDEC-AMGB



Alu. messing geborsteld geanodiseerd

H (mm)	L = 2,50 m Art.-No.	€ / m	KV (st.)
6	RO 60 AMGB	15,28	120
8	RO 80 AMGB	17,15	120
10	RO 100 AMGB	18,04	120
12,5	RO 125 AMGB	18,90	120

#### Schlüter®-RONDEC-AK



Alu. koper mat geanodiseerd

H (mm)	L = 2,50 m Art.-No.	€ / m	KV (st.)
6	RO 60 AK	6,98	120
8	RO 80 AK	7,63	120
10	RO 100 AK	8,24	120
12,5	RO 125 AK	9,12	120

#### Schlüter®-RONDEC-AKG



Alu. koper glanzend geanodiseerd

H (mm)	L = 2,50 m Art.-No.	€ / m	KV (st.)
6	RO 60 AKG	15,06	120
8	RO 80 AKG	15,81	120
10	RO 100 AKG	16,76	120
12,5	RO 125 AKG	18,68	120

#### Schlüter®-RONDEC-AKGB



Alu. koper geborsteld geanodiseerd

H (mm)	L = 2,50 m Art.-No.	€ / m	KV (st.)
6	RO 60 AKGB	15,28	120
8	RO 80 AKGB	17,15	120
10	RO 100 AKGB	18,04	120
12,5	RO 125 AKGB	18,90	120

#### Schlüter®-RONDEC-AT



Alu. titanium mat geanodiseerd

H (mm)	L = 2,50 m Art.-No.	€ / m	KV (st.)
6	RO 60 AT	6,98	120
8	RO 80 AT	7,63	120
10	RO 100 AT	8,24	120
12,5	RO 125 AT	9,12	120

#### Schlüter®-RONDEC-ATG



Alu. titanium glanzend geanodiseerd

H (mm)	L = 2,50 m Art.-No.	€ / m	KV (st.)
6	RO 60 ATG	15,06	120
8	RO 80 ATG	15,81	120
10	RO 100 ATG	16,76	120
12,5	RO 125 ATG	18,68	120

#### Schlüter®-RONDEC-ATGB



Alu. titanium geborsteld geanodiseerd

H (mm)	L = 2,50 m Art.-No.	€ / m	KV (st.)
6	RO 60 ATGB	15,28	120
8	RO 80 ATGB	17,15	120
10	RO 100 ATGB	18,04	120
12,5	RO 125 ATGB	18,90	120

#### Opmerking:

Schlüter-RODEC-A profielen in 15 mm hoogte zijn niet met radiusperforatie verkrijgbaar. Voor 3 m lengte Art.-No. "/300" aanvullen (bijv. RO 60 AE/300).

**Schlüter®-RONDEC-AGSB**

Alu. grafietzwart geborsteld geanodiseerd

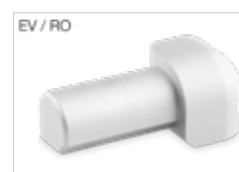
H (mm)	L = 2,50 m Art.-No.	€ / m	KV (st.)
6	RO 60 AGSB	<b>15,28</b>	120
8	RO 80 AGSB	<b>17,15</b>	120
10	RO 100 AGSB	<b>18,04</b>	120
12,5	RO 125 AGSB	<b>18,90</b>	120

**Hoek | Verbindingsstuk****Schlüter®-RONDEC-A/EV**Buitenhoek 90°  
massief alu.

H (mm)	Art.-No.	€ / St.	P (st.)
6	EV / RO 60 ...*	<b>8,69</b>	50
8	EV / RO 80 ...*	<b>9,07</b>	50
9	EV / RO 90 ...**	<b>9,26</b>	50
10	EV / RO 100 ...*	<b>9,42</b>	50
11	EV / RO 110 ...**	<b>9,57</b>	50
12,5	EV / RO 125 ...*	<b>9,82</b>	50
15	EV / RO 150 ...**	<b>10,15</b>	50

**Schlüter®-RONDEC-A/ED**Buitenhoek 90°  
imitatie metaal-spuitsietwerk

H (mm)	Art.-No.	€ / St.	P (st.)
6	ED / RO 60 ...***	<b>3,76</b>	50
8	ED / RO 80 ...***	<b>3,76</b>	50
9	ED / RO 90 ...**	<b>3,76</b>	50
10	ED / RO 100 ...***	<b>3,76</b>	50
11	ED / RO 110 ...**	<b>3,76</b>	50
12,5	ED / RO 125 ...***	<b>3,76</b>	50
15	ED / RO 150 ...**	<b>3,76</b>	50

**Schlüter®-RONDEC-A/IV**Binnenhoek 90°  
massief alu.

H (mm)	Art.-No.	€ / St.	P (st.)
6	IV / RO 60 ...*	<b>8,69</b>	50
8	IV / RO 80 ...*	<b>9,07</b>	50
9	IV / RO 90 ...**	<b>9,26</b>	50
10	IV / RO 100 ...*	<b>9,42</b>	50
11	IV / RO 110 ...**	<b>9,57</b>	50
12,5	IV / RO 125 ...*	<b>9,82</b>	50
15	IV / RO 150 ...**	<b>10,15</b>	50

**Schlüter®-RONDEC-A/ID**Binnenhoek 90°  
imitatie metaal-spuitsietwerk

H (mm)	Art.-No.	€ / St.	P (st.)
6	ID / RO 60 ...**	<b>3,76</b>	50
8	ID / RO 80 ...**	<b>3,76</b>	50
9	ID / RO 90 ...**	<b>3,76</b>	50
10	ID / RO 100 ...**	<b>3,76</b>	50
11	ID / RO 110 ...**	<b>3,76</b>	50
12,5	ID / RO 125 ...**	<b>3,76</b>	50
15	ID / RO 150 ...**	<b>3,76</b>	50

**Schlüter®-RONDEC-A/V**

Verbindingsstuk voor aluminium profielen

H (mm)	Art.-No.	€ / St.	P (st.)
6	V / RO 60	<b>1,27</b>	50
8	V / RO 80	<b>1,27</b>	50
10	V / RO 100	<b>1,27</b>	50
11	V / RO 110	<b>1,27</b>	50
12,5	V / RO 125	<b>1,27</b>	50



Het verbindingsstuk Schlüter-RODEC-A/V in de hoogte 6-12,5 mm kan voor Schlüter-RODEC en -QUADEC worden gebruikt.

**Art.-No. aanvullen met oppervlak (bijv. EV / RO 60 ACGB)**

\* Oppervlakken: ACG - ACGB - AE - AGSB - AK - AKG - AKGB - AM - AMG - AMGB - AT - ATG - ATGB

\*\* Oppervlakken: ACG - ACGB - AE

\*\*\* Oppervlakken: ACG - ACGB - AE - AT - ATG - ATGB

Een overzicht van de oppervlakken en kleuren vindt u vanaf pagina 340.



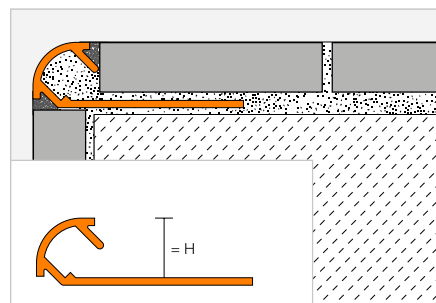
## Afsluitprofiel

### Schlüter®-RONDEC-AC



Schlüter-RODEC-AC is een symmetrisch afgerond profiel met voegribje voor uitwendige hoeken in wandbetegeling en bekledingsafsluitingen bestaand uit aluminium met een gekleurde coating. Dankzij het voegribje wordt een vaste voegafstand tot de tegel bepaald.

(Productdatablad 2.1)



#### Schlüter®-RONDEC-AC



Alu. met kleurcoating

H (mm)	L = 2,50 m Art.-No.	€ / m	KV (st.)
6	RO 60 ...*	7,93	120
8	RO 80 ...*	8,83	120
10	RO 100 ...*	9,70	120
11	RO 110 ...**	10,94	120
12,5	RO 125 ...*	12,10	120



Voor 3 m lengte Art.-No. "/300" aanvullen (bijv. RO 60 BW/300).

## Hoek | Verbindingsstuk

#### Schlüter®-RONDEC-AC/ED

Buitenhoek 90°  
imitatie metaal-spuitsietwerk

H (mm)	Art.-No.	€ / St.	P (st.)
6	ED / RO 60 ...*	3,76	50
8	ED / RO 80 ...*	3,76	50
10	ED / RO 100 ...*	3,76	50
11	ED / RO 110 ...**	3,76	50
12,5	ED / RO 125 ...*	3,76	50

#### Schlüter®-RONDEC-AC/ID

Binnenhoek 90°  
imitatie metaal-spuitsietwerk

H (mm)	Art.-No.	€ / St.	P (st.)
6	ID / RO 60 ...*	3,76	50
8	ID / RO 80 ...*	3,76	50
10	ID / RO 100 ...*	3,76	50
11	ID / RO 110 ...**	3,76	50
12,5	ID / RO 125 ...*	3,76	50



#### Schlüter®-RONDEC-A/V

Verbindingsstuk voor aluminium profielen

H (mm)	Art.-No.	€ / St.	P (st.)
6	V / RO 60	1,27	50
8	V / RO 80	1,27	50
10	V / RO 100	1,27	50
11	V / RO 110	1,27	50
12,5	V / RO 125	1,27	50



Het verbindingsstuk Schlüter-RODEC-A/V in de hoogte 6–12,5 mm kan voor Schlüter-RODEC en -QUADEC worden gebruikt.

#### Art.-No. kleur toevoegen (bijv. ID / RO 60 GM)



\* Kleuren L = 2,50 m: BH - BW - G - GM - GS - HB - HG - MBW - MGS - PG - W

\*\* Kleuren L = 2,50 m: BH - BW - MBW - MGS - PG - W

Kleuren L = 3,00 m: BW - MBW - MGS - PG - W

Een overzicht van de oppervlakken en kleuren vindt u vanaf pagina 340.



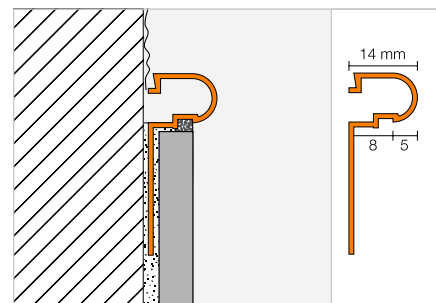
## Afsluitprofiel



## Schlüter®-RONDEC-DB



Schlüter-RODEC-DB is een decoratief profiel voor wand- en plintafsluitingen met een geaccentueerde profielroning.  
(Productdatablad 2.5)



## Schlüter®-RONDEC-DB-A

Aluminium

L = 2,50 m Art.-No.	€ / m	KV (st.)
DB 14 A	8,83	120

## Schlüter®-RONDEC-DB-AE

Alu. bruto mat geanodiseerd

L = 2,50 m Art.-No.	€ / m	KV (st.)
DB 14 AE	11,87	120

## Schlüter®-RONDEC-DB-AM

Alu. messing mat geanodiseerd

L = 2,50 m Art.-No.	€ / m	KV (st.)
DB 14 AM	11,87	120

## Schlüter®-RONDEC-DB-AC

Alu. met kleurcoating

L = 2,50 m Art.-No.	€ / m	KV (st.)
DB 14 ...*	13,74	120



## Art.-No. kleur toevoegen (bijv. DB 14 MBW)



\* Kleuren: BW - MBW - MGS

Een overzicht van de oppervlakken en kleuren vindt u vanaf pagina 340.



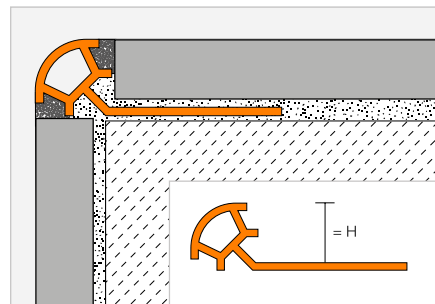
## Afsluitprofiel

### Schlüter®-RONDEC-PRO



Schlüter-RONDEC-PRO is een decoratief profiel uit gekleurd PVC voor symmetrisch afgeronde buitenhoeken in wandbeteugelingen, plinttegels en andere begrenzingen. De tegelkanten worden beschermd tegen mechanische beschadiging. Dankzij het voegribje wordt een vaste voegafstand tot de tegel bepaald.

(Productdatablad 2.1)



### Schlüter®-RONDEC-PRO

PVC gekleurd

H (mm)		L = 2,50 m Art.-No.	€ / m	KV (st.)
6	⊕	PRO 60 ...*	3,13	240
8	⊕	PRO 80 ...*	3,28	240
10	⊕	PRO 100 ...*	3,54	240
11	⊕	PRO 110 ...**	3,67	240
12,5	⊕	PRO 125 ...**	3,77	240

Voor 3 m lengte Art.-No. "/300" aanvullen (bijv. PRO 60 BW/300).

## Hoek



### Schlüter®-RONDEC-PRO/E

Buitenhoek 90°

H (mm)	Art.-No.	€ / St.	P (st.)
6	E / PRO 60 ...*	1,99	50
8	E / PRO 80 ...*	1,99	50
10	E / PRO 100 ...*	1,99	50
11	E / PRO 110 ...**	1,99	50
12,5	E / PRO 125 ...**	1,99	50

### Schlüter®-RONDEC-PRO/I

Binnenhoek 90°

H (mm)	Art.-No.	€ / St.	P (st.)
6	I / PRO 60 ...*	1,99	50
8	I / PRO 80 ...*	1,99	50
10	I / PRO 100 ...*	1,99	50
11	I / PRO 110 ...**	1,99	50
12,5	I / PRO 125 ...**	1,99	50

### Art.-No. kleur toevoegen (bijv. I / PRO 60 CA)



\* Kleuren L = 2,50 m: AP - BH - BW - CA - G - GS - HB - HG - NB - PG - SP - W

\*\* Kleuren L = 2,50 m: BW - GS - PG - SP - W

Kleuren L = 3,00 m: BW - PG - W

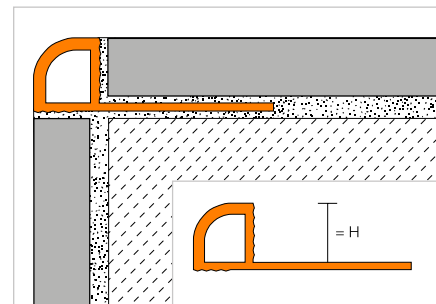
Een overzicht van de oppervlakken en kleuren vindt u vanaf pagina 340.

## Afsluitprofiel

## Schlüter®-RONDEC-PRG



Schlüter-PRG is een decoratief profiel uit gekleurd PVC voor symmetrisch afgeronde buitenhoeken in wandbeteugelingen, plinttegels en andere begrenzingen. De tegelkanten worden beschermd tegen mechanische beschadiging. (Productdatablad 2.1)



## Schlüter®-RONDEC-PRG

PVC gekleurd

H (mm)		L = 2,50 m Art.-No.	€ / m	KV (st.)
6	☺	PRG 60 ...*	3,13	240
8	☺	PRG 80 ...*	3,28	240
10	☺	PRG 100 ...*	3,54	120
12,5	☺	PRG 125 ...*	3,77	120

Voor 3 m lengte Art.-No. "/300" aanvullen (bijv. PRG 60 BW/300).

## Hoek



## Schlüter®-RONDEC-PRG/E

Buitenhoek 90°

H (mm)	Art.-No.	€ / St.	P (st.)
6	E / PRG 60 ...*	1,99	50
8	E / PRG 80 ...*	1,99	50
10	E / PRG 100 ...*	1,99	50
12,5	E / PRG 125 ...*	1,99	50

## Schlüter®-RONDEC-PRG/I

Binnenhoek 90°

H (mm)	Art.-No.	€ / St.	P (st.)
6	I / PRG 60 ...*	1,99	50
8	I / PRG 80 ...*	1,99	50
10	I / PRG 100 ...*	1,99	50
12,5	I / PRG 125 ...*	1,99	50

Art.-No. kleur toevoegen (bijv. I / PRG 60 BW)

BW PG W

\* Kleuren: BW - PG - W

Een overzicht van de oppervlakken en kleuren vindt u vanaf pagina 340.



# Schlüter®-JOLLY

We hebben de klassiekers in een nieuw jasje gestoken

JOLLY-wandafsluitprofielen behoren tot de klassiekers in ons assortiment. Zodat u nog sneller kunt werken met nog mooiere resultaten, hebben we JOLLY opnieuw uitgevonden. Het resultaat:

- ✓ Geometrie met een hoek van 90°
- ✓ Hoeken met slimme klikverbindingen
- ✓ Geen versteksede meer nodig
- ✓ Hoeken van massief materiaal
- ✓ Hoeken passen links en rechts



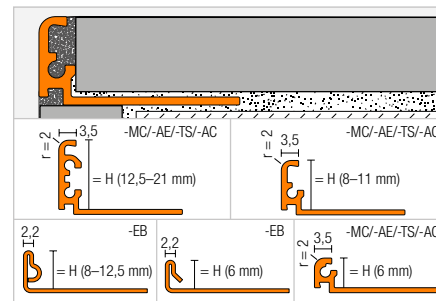


## Afsluitprofiel

## Schlüter®-JOLLY



Schlüter-JOLLY is een decoratief profiel uit metaal voor uitwendige hoeken in wandbekledingen, plinttegels en andere begrenzingen. Het afsluitvlak onder een hoek van 90° beschermt de tegels tegen mechanische beschadigingen. Door de voegribjes aan beide zijden ontstaan tussen het profiel en de tegels vaste voegruimtes. Door de geometrische insnijding aan de achterkant van het profiel ontstaat er een extra hechting voor het voegmateriaal. De hoekstukken met een innovatieve steekverbinding zorgen voor een zuivere en decoratieve hoekafwerking. (Productdatablad 2.3)



## Schlüter®-JOLLY-MC



Messing verchromd

H (mm)	L = 2,50 m Art.-No.	€ / m	KV (st.)
6	J 60 MC	29,15	120
8	J 80 MC	29,76	120
10	J 100 MC	30,35	120
11	J 110 MC	30,94	120
12,5	J 125 MC	31,54	120

## Schlüter®-JOLLY-EB



Roestvast staal V2A geborsteld

H (mm)	L = 2,50 m Art.-No.	€ / m	KV (st.)
6	J 60 EB	17,39	120
8	J 80 EB	17,74	120
10	J 100 EB	18,08	120
11	J 110 EB	18,43	120
12,5	J 125 EB	18,79	120

## Schlüter®-JOLLY-AE



Alu. bruut mat geanodiseerd

H (mm)	L = 2,50 m Art.-No.	€ / m	KV (st.)
6	J 60 AE	5,65	120
8	J 80 AE	5,89	120
10	J 100 AE	6,25	120
11	J 110 AE	6,55	120
12,5	J 125 AE	6,96	120

Voor 3 m lengte Art.-No. "/300" aanvullen (bijv. J 60 AE/300).

## Hoek | Verbindingsstuk

## Schlüter®-JOLLY-MC/EV

Buitenhoek 90°  
massief messing verchromd

H (mm)	Art.-No.	€ / St.	P (st.)
6	EV / J 60 MC	18,45	50
8	EV / J 80 MC	18,45	50
10	EV / J 100 MC	18,45	50
11	EV / J 110 MC	18,45	50
12,5	EV / J 125 MC	18,45	50

## Schlüter®-JOLLY-EB/EV

Buitenhoek 90°  
massief roestvast staal V2A geborsteld

H (mm)	Art.-No.	€ / St.	P (st.)
6	EV / J 60 EB	24,92	50
8	EV / J 80 EB	24,92	50
10	EV / J 100 EB	24,92	50
11	EV / J 110 EB	24,92	50
12,5	EV / J 125 EB	24,92	50

## Schlüter®-JOLLY-AE/EV

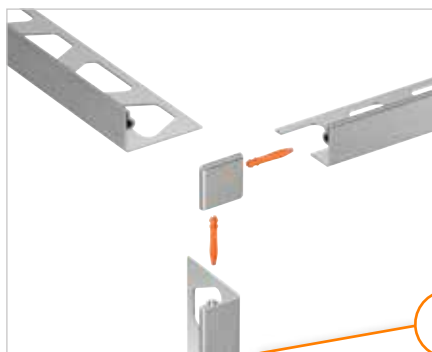
Buitenhoek 90°  
alu. bruut mat geanodiseerd

H (mm)	Art.-No.	€ / St.	P (st.)
6	EV / J 60 AE	14,87	50
8	EV / J 80 AE	14,87	50
10	EV / J 100 AE	14,87	50
11	EV / J 110 AE	14,87	50
12,5	EV / J 125 AE	14,87	50

## Schlüter®-JOLLY/V

Verbindingsstuk voor JOLLY-profielen (4 stuks)

Art.-No.	€ / Pakket	P (pakket)
V / JPP 4	3,19	50



**i**  
Verbindingspinnetjes zijn bij de levering van hoekstukken inbegrepen!

Een overzicht van de oppervlakken en kleuren vindt u vanaf pagina 340.



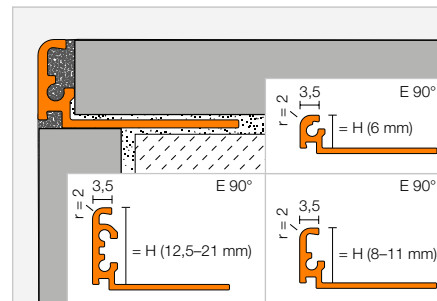
## Afsluitprofiel

### Schlüter®-JOLLY-TS



Schlüter-JOLLY-TS is een decoratief profiel voor uitwendige hoeken in wandbekleding, plinttegels en andere begrenzingen. Het afsluitvlak onder een hoek van 90° beschermt de tegels tegen mechanische beschadigingen. Het is gemaakt van aluminium met een speciale structuurcoating en textuur. Door de voegribjes aan beide zijden ontstaan tussen het profiel en de tegels vaste voegruimtes. Door de geometrische insnijding aan de achterkant van het profiel ontstaat er een extra hechting voor het voegmateriaal. De hoekstukken met een innovatieve steekverbinding zorgen voor een zuivere en decoratieve hoekafwerking.

(Productdatablad 2.3)



### Schlüter®-JOLLY-MBW



Alu. met kleurcoating, zuiver wit mat

H (mm)		L = 2,50 m Art.-No.	€ / m	KV (st.)
6	⊕	J 60 MBW	<b>6,96</b>	120
8	⊕	J 80 MBW	<b>7,38</b>	120
10	⊕	J 100 MBW	<b>7,97</b>	120
11	⊕	J 110 MBW	<b>8,27</b>	120
12,5	⊕	J 125 MBW	<b>8,63</b>	120
14		J 140 MBW	<b>8,87</b>	120
16		J 160 MBW	<b>9,23</b>	120
21		J 210 MBW	<b>9,64</b>	120

### Schlüter®-JOLLY-MGS



Alu. met kleurcoating, grafietzwart mat

H (mm)		L = 2,50 m Art.-No.	€ / m	KV (st.)
6	⊕	J 60 MGS	<b>6,96</b>	120
8	⊕	J 80 MGS	<b>7,38</b>	120
10	⊕	J 100 MGS	<b>7,97</b>	120
11	⊕	J 110 MGS	<b>8,27</b>	120
12,5	⊕	J 125 MGS	<b>8,63</b>	120
14		J 140 MGS	<b>8,87</b>	120
16		J 160 MGS	<b>9,23</b>	120
21		J 210 MGS	<b>9,64</b>	120

### Schlüter®-JOLLY-TSB



Alu. structuur-gecoat beige

H (mm)		L = 2,50 m Art.-No.	€ / m	KV (st.)
6	⊕	J 60 TSB	<b>13,39</b>	120
8	⊕	J 80 TSB	<b>14,28</b>	120
10	⊕	J 100 TSB	<b>14,58</b>	120
11	⊕	J 110 TSB	<b>14,87</b>	120
12,5	⊕	J 125 TSB	<b>15,47</b>	120

### Schlüter®-JOLLY-TSBG



Alu. structuur-gecoat beigegrijs

H (mm)		L = 2,50 m Art.-No.	€ / m	KV (st.)
6	⊕	J 60 TSBG	<b>13,39</b>	120
8	⊕	J 80 TSBG	<b>14,28</b>	120
10	⊕	J 100 TSBG	<b>14,58</b>	120
11	⊕	J 110 TSBG	<b>14,87</b>	120
12,5	⊕	J 125 TSBG	<b>15,47</b>	120

### Schlüter®-JOLLY-TSC



Alu. structuur-gecoat crème

H (mm)		L = 2,50 m Art.-No.	€ / m	KV (st.)
6	⊕	J 60 TSC	<b>13,39</b>	120
8	⊕	J 80 TSC	<b>14,28</b>	120
10	⊕	J 100 TSC	<b>14,58</b>	120
11	⊕	J 110 TSC	<b>14,87</b>	120
12,5	⊕	J 125 TSC	<b>15,47</b>	120

### Schlüter®-JOLLY-TSDA



Alu. structuur-gecoat donker antraciet

H (mm)		L = 2,50 m Art.-No.	€ / m	KV (st.)
6	⊕	J 60 TSDA	<b>13,39</b>	120
8	⊕	J 80 TSDA	<b>14,28</b>	120
10	⊕	J 100 TSDA	<b>14,58</b>	120
11	⊕	J 110 TSDA	<b>14,87</b>	120
12,5	⊕	J 125 TSDA	<b>15,47</b>	120

### Schlüter®-JOLLY-TSG



Alu. structuur-gecoat grijs

H (mm)		L = 2,50 m Art.-No.	€ / m	KV (st.)
6	⊕	J 60 TSG	<b>13,39</b>	120
8	⊕	J 80 TSG	<b>14,28</b>	120
10	⊕	J 100 TSG	<b>14,58</b>	120
11	⊕	J 110 TSG	<b>14,87</b>	120
12,5	⊕	J 125 TSG	<b>15,47</b>	120

### Schlüter®-JOLLY-TSI



Alu. structuur-gecoat ivoor

H (mm)		L = 2,50 m Art.-No.	€ / m	KV (st.)
6	⊕	J 60 TSI	<b>13,39</b>	120
8	⊕	J 80 TSI	<b>14,28</b>	120
10	⊕	J 100 TSI	<b>14,58</b>	120
11	⊕	J 110 TSI	<b>14,87</b>	120
12,5	⊕	J 125 TSI	<b>15,47</b>	120
14		J 140 TSI	<b>16,06</b>	120
16		J 160 TSI	<b>16,66</b>	120
21		J 210 TSI	<b>17,25</b>	120

### Schlüter®-JOLLY-TSLA



Alu. structuur-gecoat licht antraciet

H (mm)		L = 2,50 m Art.-No.	€ / m	KV (st.)
6	⊕	J 60 TSLA	<b>13,39</b>	120
8	⊕	J 80 TSLA	<b>14,28</b>	120
10	⊕	J 100 TSLA	<b>14,58</b>	120
11	⊕	J 110 TSLA	<b>14,87</b>	120
12,5	⊕	J 125 TSLA	<b>15,47</b>	120

Voor 3 m lengte Art.-No. "/300" aanvullen (bijv. J 60 TSI/300).

**Schlüter®-JOLLY-TSOB**

Alu. structuur-gecoat brons

H (mm)	L = 2,50 m Art.-No.	€ / m	KV (st.)
6	J 60 TSOB	13,39	120
8	J 80 TSOB	14,28	120
10	J 100 TSOB	14,58	120
11	J 110 TSOB	14,87	120
12,5	J 125 TSOB	15,47	120
14	J 140 TSOB	16,06	120
16	J 160 TSOB	16,66	120
21	J 210 TSOB	17,25	120

**Schlüter®-JOLLY-TSR**

Alu. structuur-gecoat roestbruin

H (mm)	L = 2,50 m Art.-No.	€ / m	KV (st.)
6	J 60 TSR	13,39	120
8	J 80 TSR	14,28	120
10	J 100 TSR	14,58	120
11	J 110 TSR	14,87	120
12,5	J 125 TSR	15,47	120

Voor 3 m lengte Art.-No. "/300" aanvullen  
(bijv. J 60 TSI/300).

**Schlüter®-JOLLY-TSSG**

Alu. structuur-gecoat steengrijs

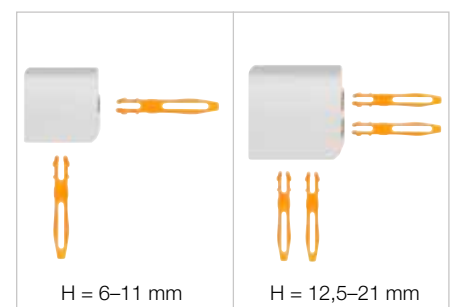
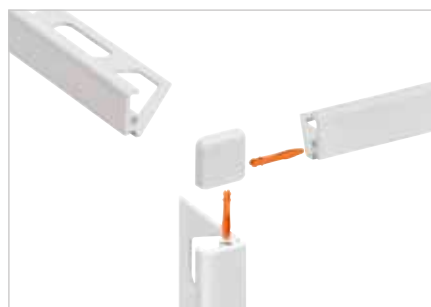
H (mm)	L = 2,50 m Art.-No.	€ / m	KV (st.)
6	J 60 TSSG	13,39	120
8	J 80 TSSG	14,28	120
10	J 100 TSSG	14,58	120
11	J 110 TSSG	14,87	120
12,5	J 125 TSSG	15,47	120
14	J 140 TSSG	16,06	120
16	J 160 TSSG	16,66	120
21	J 210 TSSG	17,25	120

**Hoek | Verbindingsstuk****Schlüter®-JOLLY-AC/EV**Buitenhoek 90°  
voor JOLLY-MBW/-MGS alu. met kleurcoating

H (mm)	Art.-No.	€ / St.	P (st.)
6	EV / J 60 ...***	14,28	50
8	EV / J 80 ...***	14,28	50
10	EV / J 100 ...***	14,28	50
11	EV / J 110 ...***	14,28	50
12,5	EV / J 125 ...***	14,28	50
14	EV / J 140 ...***	17,07	50
16	EV / J 160 ...***	17,07	50
21	EV / J 210 ...***	17,07	50

**Schlüter®-JOLLY-TS/EV**Buitenhoek 90°  
alu. structuur-gecoat

H (mm)	Art.-No.	€ / St.	P (st.)
6	EV / J 60 ...*	14,87	50
8	EV / J 80 ...*	14,87	50
10	EV / J 100 ...*	14,87	50
11	EV / J 110 ...*	14,87	50
12,5	EV / J 125 ...*	14,87	50
14	EV / J 140 ...**	17,25	50
16	EV / J 160 ...**	17,25	50
21	EV / J 210 ...**	17,25	50

**Schlüter®-JOLLY/V**

Verbindingsstuk voor JOLLY-profielen (4 stuks)

Art.-No.	€ / Pakket	P (pakket)
V / JPP 4	3,19	50

**Art.-No. aanvullen met oppervlak/kleur (bijv. EV / J 60 MGS)**

\* Oppervlakken/kleuren: TSB - TSBG - TSC - TSDA - TSG - TSI - TSLA - TSOB - TSR - TSSG

\*\* Oppervlakken/kleuren: TSI - TSOB - TSSG

\*\*\* Oppervlakken/kleuren: MBW - MGS

**Beschikbare oppervlakken | Kleuren**

Een overzicht van de oppervlakken en kleuren vindt u vanaf pagina 340.

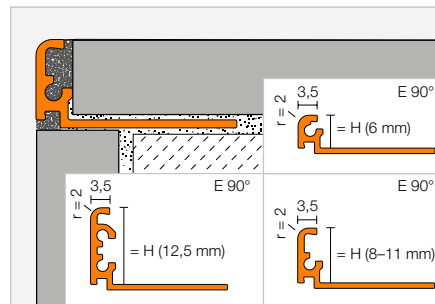


## Afsluitprofiel

### Schlüter®-JOLLY-A



Schlüter-JOLLY-A is een decoratief profiel uit geanodiseerd aluminium voor uitwendige hoeken in wandbekledingen, plinttegels en andere begrenzingen. Het afsluitvlak onder een hoek van 90° beschermt de tegels tegen mechanische beschadigen. Door de voegribjes aan beide zijden ontstaan tussen het profiel en de tegels vaste voegruimtes. Door de geometrische insnijding aan de achterkant van het profiel ontstaat er een extra hechting voor het voegmateriaal. De hoekstukken met een innovatieve steekverbinding zorgen voor een zuivere en decoratieve hoekafwerking. (Productdatablad 2.3)



#### Schlüter®-JOLLY-ACG



Alu. chroom glanzend geanodiseerd

H (mm)	L = 2,50 m Art.-No.	€ / m	KV (st.)
6	J 60 ACG	13,39	120
8	J 80 ACG	14,28	120
10	J 100 ACG	14,58	120
11	J 110 ACG	14,87	120
12,5	J 125 ACG	15,17	120

#### Schlüter®-JOLLY-ACGB



Alu. chroom geborsteld geanodiseerd

H (mm)	L = 2,50 m Art.-No.	€ / m	KV (st.)
6	J 60 ACGB	13,39	120
8	J 80 ACGB	14,28	120
10	J 100 ACGB	14,58	120
11	J 110 ACGB	14,87	120
12,5	J 125 ACGB	15,17	120

Voor 3 m lengte Art.-No. "/300" aanvullen (bijv. J 60 ACG/300).

#### Schlüter®-JOLLY-AM



Alu. messing mat geanodiseerd

H (mm)	L = 2,50 m Art.-No.	€ / m	KV (st.)
6	J 60 AM	11,25	120
8	J 80 AM	11,60	120
10	J 100 AM	11,90	120
11	J 110 AM	12,20	120
12,5	J 125 AM	12,49	120

#### Schlüter®-JOLLY-AMG



Alu. messing glanzend geanodiseerd

H (mm)	L = 2,50 m Art.-No.	€ / m	KV (st.)
6	J 60 AMG	13,39	120
8	J 80 AMG	14,28	120
10	J 100 AMG	14,58	120
11	J 110 AMG	14,87	120
12,5	J 125 AMG	15,17	120

#### Schlüter®-JOLLY-AMGB



Alu. messing geborsteld geanodiseerd

H (mm)	L = 2,50 m Art.-No.	€ / m	KV (st.)
6	J 60 AMGB	13,39	120
8	J 80 AMGB	14,28	120
10	J 100 AMGB	14,58	120
11	J 110 AMGB	14,87	120
12,5	J 125 AMGB	15,17	120

#### Schlüter®-JOLLY-AK



Alu. koper mat geanodiseerd

H (mm)	L = 2,50 m Art.-No.	€ / m	KV (st.)
6	J 60 AK	11,25	120
8	J 80 AK	11,60	120
10	J 100 AK	11,90	120
11	J 110 AK	12,20	120
12,5	J 125 AK	12,49	120

#### Schlüter®-JOLLY-AKG



Alu. koper glanzend geanodiseerd

H (mm)	L = 2,50 m Art.-No.	€ / m	KV (st.)
6	J 60 AKG	13,39	120
8	J 80 AKG	14,28	120
10	J 100 AKG	14,58	120
11	J 110 AKG	14,87	120
12,5	J 125 AKG	15,17	120

#### Schlüter®-JOLLY-AKGB



Alu. koper geborsteld geanodiseerd

H (mm)	L = 2,50 m Art.-No.	€ / m	KV (st.)
6	J 60 AKGB	13,39	120
8	J 80 AKGB	14,28	120
10	J 100 AKGB	14,58	120
11	J 110 AKGB	14,87	120
12,5	J 125 AKGB	15,17	120

#### Schlüter®-JOLLY-AT



Alu. titanium mat geanodiseerd

H (mm)	L = 2,50 m Art.-No.	€ / m	KV (st.)
6	J 60 AT	11,25	120
8	J 80 AT	11,60	120
10	J 100 AT	11,90	120
11	J 110 AT	12,20	120
12,5	J 125 AT	12,49	120

#### Schlüter®-JOLLY-ATG



Alu. titanium glanzend geanodiseerd

H (mm)	L = 2,50 m Art.-No.	€ / m	KV (st.)
6	J 60 ATG	13,39	120
8	J 80 ATG	14,28	120
10	J 100 ATG	14,58	120
11	J 110 ATG	14,87	120
12,5	J 125 ATG	15,17	120

#### Schlüter®-JOLLY-ATGB



Alu. titanium geborsteld geanodiseerd

H (mm)	L = 2,50 m Art.-No.	€ / m	KV (st.)
6	J 60 ATGB	13,39	120
8	J 80 ATGB	14,28	120
10	J 100 ATGB	14,58	120
11	J 110 ATGB	14,87	120
12,5	J 125 ATGB	15,17	120



**Schlüter®-JOLLY-ABGB**

Alu. antiek brons geborsteld geanodiseerd

H (mm)	L = 2,50 m Art.-No.	€ / m	KV (st.)
6	J 60 ABGB	<b>13,39</b>	120
8	J 80 ABGB	<b>14,28</b>	120
10	J 100 ABGB	<b>14,58</b>	120
11	J 110 ABGB	<b>14,87</b>	120
12,5	J 125 ABGB	<b>15,17</b>	120

**Schlüter®-JOLLY-AGRB**

Alu. grafiet geborsteld geanodiseerd

H (mm)	L = 2,50 m Art.-No.	€ / m	KV (st.)
6	J 60 AGRB	<b>13,39</b>	120
8	J 80 AGRB	<b>14,28</b>	120
10	J 100 AGRB	<b>14,58</b>	120
11	J 110 AGRB	<b>14,87</b>	120
12,5	J 125 AGRB	<b>15,17</b>	120

**Schlüter®-JOLLY-AGSG**

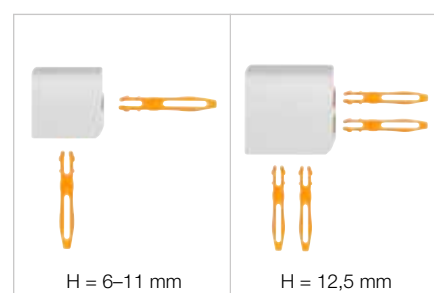
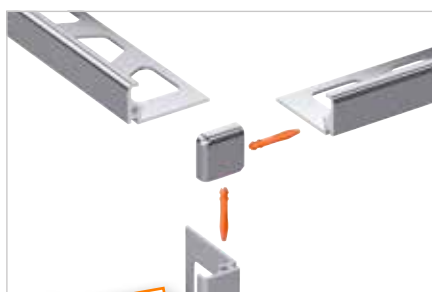
Alu. zwart glanzend geanodiseerd

H (mm)	L = 2,50 m Art.-No.	€ / m	KV (st.)
6	J 60 AGSG	<b>13,39</b>	120
8	J 80 AGSG	<b>14,28</b>	120
10	J 100 AGSG	<b>14,58</b>	120
11	J 110 AGSG	<b>14,87</b>	120
12,5	J 125 AGSG	<b>15,17</b>	120

**Hoek | Verbindingsstuk****Schlüter®-JOLLY-A/EV**

Buitenhoek 90° massief alu.

H (mm)	Art.-No.	€ / St.	P (st.)
6	EV / J 60 ...*	<b>16,06</b>	50
8	EV / J 80 ...*	<b>16,06</b>	50
10	EV / J 100 ...*	<b>16,06</b>	50
11	EV / J 110 ...*	<b>16,06</b>	50
12,5	EV / J 125 ...*	<b>16,06</b>	50



H = 6-11 mm

H = 12,5 mm

**i**

Verbindingspinnetjes zijn bij de levering van hoekstukken inbegrepen!

**Schlüter®-JOLLY/V**

Verbindingsstuk voor JOLLY-profielen (4 stuks)

Art.-No.	€ / Pakket	P (pakket)
V / JPP 4	<b>3,19</b>	50

**Art.-No. aanvullen met oppervlak (bijv. EV / J 60 ACG)**\* Oppervlakken: ABGB - ACG - ACGB - AGRB - AGSG - AK - AKG - AKGB - AM - AMG - AMGB - AT - ATG - ATGB  
Een overzicht van de oppervlakken en kleuren vindt u vanaf pagina 340.

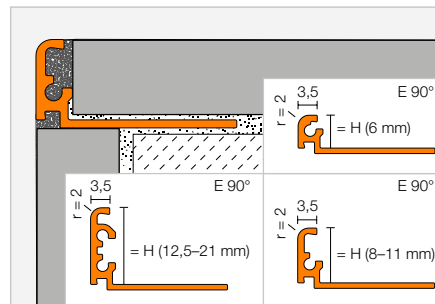


## Afsluitprofiel

### Schlüter®-JOLLY-AC



Schlüter-JOLLY-AC is een decoratief profiel uit kleurgecoat aluminium voor uitwendige hoeken in wandbekledingen, plinttegels en andere begrenzingen. Het afsluitvlak onder een hoek van 90° beschermt de tegels tegen mechanische beschadigingen. Door de voegribjes aan beide zijden ontstaan tussen het profiel en de tegels vaste voegruimtes. Door de geometrische insnijding aan de achterkant van het profiel ontstaat er een extra hechting voor het voegmateriaal. De hoekstukken met een innovatieve steekverbinding zorgen voor een zuivere en decoratieve hoekafwerking. (Productdatablad 2.3)



#### Schlüter®-JOLLY-AC



Alu. met kleurcoating

H (mm)	L = 2,50 m Art.-No.	€ / m	KV (st.)
6	J 60 ...*	6,96	120
8	J 80 ...*	7,38	120
10	J 100 ...*	7,97	120
11	J 110 ...*	8,27	120
12,5	J 125 ...*	8,63	120
14	J 140 ...**	8,87	120
16	J 160 ...**	9,23	120
21	J 210 ...**	9,64	120

**MyDesign by Schlüter-Systems**  
Individuele print of coating in 190 RAL-Classic kleuren mogelijk.  
Meer info vanaf pagina 16.

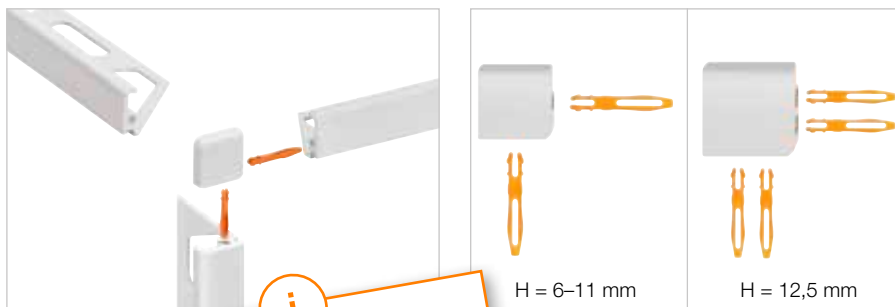
Voor 3 m lengte Art.-No. "/300" aanvullen (bijv. J 60 BW/300).

## Hoek | Verbindingsstuk

### Schlüter®-JOLLY-AC/EV

Buitenhoek 90°  
alu. met kleurcoating

H (mm)	Art.-No.	€ / St.	P (st.)
6	EV / J 60 ...*	14,28	50
8	EV / J 80 ...*	14,28	50
10	EV / J 100 ...*	14,28	50
11	EV / J 110 ...*	14,28	50
12,5	EV / J 125 ...*	14,28	50
14	EV / J 140 ...**	17,07	50
16	EV / J 160 ...**	17,07	50
21	EV / J 210 ...**	17,07	50



**i**  
Verbindingspinnetjes zijn bij de levering van hoekstukken inbegrepen!



Art.-No. kleur toevoegen (bijv. EV / J 60 MBW)



\* Kleuren L = 2,50 m: BW - G - GM - GS - MBW - MGS - PG - SB - W

\*\* Kleuren L = 2,50 m: BW - MBW - MGS

Kleuren L = 3,00 m: BW - GS - MBW - MGS - PG - W

Een overzicht van de oppervlakken en kleuren vindt u vanaf pagina 340.

### Schlüter®-JOLLY/V

Verbindingsstuk voor JOLLY-profielen (4 stuks)

Art.-No.	€ / Pakket	P (pakket)
V / JPP 4	3,19	50

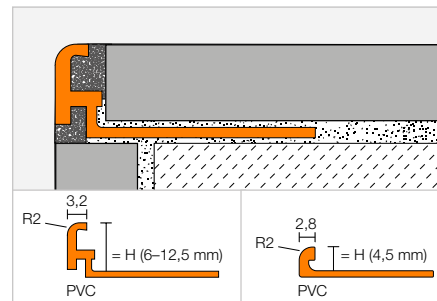


## Afsluitprofiel

## Schlüter®-JOLLY-P




Schlüter-JOLLY-P uit gekleurd PVC is een decoratief profiel voor uitwendige hoeken in wandbekledingen, plinttegels en andere begrenzingen. De tegelkanten worden beschermd tegen mechanische beschadiging. Dankzij het voegribje wordt een vaste voegafstand tot de tegel bepaald. (Productdatablad 2.3)



## Schlüter®-JOLLY-P

PVC gekleurd

H (mm)	L = 2,50 m Art.-No.	€ / m	KV (st.)
4,5	...* 45	<b>2,91</b>	240
6 	...** 60	<b>2,91</b>	240
8 	...** 80	<b>3,13</b>	240
10 	...** 100	<b>3,28</b>	240
11 	...** 110	<b>3,60</b>	240
12,5 	...*** 125	<b>4,07</b>	240

Voor 3 m lengte Art.-No. "/300" aanvullen (bijv. BW 60/300).

## Art.-No. kleur toevoegen (bijv. W 45)



\* Kleuren L = 2,50 m: BW - HG - W

\*\* Kleuren L = 2,50 m: BH - BW - GS - HG - PG - SP - W

\*\*\* Kleuren L = 2,50 m: BW - HG - PG - W

Kleuren L = 3,00 m: BW - PG - W

Een overzicht van de oppervlakken en kleuren vindt u vanaf pagina 340.



# Schlüter®-FINEC

De kunst van fijne afsluitingen

Minder is meer. Onder dit motto biedt Schlüter-FINEC een elegant, smal hoekprofiel voor mooi gevormde wanden. Schlüter-FINEC combineert een hoge materiaalkwaliteit met een minimalistisch design. Verkrijgbaar in:

- ✓ Roestvast staal
- ✓ Aluminium geanodiseerd
- ✓ Aluminium met structuur
- ✓ Aluminium met kleurcoating
- ✓ Schlüter-FINEC-E, -TS en -A ook als hoekset verkrijgbaar





## Afsluitprofiel

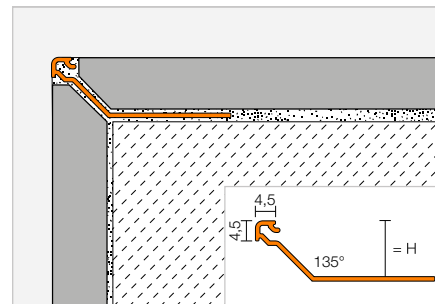


## Schlüter®-FINEC-SQ



Schlüter-FINEC-SQ is een hoogwaardig afsluitprofiel uit geanodiseerd, gekleurd of structuur-gecoat aluminium voor uitwendige hoeken in wandbekledingen uit tegels. Het profiel beschermt de rand van de bekleding tegen mechanische schade en vormt een elegante, smalle, vierkante hoek.

(Productdatablad 2.17)



## Schlüter®-FINEC-SQ-AE

Alu. bruut mat geanodiseerd

H (mm)	L = 2,50 m Art.-No.	€ / m	KV (st.)
11	F SQ 110 AE	<b>7,53</b>	120
12,5	F SQ 125 AE	<b>8,12</b>	120
15	F SQ 150 AE	<b>8,69</b>	120

## Schlüter®-FINEC-SQ-MBW

Alu. met kleurcoating, zuiver wit mat

H (mm)	L = 2,50 m Art.-No.	€ / m	KV (st.)
11	F SQ 110 MBW	<b>9,86</b>	120
12,5	F SQ 125 MBW	<b>10,43</b>	120
15	F SQ 150 MBW	<b>11,01</b>	120

## Schlüter®-FINEC-SQ-MGS

Alu. met kleurcoating, grafietzwart mat

H (mm)	L = 2,50 m Art.-No.	€ / m	KV (st.)
11	F SQ 110 MGS	<b>9,86</b>	120
12,5	F SQ 125 MGS	<b>10,43</b>	120
15	F SQ 150 MGS	<b>11,01</b>	120

## Schlüter®-FINEC-SQ-TSB

Alu. structuur-gecoat beige

H (mm)	L = 2,50 m Art.-No.	€ / m	KV (st.)
11	F SQ 110 TSB	<b>16,81</b>	120
12,5	F SQ 125 TSB	<b>17,21</b>	120
15	F SQ 150 TSB	<b>17,57</b>	120

## Schlüter®-FINEC-SQ-TSBG

Alu. structuur-gecoat beigegrijs

H (mm)	L = 2,50 m Art.-No.	€ / m	KV (st.)
11	F SQ 110 TSBG	<b>16,81</b>	120
12,5	F SQ 125 TSBG	<b>17,21</b>	120
15	F SQ 150 TSBG	<b>17,57</b>	120

## Schlüter®-FINEC-SQ-TSC

Alu. structuur-gecoat crème

H (mm)	L = 2,50 m Art.-No.	€ / m	KV (st.)
11	F SQ 110 TSC	<b>16,81</b>	120
12,5	F SQ 125 TSC	<b>17,21</b>	120
15	F SQ 150 TSC	<b>17,57</b>	120

## Schlüter®-FINEC-SQ-TSDA

Alu. structuur-gecoat donker antraciet

H (mm)	L = 2,50 m Art.-No.	€ / m	KV (st.)
11	F SQ 110 TSDA	<b>16,81</b>	120
12,5	F SQ 125 TSDA	<b>17,21</b>	120
15	F SQ 150 TSDA	<b>17,57</b>	120

## Schlüter®-FINEC-SQ-TSG

Alu. structuur-gecoat grijs

H (mm)	L = 2,50 m Art.-No.	€ / m	KV (st.)
11	F SQ 110 TSG	<b>16,81</b>	120
12,5	F SQ 125 TSG	<b>17,21</b>	120
15	F SQ 150 TSG	<b>17,57</b>	120

## Schlüter®-FINEC-SQ-TSI

Alu. structuur-gecoat ivoor

H (mm)	L = 2,50 m Art.-No.	€ / m	KV (st.)
11	F SQ 110 TSI	<b>16,81</b>	120
12,5	F SQ 125 TSI	<b>17,21</b>	120
15	F SQ 150 TSI	<b>17,57</b>	120

## Schlüter®-FINEC-SQ-TSLA

Alu. structuur-gecoat licht antraciet

H (mm)	L = 2,50 m Art.-No.	€ / m	KV (st.)
11	F SQ 110 TSLA	<b>16,81</b>	120
12,5	F SQ 125 TSLA	<b>17,21</b>	120
15	F SQ 150 TSLA	<b>17,57</b>	120

## Schlüter®-FINEC-SQ-TSOB

Alu. structuur-gecoat brons

H (mm)	L = 2,50 m Art.-No.	€ / m	KV (st.)
11	F SQ 110 TSOB	<b>16,81</b>	120
12,5	F SQ 125 TSOB	<b>17,21</b>	120
15	F SQ 150 TSOB	<b>17,57</b>	120

## Schlüter®-FINEC-SQ-TSR

Alu. structuur-gecoat roestbruin

H (mm)	L = 2,50 m Art.-No.	€ / m	KV (st.)
11	F SQ 110 TSR	<b>16,81</b>	120
12,5	F SQ 125 TSR	<b>17,21</b>	120
15	F SQ 150 TSR	<b>17,57</b>	120

## Schlüter®-FINEC-SQ-TSSG

Alu. structuur-gecoat steengrijs

H (mm)	L = 2,50 m Art.-No.	€ / m	KV (st.)
11	F SQ 110 TSSG	<b>16,81</b>	120
12,5	F SQ 125 TSSG	<b>17,21</b>	120
15	F SQ 150 TSSG	<b>17,57</b>	120



## Hoek

### Schlüter®-QUADEC-A/EV

Buiten-/binnenhoek 90° massief alu.

H (mm)	Art.-No.	€ / St.	P (st.)
4,5	EV / Q 45 AE	<b>8,51</b>	50

### Schlüter®-QUADEC-A/ED

Buitenhoek 90° imitatie alu.

H (mm)	Art.-No.	€ / St.	P (st.)
4,5	ED / Q 45 AE	<b>4,67</b>	50

### Schlüter®-QUADEC-AC/EV

Buiten-/binnenhoek 90° voor QUADEC-MBW/-MGS massief alu.

H (mm)	Art.-No.	€ / St.	P (st.)
4,5	EV / Q 45 ...**	<b>12,52</b>	50

### Schlüter®-QUADEC-AC/ED

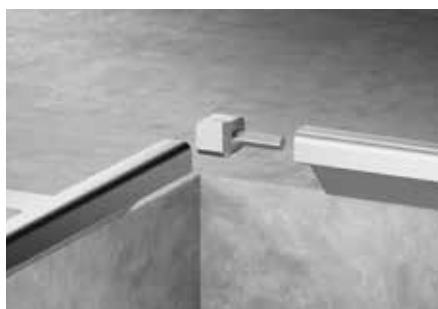
Buitenhoek 90° voor QUADEC-MBW/-MGS imitatie metaal-spuitsgietwerk

H (mm)	Art.-No.	€ / St.	P (st.)
4,5	ED / Q 45 ...**	<b>4,67</b>	50

### Schlüter®-QUADEC-TS/EV

Buiten-/binnenhoek 90° alu. structuur-gecoat

H (mm)	Art.-No.	€ / St.	P (st.)
4,5	EV / Q 45 ...*	<b>12,52</b>	50



#### Art.-No. aanvullen met oppervlak/kleur (bijv. EV / Q 45 TSBG)

\* Oppervlakken/kleuren: TSB - TSBG - TSC - TSDA - TSG - TSI - TSLA - TSOB - TSR - TSSG

\*\* Oppervlakken/kleuren: MBW - MGS

## Beschikbare oppervlakken | Kleuren



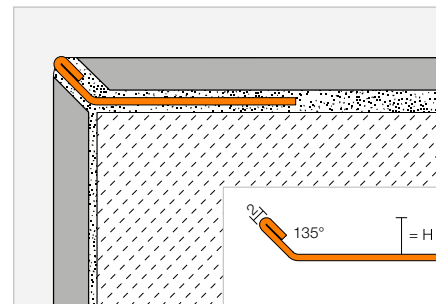
Een overzicht van de oppervlakken en kleuren vindt u vanaf pagina 340.

## Afsluitprofiel

## Schlüter®-FINEC-E



Schlüter-FINEC-E is een hoogwaardig afsluitprofiel uit roestvast staal voor uitwendige hoeken in wandbekledingen uit tegels, glasmozaïek of plamuursel/pleisterlaag. Het profiel beschermt de rand van de bekleding tegen mechanische schade en vormt een elegante, smalle hoek. FINEC-E uit roestvast staal is ook geschikt als smal kantprofiel voor betegelingen en coatingsystemen op trappen. (Productdatablad 2.17)



## Schlüter®-FINEC-E

Roestvast staal V2A

H (mm)	L = 2,50 m Art.-No.	€ / m	KV (st.)
4,5	F 45 E	<b>11,00</b>	120
7	F 70 E	<b>12,99</b>	120
9	F 90 E	<b>13,59</b>	120
11	F 110 E	<b>14,46</b>	120
12,5	F 125 E	<b>14,90</b>	120



## Hoekset

## Schlüter®-FINEC-E/ES

Hoekset, roestvast staal V2A

H (mm)	Art.-No.	€ / Set	P (set)
4,5	ES / F 45 E	<b>38,12</b>	50
7	ES / F 70 E	<b>38,12</b>	50
9	ES / F 90 E	<b>38,12</b>	50
11	ES / F 110 E	<b>38,12</b>	50
12,5	ES / F 125 E	<b>38,12</b>	50

**Opmerking:**

De hoekset bestaat uit drie delen van telkens L = 10 cm.





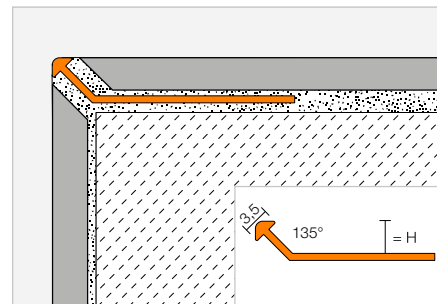
## Afsluitprofiel

### Schlüter®-FINEC-TS



Schlüter-FINEC-TS is een hoogwaardig afsluitprofiel uit structuur-gecoat aluminium voor uitwendige hoeken in wandbekledingen uit tegels, glasmozaïek of plamuursel/pleisterlaag. Het profiel beschermt de rand van de bekleding tegen mechanische schade en vormt een elegante, smalle hoek.

(Productdatablad 2.17)



#### Schlüter®-FINEC-MBW

Alu. met kleurcoating, zuiver wit mat

H (mm)	L = 2,50 m Art.-No.	€ / m	KV (st.)
2,5	F 25 MBW	<b>7,20</b>	120
4,5	F 45 MBW	<b>7,45</b>	120
7	F 70 MBW	<b>7,85</b>	120
9	F 90 MBW	<b>7,97</b>	120
11	F 110 MBW	<b>8,10</b>	120
12,5	F 125 MBW	<b>8,35</b>	120

#### Schlüter®-FINEC-MGS

Alu. met kleurcoating, grafietzwart mat

H (mm)	L = 2,50 m Art.-No.	€ / m	KV (st.)
—	—	—	—
4,5	F 45 MGS	<b>7,45</b>	120
7	F 70 MGS	<b>7,85</b>	120
9	F 90 MGS	<b>7,97</b>	120
11	F 110 MGS	<b>8,10</b>	120
12,5	F 125 MGS	<b>8,35</b>	120

#### Schlüter®-FINEC-TSB

Alu. structuur-gecoat beige

H (mm)	L = 2,50 m Art.-No.	€ / m	KV (st.)
—	—	—	—
4,5	F 45 TSB	<b>15,03</b>	120
7	F 70 TSB	<b>16,13</b>	120
9	F 90 TSB	<b>16,39</b>	120
11	F 110 TSB	<b>17,43</b>	120
12,5	F 125 TSB	<b>18,21</b>	120

#### Schlüter®-FINEC-TSBG

Alu. structuur-gecoat beigegrijs

H (mm)	L = 2,50 m Art.-No.	€ / m	KV (st.)
4,5	F 45 TSBG	<b>15,03</b>	120
7	F 70 TSBG	<b>16,13</b>	120
9	F 90 TSBG	<b>16,39</b>	120
11	F 110 TSBG	<b>17,43</b>	120
12,5	F 125 TSBG	<b>18,21</b>	120

#### Schlüter®-FINEC-TSC

Alu. structuur-gecoat crème

H (mm)	L = 2,50 m Art.-No.	€ / m	KV (st.)
4,5	F 45 TSC	<b>15,03</b>	120
7	F 70 TSC	<b>16,13</b>	120
9	F 90 TSC	<b>16,39</b>	120
11	F 110 TSC	<b>17,43</b>	120
12,5	F 125 TSC	<b>18,21</b>	120

#### Schlüter®-FINEC-TSDA

Alu. structuur-gecoat donker antraciet

H (mm)	L = 2,50 m Art.-No.	€ / m	KV (st.)
4,5	F 45 TSDA	<b>15,03</b>	120
7	F 70 TSDA	<b>16,13</b>	120
9	F 90 TSDA	<b>16,39</b>	120
11	F 110 TSDA	<b>17,43</b>	120
12,5	F 125 TSDA	<b>18,21</b>	120

#### Schlüter®-FINEC-TSG

Alu. structuur-gecoat grijs

H (mm)	L = 2,50 m Art.-No.	€ / m	KV (st.)
4,5	F 45 TSG	<b>15,03</b>	120
7	F 70 TSG	<b>16,13</b>	120
9	F 90 TSG	<b>16,39</b>	120
11	F 110 TSG	<b>17,43</b>	120
12,5	F 125 TSG	<b>18,21</b>	120

#### Schlüter®-FINEC-TSI

Alu. structuur-gecoat ivoor

H (mm)	L = 2,50 m Art.-No.	€ / m	KV (st.)
4,5	F 45 TSI	<b>15,03</b>	120
7	F 70 TSI	<b>16,13</b>	120
9	F 90 TSI	<b>16,39</b>	120
11	F 110 TSI	<b>17,43</b>	120
12,5	F 125 TSI	<b>18,21</b>	120

#### Schlüter®-FINEC-TSLA

Alu. structuur-gecoat licht antraciet

H (mm)	L = 2,50 m Art.-No.	€ / m	KV (st.)
4,5	F 45 TSLA	<b>15,03</b>	120
7	F 70 TSLA	<b>16,13</b>	120
9	F 90 TSLA	<b>16,39</b>	120
11	F 110 TSLA	<b>17,43</b>	120
12,5	F 125 TSLA	<b>18,21</b>	120

#### Schlüter®-FINEC-TSOB

Alu. structuur-gecoat brons

H (mm)	L = 2,50 m Art.-No.	€ / m	KV (st.)
4,5	F 45 TSOB	<b>15,03</b>	120
7	F 70 TSOB	<b>16,13</b>	120
9	F 90 TSOB	<b>16,39</b>	120
11	F 110 TSOB	<b>17,43</b>	120
12,5	F 125 TSOB	<b>18,21</b>	120

#### Schlüter®-FINEC-TSR

Alu. structuur-gecoat roestbruin

H (mm)	L = 2,50 m Art.-No.	€ / m	KV (st.)
4,5	F 45 TSR	<b>15,03</b>	120
7	F 70 TSR	<b>16,13</b>	120
9	F 90 TSR	<b>16,39</b>	120
11	F 110 TSR	<b>17,43</b>	120
12,5	F 125 TSR	<b>18,21</b>	120

#### Schlüter®-FINEC-TSSG

Alu. structuur-gecoat steengrijs

H (mm)	L = 2,50 m Art.-No.	€ / m	KV (st.)
4,5	F 45 TSSG	<b>15,03</b>	120
7	F 70 TSSG	<b>16,13</b>	120
9	F 90 TSSG	<b>16,39</b>	120
11	F 110 TSSG	<b>17,43</b>	120
12,5	F 125 TSSG	<b>18,21</b>	120



## Hoekset



## Schlüter®-FINEC-TS/ES

Hoekset,  
alu. met kleurcoating

H (mm)	Art.-No.	€ / Set	P (set)
2,5	ES / F 25 ...**	<b>20,59</b>	50
4,5	ES / F 45 ...***	<b>20,59</b>	50
7	ES / F 70 ...***	<b>20,59</b>	50
9	ES / F 90 ...***	<b>20,59</b>	50
11	ES / F 110 ...***	<b>20,59</b>	50
12,5	ES / F 125 ...***	<b>20,59</b>	50



## Schlüter®-FINEC-TS/ES

Hoekset,  
alu. structuur-gecoat

H (mm)	Art.-No.	€ / Set	P (set)
4,5	ES / F 45 ...*	<b>25,16</b>	50
7	ES / F 70 ...*	<b>25,16</b>	50
9	ES / F 90 ...*	<b>25,16</b>	50
11	ES / F 110 ...*	<b>25,16</b>	50
12,5	ES / F 125 ...*	<b>25,16</b>	50

**Opmerking:**

De hoekset bestaat uit drie delen van telkens L = 10 cm.

**Art.-No. aanvullen met oppervlak/kleur (bijv. ES / F 25 MBW)**

\* Oppervlakken/kleuren: TSB - TSBG - TSC - TSDA - TSG - TSI - TSLA - TSOB - TSR - TSSG

\*\* Oppervlakken/kleuren: MBW

\*\*\* Oppervlakken/kleuren: MBW - MGS

## Beschikbare oppervlakken | Kleuren



Een overzicht van de oppervlakken en kleuren vindt u vanaf pagina 340.

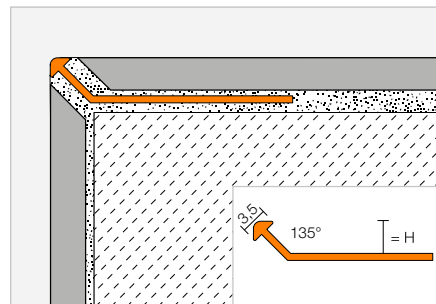


## Afsluitprofiel

### Schlüter®-FINEC-A



Schlüter-FINEC-A is een hoogwaardig afsluitprofiel uit geanodiseerd of kleurgecoat aluminium voor uitwendige hoeken in wandbekledingen uit tegels, glasmozaïek of plamuursel/pleisterlaag. Het profiel beschermt de rand van de bekleding tegen mechanische schade en vormt een elegante, smalle hoek. (Productdatablad 2.17)



### Schlüter®-FINEC-AE

Alu. bruut mat geanodiseerd

H (mm)	L = 2,50 m Art.-No.	€ / m	KV (st.)
2,5	F 25 AE	<b>6,68</b>	120
4,5	F 45 AE	<b>6,75</b>	120
7	F 70 AE	<b>7,06</b>	120
9	F 90 AE	<b>7,45</b>	120
11	F 110 AE	<b>8,04</b>	120
12,5	F 125 AE	<b>8,29</b>	120



### Schlüter®-FINEC-AC

Alu. met kleurcoating

H (mm)	L = 2,50 m Art.-No.	€ / m	KV (st.)
2,5	F 25 ...*	<b>7,20</b>	120
4,5	F 45 ...**	<b>7,45</b>	120
7	F 70 ...**	<b>7,85</b>	120
9	F 90 ...**	<b>7,97</b>	120
11	F 110 ...**	<b>8,10</b>	120
12,5	F 125 ...**	<b>8,35</b>	120

## Hoekset

### Schlüter®-FINEC-AE/ES

Hoekset, alu. bruut mat geanodiseerd

H (mm)	Art.-No.	€ / Set	P (set)
2,5	ES / F 25 AE	<b>20,59</b>	50
4,5	ES / F 45 AE	<b>20,59</b>	50
7	ES / F 70 AE	<b>20,59</b>	50
9	ES / F 90 AE	<b>20,59</b>	50
11	ES / F 110 AE	<b>20,59</b>	50
12,5	ES / F 125 AE	<b>20,59</b>	50



### Schlüter®-FINEC-AC/ES

Hoekset, alu. met kleurcoating

H (mm)	Art.-No.	€ / Set	P (set)
2,5	ES / F 25 ...*	<b>20,59</b>	50
4,5	ES / F 45 ...**	<b>20,59</b>	50
7	ES / F 70 ...**	<b>20,59</b>	50
9	ES / F 90 ...**	<b>20,59</b>	50
11	ES / F 110 ...**	<b>20,59</b>	50
12,5	ES / F 125 ...**	<b>20,59</b>	50

### Opmerking:

De hoekset bestaat uit drie delen van telkens L = 10 cm.

### Art.-No. kleur toevoegen (bijv. ES / F 25 MBW)



\* Kleuren: MBW

\*\* Kleuren: MBW - MGS

Een overzicht van de oppervlakken en kleuren vindt u vanaf pagina 340.



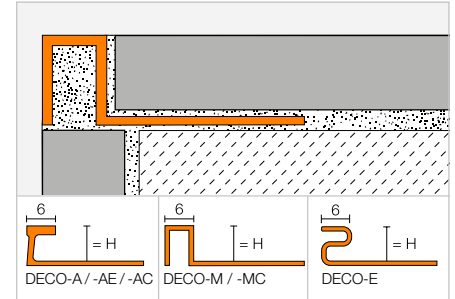
## Afsluitprofiel



## Schlüter®-DECO



Schlüter-DECO is een profiel met een 6 mm breed zichtbaar oppervlak voor het maken van decoratieve voegen in tegelbekledingen. Schlüter-DECO-M en -MC kunnen ook als afsluitprofielen voor uitwendige hoeken in wandbekleding worden gebruikt. Schlüter-DECO uit aluminium, messing en roestvast staal zijn ook geschikt voor vloerbekledingen. (Productdatablad 1.6)



## Schlüter®-DECO-E

Roestvast staal V2A

H (mm)	L = 2,50 m Art.-No.	€ / m	KV (st.)
8	E 80 D	16,52	120
9	E 90 D	16,75	120
10	E 100 D	16,99	120
11	E 110 D	17,24	120
12,5	E 125 D	17,62	120
14	E 140 D	17,91	120
16	E 160 D	18,49	120
18,5	E 185 D	19,07	120
21	E 210 D	19,66	120
25	E 250 D	20,73	120
30	E 300 D	21,95	120

## Schlüter®-DECO-MC

Messing verchromd

H (mm)	L = 2,50 m Art.-No.	€ / m	KV (st.)
9	MC 90 D	38,75	120
11	MC 110 D	39,90	120
12,5	MC 125 D	40,65	120

## Schlüter®-DECO-M

Messing

H (mm)	L = 2,50 m Art.-No.	€ / m	KV (st.)
9	M 90 D	17,67	120
11	M 110 D	18,44	120
12,5	M 125 D	19,48	120



## Schlüter®-DECO-A

Aluminium

H (mm)	L = 2,50 m Art.-No.	€ / m	KV (st.)
8	A 80 D	6,80	120
10	A 100 D	7,25	120
12,5	A 125 D	7,80	120

## Schlüter®-DECO-AE

Alu. bruut mat geanodiseerd

H (mm)	L = 2,50 m Art.-No.	€ / m	KV (st.)
8	AE 80 D	8,95	120
10	AE 100 D	9,66	120
12,5	AE 125 D	10,34	120

## Schlüter®-DECO-AC

Alu. met kleurcoating

H (mm)	L = 2,50 m Art.-No.	€ / m	KV (st.)
8	...* 80 D	10,66	120
10	...* 100 D	11,53	120
12,5	...* 125 D	12,40	120

## Hoek

## Schlüter®-DECO-MC/EV

Buitenhoek 90° massief messing verchromd

H (mm)	Art.-No.	€ / St.	P (st.)
9	EV / MC 90 D	21,45	50
11	EV / MC 110 D	21,45	50
12,5	EV / MC 125 D	21,45	50



Schlüter-DECO-MC/EV



Art.-No. kleur toevoegen (bijv. MGS 80 D)



\* Kleuren: BW - MBW - MGS

Een overzicht van de oppervlakken en kleuren vindt u vanaf pagina 340.

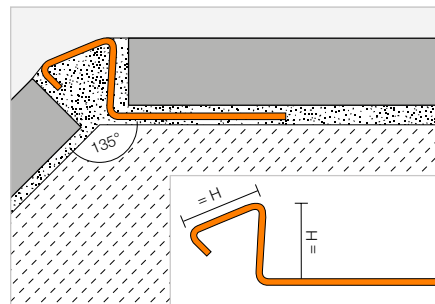


## Afsluitprofiel

### Schlüter®-DECO-DE



Schlüter-DECO-DE is een hoogwaardig afsluitprofiel uit roestvast staal voor uitwendige hoeken van 135° in wandbetegeling en biedt een goede randbescherming. (Productdatablad 2.14)



#### Schlüter®-DECO-DE-E-S

Roestvast staal V2A

H (mm)	L = 2,50 m Art.-No.	€ / m	KV (st.)
8	DE 80 ES	<b>17,57</b>	120
10	DE 100 ES	<b>18,13</b>	120
11	DE 110 ES	<b>18,59</b>	120
12,5	DE 125 ES	<b>19,19</b>	120

#### Schlüter®-DECO-DE-EB-S

Roestvast staal V2A geborsteld

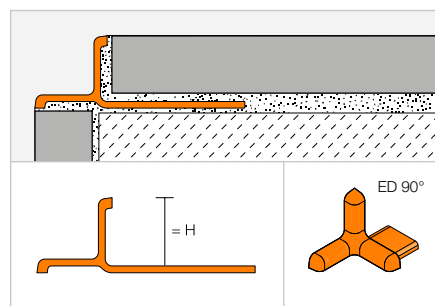
H (mm)	L = 2,50 m Art.-No.	€ / m	KV (st.)
8	DE 80 EBS	<b>22,46</b>	120
10	DE 100 EBS	<b>23,18</b>	120
11	DE 110 EBS	<b>23,71</b>	120
12,5	DE 125 EBS	<b>24,52</b>	120

## Afsluitprofiel

### Schlüter®-INDEC



Schlüter-INDEC is een hoogwaardig afsluitprofiel uit geanodiseerd aluminium voor uitwendige hoeken en afsluitingen van wandbetegeling. Het zichtbare oppervlak van het profiel vormt een terugspringende sierrand. (Productdatablad 2.12)



#### Schlüter®-INDEC-AE

Alu. bruut mat geanodiseerd

H (mm)	L = 2,50 m Art.-No.	€ / m	KV (st.)
8	IN 80 AE	<b>10,81</b>	120
10	IN 100 AE	<b>11,32</b>	120
11	IN 110 AE	<b>13,05</b>	120
12,5	IN 125 AE	<b>13,47</b>	120

#### Schlüter®-INDEC-ACG

Alu. chroom glanzend geanodiseerd

H (mm)	L = 2,50 m Art.-No.	€ / m	KV (st.)
8	IN 80 ACG	<b>19,11</b>	120
10	IN 100 ACG	<b>19,67</b>	120
11	IN 110 ACG	<b>20,64</b>	120
12,5	IN 125 ACG	<b>21,54</b>	120



## Hoek

### Schlüter®-INDEC/EV

Buitenhoek 90°

H (mm)	Art.-No.	€ / St.	P (st.)
8	ED / IN 80 ...*	<b>4,89</b>	50
10	ED / IN 100 ...*	<b>4,89</b>	50
11	ED / IN 110 ...*	<b>4,89</b>	50
12,5	ED / IN 125 ...*	<b>4,89</b>	50

Art.-No. aanvullen met oppervlak (bijv. ED / IN 80 AE)

\* Oppervlakken: ACG - AE

Een overzicht van de oppervlakken en kleuren vindt u vanaf pagina 340.



# Schlüter-hoekprofielen

## De juiste oplossing voor hoeken en randen

Op de volgende pagina's vindt u speciale profielvormen voor wandbekledingen:

- ✓ Randbescherming voor privé en commerciële ruimten
- ✓ Randbescherming voor uitwendige en inwendige hoeken
- ✓ Randbescherming en decoratie voor werkbladen en wastafels
- ✓ Decoratieve sierstrips voor bekledingen

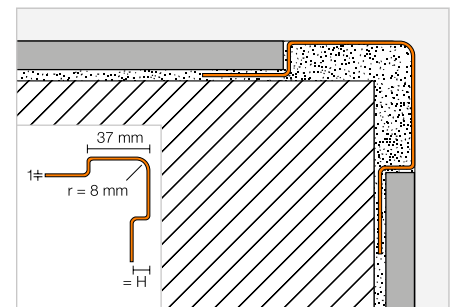


### Hoekprofiel

#### Schlüter®-ECK-E



Schlüter-ECK-E is een roestvaststalen hoekprofiel voor uitwendige hoeken in wandtegelingen en biedt een goede bescherming voor zwaar belastbare kanten. De geperforeerde bevestigingsvlakken worden bij het plaatsen van de tegels in de lijmlaag ingebed. (Productdatablad 2.6)



#### Schlüter®-ECK-E

Roestvast staal V2A

H (mm)	L = 3,00 m Art.-No.	€ / m	KV (st.)
6	E37 V2A 60/300	<b>36,56</b>	60
8	E37 V2A 80/300	<b>37,97</b>	60
11	E37 V2A 110/300	<b>39,55</b>	60
L = 2,50 m			
6	E37 V2A 60/250	<b>36,56</b>	60
8	E37 V2A 80/250	<b>37,97</b>	60
11	E37 V2A 110/250	<b>39,55</b>	60
L = 2,00 m			
6	E37 V2A 60/200	<b>36,56</b>	60
8	E37 V2A 80/200	<b>37,97</b>	60
11	E37 V2A 110/200	<b>39,55</b>	60
L = 1,50 m			
6	E37 V2A 60/150	<b>36,56</b>	60
8	E37 V2A 80/150	<b>37,97</b>	60
11	E37 V2A 110/150	<b>39,55</b>	60

#### Schlüter®-ECK-EB

Roestvast staal V2A geborsteld

H (mm)	L = 3,00 m Art.-No.	€ / m	KV (st.)
6	E37 V2A EB 60/300	<b>47,53</b>	60
8	E37 V2A EB 80/300	<b>49,36</b>	60
11	E37 V2A EB 110/300	<b>51,44</b>	60
L = 2,50 m			
6	E37 V2A EB 60/250	<b>47,53</b>	60
8	E37 V2A EB 80/250	<b>49,36</b>	60
11	E37 V2A EB 110/250	<b>51,44</b>	60
L = 2,00 m			
6	E37 V2A EB 60/200	<b>47,53</b>	60
8	E37 V2A EB 80/200	<b>49,36</b>	60
11	E37 V2A EB 110/200	<b>51,44</b>	60
L = 1,50 m			
6	E37 V2A EB 60/150	<b>47,53</b>	60
8	E37 V2A EB 80/150	<b>49,36</b>	60
11	E37 V2A EB 110/150	<b>51,44</b>	60

#### Schlüter®-ECK-E V4A

Roestvast staal V4A

H (mm)	L = 3,00 m Art.-No.	€ / m	KV (st.)
8	E37 V4A 80/300	<b>41,77</b>	60
11	E37 V4A 110/300	<b>43,53</b>	60
L = 2,50 m			
8	E37 V4A 80/250	<b>41,77</b>	60
11	E37 V4A 110/250	<b>43,53</b>	60
L = 2,00 m			
8	E37 V4A 80/200	<b>41,77</b>	60
11	E37 V4A 110/200	<b>43,53</b>	60
L = 1,50 m			
8	E37 V4A 80/150	<b>41,77</b>	60
11	E37 V4A 110/150	<b>43,53</b>	60



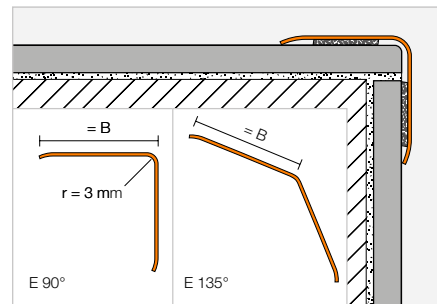
## Hoekprofiel

### Schlüter®-ECK-K



Schlüter-ECK-K is een roestvaststalen hoekprofiel dat achteraf op uitwendige hoeken van tegels of andere wandbekledingen wordt gekleefd.

(Productdatablad 2.7)



#### Schlüter®-ECK-K-E

Roestvast staal V2A

B (mm)	L = 3,00 m Art.-No.	€ / m	KV (st.)
15	K15 V2A/300	<b>25,26</b>	60
32	K32 V2A/300	<b>36,85</b>	60
50	K50 V2A/300	<b>47,45</b>	60
	L = 2,50 m		
15	K15 V2A/250	<b>25,26</b>	60
32	K32 V2A/250	<b>36,85</b>	60
50	K50 V2A/250	<b>47,45</b>	60
	L = 2,00 m		
15	K15 V2A/200	<b>25,26</b>	60
32	K32 V2A/200	<b>36,85</b>	60
50	K50 V2A/200	<b>47,45</b>	60
	L = 1,50 m		
15	K15 V2A/150	<b>25,26</b>	60
32	K32 V2A/150	<b>36,85</b>	60
50	K50 V2A/150	<b>47,45</b>	60

#### Schlüter®-ECK-K-EB

Roestvast staal V2A geborsteld

B (mm)	L = 3,00 m Art.-No.	€ / m	KV (st.)
15	K15 V2A EB/300	<b>32,83</b>	60
32	K32 V2A EB/300	<b>47,93</b>	60
50	K50 V2A EB/300	<b>61,63</b>	60
	L = 2,50 m		
15	K15 V2A EB/250	<b>32,83</b>	60
32	K32 V2A EB/250	<b>47,93</b>	60
50	K50 V2A EB/250	<b>61,63</b>	60
	L = 2,00 m		
15	K15 V2A EB/200	<b>32,83</b>	60
32	K32 V2A EB/200	<b>47,93</b>	60
50	K50 V2A EB/200	<b>61,63</b>	60
	L = 1,50 m		
15	K15 V2A EB/150	<b>32,83</b>	60
32	K32 V2A EB/150	<b>47,93</b>	60
50	K50 V2A EB/150	<b>61,63</b>	60

#### Schlüter®-ECK-K-E V4A

Roestvast staal V4A

B (mm)	L = 2,50 m Art.-No.	€ / m	KV (st.)
32	K32 V4A/250	<b>40,55</b>	60
	L = 2,00 m		
32	K32 V4A/200	<b>40,55</b>	60
	L = 1,50 m		
32	K32 V4A/150	<b>40,55</b>	60

#### Schlüter®-ECK-K-E-S

Roestvast staal V2A, hoek van 135°

B (mm)	L = 3,00 m Art.-No.	€ / m	KV (st.)
32	K32 ES/300	<b>36,04</b>	60
	L = 2,50 m		
32	K32 ES	<b>36,04</b>	60
	L = 2,00 m		
32	K32 ES/200	<b>36,04</b>	60
	L = 1,50 m		
32	K32 ES/150	<b>36,04</b>	60

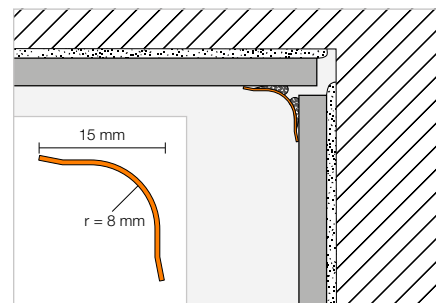
## Holplintprofiel

## Schlüter®-ECK-KHK



Schlüter-ECK-KHK is een als holle plint uitgevoerd hoekprofiel uit roestvast staal om achteraf op inwendige hoeken van tegels of andere wandbekledingen te kleven.

(Productdatablad 2.7)



## Schlüter®-ECK-KHK-E

Roestvast staal V2A

B (mm)	L = 3,00 m Art.-No.	€ / m	KV (st.)
15	KHK15 E/300	25,26	60
	L = 2,50 m		
15	KHK15 E	25,26	60
	L = 2,00 m		
15	KHK15 E/200	25,26	60
	L = 1,50 m		
15	KHK15 E/150	25,26	60

## Schlüter®-ECK-KHK-EB

Roestvast staal V2A geborsteld

B (mm)	L = 3,00 m Art.-No.	€ / m	KV (st.)
15	KHK15 EB/300	32,83	60
	L = 2,50 m		
15	KHK15 EB	32,83	60
	L = 2,00 m		
15	KHK15 EB/200	32,83	60
	L = 1,50 m		
15	KHK15 EB/150	32,83	60

## Hoek | Verbindingsstuk

## Schlüter®-ECK-KHK-E/E

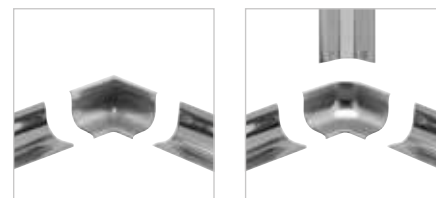
Buitenhoek 90°  
roestvast staal V2A

Art.-No.	€ / St.	P (st.)
E / KHK15 E	8,37	50

## Schlüter®-ECK-KHK-EB/E

Buitenhoek 90°  
roestvast staal V2A geborsteld

Art.-No.	€ / St.	P (st.)
E / KHK15 EB	9,21	50



I2 = 2 overgangen

I3 = 3 overgangen

## Schlüter®-ECK-KHK-E/I

Binnenhoek 90°  
roestvast staal V2A

Art.-No.	€ / St.	P (st.)
I/2 KHK15 E	8,37	50
I/3 KHK15 E	8,37	50

## Schlüter®-ECK-KHK-EB/I

Binnenhoek 90°  
roestvast staal V2A geborsteld

Art.-No.	€ / St.	P (st.)
I/2 KHK15 EB	9,21	50
I/3 KHK15 EB	9,21	50

## Schlüter®-ECK-KHK-E/V

Verbindingsstuk  
roestvast staal V2A

Art.-No.	€ / St.	P (st.)
V / KHK15 E	8,37	50

## Schlüter®-ECK-KHK-EB/V

Verbindingsstuk  
roestvast staal V2A geborsteld

Art.-No.	€ / St.	P (st.)
V / KHK15 EB	9,21	50



E / KHK I/2 KHK I/3 KHK V / KHK



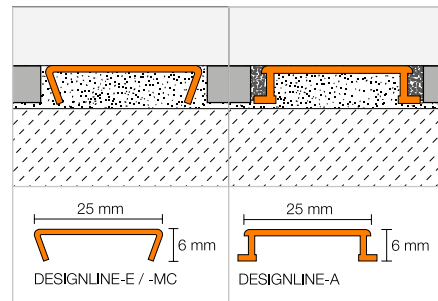
## Sierstrip

### Schlüter®-DESIGNLINE



Schlüter-DESIGNLINE is een sierstrip waarmee u optisch aantrekkelijke wandbekledingen kunt vervaardigen. De profielserie kan worden gecombineerd met de overeenkomstige Schlüter-RONDEC, -QUADEC of -JOLLY profielen voor uitwendige hoeken in wandbekledingen.

(Productdatablad 2.2)



#### Schlüter®-DESIGNLINE-MC

Messing verchromd

L = 2,50 m Art.-No.	€ / m	KV (st.)
DL 625 MC	36,67	120

#### Schlüter®-DESIGNLINE-E

Roestvast staal V2A glanzend

L = 2,50 m Art.-No.	€ / m	KV (st.)
DL 625 E	26,07	120

#### Schlüter®-DESIGNLINE-EB

Roestvast staal V2A geborsteld

L = 2,50 m Art.-No.	€ / m	KV (st.)
DL 625 EB	30,02	120

#### Schlüter®-DESIGNLINE-AME

Aluminium mat geanodiseerd

L = 2,50 m Art.-No.	€ / m	KV (st.)
DL 625 ...*	12,83	120

#### Schlüter®-DESIGNLINE-AGE

Aluminium glanzend geanodiseerd

L = 2,50 m Art.-No.	€ / m	KV (st.)
DL 625 ...**	23,68	120

#### Schlüter®-DESIGNLINE-AGBE

Aluminium geborsteld geanodiseerd

L = 2,50 m Art.-No.	€ / m	KV (st.)
DL 625 ...***	24,91	120

#### Schlüter®-DESIGNLINE-AC

Alu. met kleurcoating

L = 2,50 m Art.-No.	€ / m	KV (st.)
DL 625 ...****	14,86	120



#### Art.-No. aanvullen met oppervlak/kleur (bijv. DL 625 MBW)

\* Oppervlakken/kleuren: AE - AK - AM - AT

\*\* Oppervlakken/kleuren: ACG - AKG - AMG - ATG

\*\*\* Oppervlakken/kleuren: ACGB - AKGB - AMGB - ATGB

\*\*\*\* Oppervlakken/kleuren: BW - MBW - MGS

Een overzicht van de oppervlakken en kleuren vindt u vanaf pagina 340.

#### Opmerking:

Voor Schlüter-DESIGNLINE passen alle -RONDEC, -QUADEC en -JOLLY profielen met het vergelijkbare Art.-No. oppervlak bij elkaar.

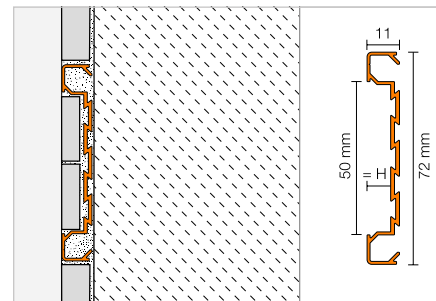


## Decoratief profiel

## Schlüter®-QUADEC-FS



Schlüter-QUADEC-FS is een decoratief profiel voor de omranding van boorden of ornamenteel geplaatste tegelstrips.  
(Productdatablad 2.11)



## Schlüter®-QUADEC-FS

Aluminium mat geanodiseerd

H (mm)	L = 2,50 m Art.-No.	€ / m	KV (st.)
8	QF 8/50 ...*	45,04	120

## Hoek

## Schlüter®-QUADEC-FS/E

Buiten-/binnenhoek 90°

H (mm)	Art.-No.	€ / St.	P (st.)
8	EV / QF 8/50 ...*	31,55	50



Het hoekstukje kan zowel voor binnen- als voor buitenhoeken worden gebruikt.

## Art.-No. aanvullen met oppervlak (bijv. EV / QF 8/50 AT)

\* Oppervlakken: AE - AT

Een overzicht van de oppervlakken en kleuren vindt u vanaf pagina 340.



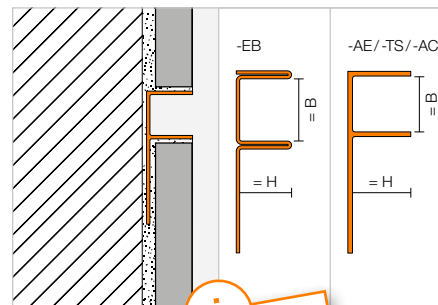
## Opnameprofiel

### Schlüter®-DECO-SG



Schlüter-DECO-SG is een decoratief profiel als voeguitsparing in tegelbekledingen. Het vormt een 12 mm of 15 mm brede schaduwvoeg. De voeg is uitermate geschikt voor het plaatsen en bevestigen van glaselementen in de vloer en wand.

(Productdatablad 2.16)



**i**  
Nu in TRENDLINE  
kleuren verkrijgbaar

#### Schlüter®-DECO-SG-EB

Roestvast staal V4A geborsteld, B = 12 mm

H (mm)	L = 2,50 m Art.-No.	€ / m	KV (st.)
8	SG 80 EB 12	<b>51,47</b>	120
10	SG 100 EB 12	<b>54,05</b>	120
11	SG 110 EB 12	<b>56,61</b>	120
12,5	SG 125 EB 12	<b>59,18</b>	120

#### Schlüter®-DECO-SG-EB

Roestvast staal V4A geborsteld, B = 15 mm

H (mm)	L = 2,50 m Art.-No.	€ / m	KV (st.)
8	SG 80 EB 15	<b>55,33</b>	120
10	SG 100 EB 15	<b>57,90</b>	120
11	SG 110 EB 15	<b>60,48</b>	120
12,5	SG 125 EB 15	<b>63,05</b>	120

#### Schlüter®-DECO-SG-AE

Alu. bruut mat geanodiseerd, B = 12 mm

H (mm)	L = 2,50 m Art.-No.	€ / m	KV (st.)
8	SG 80 AE 12	<b>18,40</b>	120
10	SG 100 AE 12	<b>18,88</b>	120
11	SG 110 AE 12	<b>19,31</b>	120
12,5	SG 125 AE 12	<b>19,82</b>	120

#### Schlüter®-DECO-SG-AE

Alu. bruut mat geanodiseerd, B = 15 mm

H (mm)	L = 2,50 m Art.-No.	€ / m	KV (st.)
8	SG 80 AE 15	<b>21,29</b>	120
10	SG 100 AE 15	<b>21,60</b>	120
11	SG 110 AE 15	<b>22,36</b>	120
12,5	SG 125 AE 15	<b>22,85</b>	120

#### Schlüter®-DECO-SG-AC

Alu. met kleurcoating, B = 12 mm

H (mm)	L = 2,50 m Art.-No.	€ / m	KV (st.)
8	SG 80 ...* 12	<b>21,53</b>	120
10	SG 100 ...* 12	<b>22,04</b>	120
11	SG 110 ...* 12	<b>22,55</b>	120
12,5	SG 125 ...* 12	<b>23,06</b>	120

#### Schlüter®-DECO-SG-AC

Alu. met kleurcoating, B = 15 mm

H (mm)	L = 2,50 m Art.-No.	€ / m	KV (st.)
8	SG 80 ...* 15	<b>25,11</b>	120
10	SG 100 ...* 15	<b>25,63</b>	120
11	SG 110 ...* 15	<b>26,14</b>	120
12,5	SG 125 ...* 15	<b>26,65</b>	120

**MyDesign by Schlüter-Systems**  
Individuele coating in  
190 RAL-Classic kleuren mogelijk.  
Meer info vanaf pagina 16.

#### Schlüter®-DECO-SG-TS

Alu. structuur-gecoat, B = 12 mm

H (mm)	L = 2,50 m Art.-No.	€ / m	KV (st.)
8	SG 80 ...** 12	<b>25,84</b>	120
10	SG 100 ...** 12	<b>26,45</b>	120
11	SG 110 ...** 12	<b>27,06</b>	120
12,5	SG 125 ...** 12	<b>27,67</b>	120

#### Schlüter®-DECO-SG-TS

Alu. structuur-gecoat, B = 15 mm

H (mm)	L = 2,50 m Art.-No.	€ / m	KV (st.)
8	SG 80 ...** 15	<b>30,13</b>	120
10	SG 100 ...** 15	<b>30,76</b>	120
11	SG 110 ...** 15	<b>31,37</b>	120
12,5	SG 125 ...** 15	<b>31,98</b>	120



#### Art.-No. kleur toevoegen (bijv. SG 80 TSOB 15)

\* Kleuren: MBW - MGS

\*\* Kleuren: TSBG - TSC - TSDA - TSG - TSI - TSOB - TSSG

## Beschikbare oppervlakken | Kleuren



Een overzicht van de oppervlakken en kleuren vindt u vanaf pagina 340.

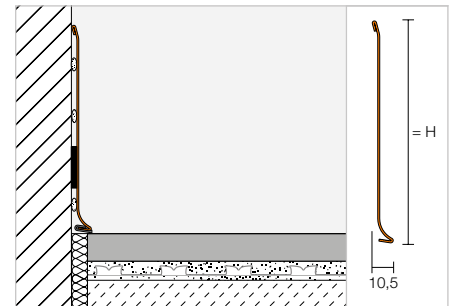
## Plintprofiel

## Schlüter®-DESIGNBASE-SL-E



Schlüter-DESIGNBASE-SL-E is een hoogwaardig profiel van roestvast staal, voor het snel realiseren van plintbekledingen in intensief gebruikte ruimtes. Het profiel wordt met een geschikte lijm aan de wand bevestigd. Met de verbindingselementen, die ook van roestvast staal zijn, is een eenvoudige en snelle montage mogelijk. Optioneel kan het profiel worden voorzien van een als toebehoren verkrijgbare afdichtlip, om de randvoegen te beschermen tegen het binnendringen van vocht en de overdracht van contactgeluid te verminderen.

(Productdatablad 16.2)



## Schlüter®-DESIGNBASE-SL-EB

Roestvast staal V2A geborsteld

H (mm)	L = 2,50 m Art.-No.	€ / m	KV (st.)
110	DB SL 110 EB	46,32	60
160	DB SL 160 EB	57,90	60

## Hoek | Eindkapje | Verbindingsstuk | Afdichtlip

## Schlüter®-DESIGNBASE-SL-EB/E 90°

Buitenhoek 90°  
roestvast staal V2A geborsteld

H (mm)	Art.-No.	€ / St.	P (st.)
110	E 90 / DB SL 110 EB	45,03	50
160	E 90 / DB SL 160 EB	47,61	50



## Schlüter®-DESIGNBASE-SL-EB/I 90°

Binnenhoek 90°  
roestvast staal V2A geborsteld

H (mm)	Art.-No.	€ / St.	P (st.)
110	I 90 / DB SL 110 EB	45,03	50
160	I 90 / DB SL 160 EB	47,61	50

## Schlüter®-DESIGNBASE-SL-EB/EK

Eindkapje links  
roestvast staal V2A geborsteld

H (mm)	Art.-No.	€ / St.	P (st.)
110	EL / DB SL 110 EB	32,16	50
160	EL / DB SL 160 EB	33,45	50



## Schlüter®-DESIGNBASE-SL-EB/EK

Eindkapje rechts  
roestvast staal V2A geborsteld

H (mm)	Art.-No.	€ / St.	P (st.)
110	ER / DB SL 110 EB	32,16	50
160	ER / DB SL 160 EB	33,45	50

## Schlüter®-DESIGNBASE-SL-EB/V

Verbindingsstuk  
roestvast staal V2A geborsteld

H (mm)	Art.-No.	€ / St.	P (st.)
110	V / DB SL 110 EB	19,30	50
160	V / DB SL 160 EB	20,58	50



## Schlüter®-DESIGNBASE-SL-ZS

Afdichtlip

L = 2,50 m Art.-No.	€ / m	KV (st.)
DB ZS LLE	5,80	60

**Kleuren:**

DB ZS LLE = lichtgrijs



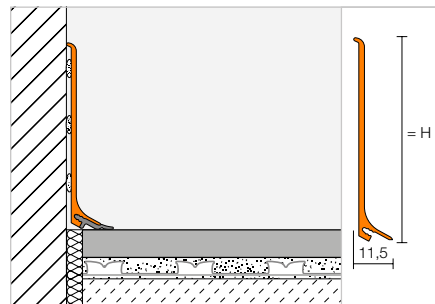


## Plintprofiel

### Schlüter®-DESIGNBASE-SL-A



Schlüter-DESIGNBASE-SL-A is een profiel van hoogwaardig gecoat of geanodiseerd aluminium voor het snel realiseren van aantrekkelijke plintbekledingen. Het profiel wordt eenvoudig met een geschikte lijm aan de wand bevestigd. Optioneel kan het profiel worden voorzien van een als toebehoren verkrijgbare afdichtlip, om de randvoegen te beschermen tegen het binnendringen van vocht en de overdracht van contactgeluid te verminderen. (Productdatablad 16.2)



#### Schlüter®-DESIGNBASE-SL-AE

Alu. bruut mat geanodiseerd

H (mm)	L = 2,50 m Art.-No.	€ / m	KV (st.)
60	DB SL 60 AE	<b>14,50</b>	60
80	DB SL 80 AE	<b>18,45</b>	60

#### Schlüter®-DESIGNBASE-SL-AEEB

Alu. rvs-look geborsteld geanodiseerd

H (mm)	L = 2,50 m Art.-No.	€ / m	KV (st.)
60	DB SL 60 AEEB	<b>25,04</b>	60
80	DB SL 80 AEEB	<b>32,30</b>	60

#### Schlüter®-DESIGNBASE-SL-AC

Alu. met kleurcoating

H (mm)	L = 2,50 m Art.-No.	€ / m	KV (st.)
60	DB SL 60 MBW	<b>19,12</b>	60
80	DB SL 80 MBW	<b>23,73</b>	60

## Hoek | Eindkapje | Verbindingsstuk | Afdichtlip

#### Schlüter®-DESIGNBASE-SL-AE/ED

Buitenhoek 90°  
alu. bruut mat geanodiseerd

H (mm)	Art.-No.	€ / St.	P (st.)
60	ED / DB SL 60 AE	<b>13,18</b>	50
80	ED / DB SL 80 AE	<b>13,18</b>	50

#### Schlüter®-DESIGNBASE-SL-AEEB/ED

Buitenhoek 90°  
alu. rvs-look geborsteld geanodiseerd

H (mm)	Art.-No.	€ / St.	P (st.)
60	ED / DB SL 60 AEEB	<b>13,18</b>	50
80	ED / DB SL 80 AEEB	<b>13,18</b>	50

#### Schlüter®-DESIGNBASE-SL-AC/ED

Buitenhoek 90°  
alu. met kleurcoating

H (mm)	Art.-No.	€ / St.	P (st.)
60	ED / DB SL 60 MBW	<b>13,18</b>	50
80	ED / DB SL 80 MBW	<b>13,18</b>	50

#### Schlüter®-DESIGNBASE-SL-AE/ID

Binnenhoek 90°  
alu. bruut mat geanodiseerd

H (mm)	Art.-No.	€ / St.	P (st.)
60	ID / DB SL 60 AE	<b>13,18</b>	50
80	ID / DB SL 80 AE	<b>13,18</b>	50

#### Schlüter®-DESIGNBASE-SL-AEEB/ID

Binnenhoek 90°  
alu. rvs-look geanodiseerd

H (mm)	Art.-No.	€ / St.	P (st.)
60	ID / DB SL 60 AEEB	<b>13,18</b>	50
80	ID / DB SL 80 AEEB	<b>13,18</b>	50

#### Schlüter®-DESIGNBASE-SL-AC/ID

Binnenhoek 90°  
alu. met kleurcoating

H (mm)	Art.-No.	€ / St.	P (st.)
60	ID / DB SL 60 MBW	<b>13,18</b>	50
80	ID / DB SL 80 MBW	<b>13,18</b>	50

### Opmerking:

De binnenhoeken (ID / DB SL 60 AEEB en ID / DB SL 80 AEEB) zijn wegens productietechnische redenen niet geborsteld.

#### Schlüter®-DESIGNBASE-SL-AE/EK

Eindkapje links  
alu. bruut mat geanodiseerd

H (mm)	Art.-No.	€ / St.	P (st.)
60	EL / DB SL 60 AE	<b>13,18</b>	50
80	EL / DB SL 80 AE	<b>13,18</b>	50

#### Schlüter®-DESIGNBASE-SL-AEEB/EK

Eindkapje links  
alu. rvs-look geborsteld geanodiseerd

H (mm)	Art.-No.	€ / St.	P (st.)
60	EL / DB SL 60 AEEB	<b>13,18</b>	50
80	EL / DB SL 80 AEEB	<b>13,18</b>	50

#### Schlüter®-DESIGNBASE-SL-AC/EK

Eindkapje links  
alu. met kleurcoating

H (mm)	Art.-No.	€ / St.	P (st.)
60	EL / DB SL 60 MBW	<b>13,18</b>	50
80	EL / DB SL 80 MBW	<b>13,18</b>	50

#### Schlüter®-DESIGNBASE-SL-AE/EK

Eindkapje rechts  
alu. bruut mat geanodiseerd

H (mm)	Art.-No.	€ / St.	P (st.)
60	ER / DB SL 60 AE	<b>13,18</b>	50
80	ER / DB SL 80 AE	<b>13,18</b>	50

#### Schlüter®-DESIGNBASE-SL-AEEB/EK

Eindkapje rechts  
alu. rvs-look geborsteld geanodiseerd

H (mm)	Art.-No.	€ / St.	P (st.)
60	ER / DB SL 60 AEEB	<b>13,18</b>	50
80	ER / DB SL 80 AEEB	<b>13,18</b>	50

#### Schlüter®-DESIGNBASE-SL-AC/EK

Eindkapje rechts  
alu. met kleurcoating

H (mm)	Art.-No.	€ / St.	P (st.)
60	ER / DB SL 60 MBW	<b>13,18</b>	50
80	ER / DB SL 80 MBW	<b>13,18</b>	50



**Schlüter®-DESIGNBASE-SL-AE/V**Verbindingsstuk  
alu. bruut mat geanodiseerd

H (mm)	Art.-No.	€ / St.	P (st.)
60	V / DB SL 60 AE	<b>13,18</b>	50
80	V / DB SL 80 AE	<b>13,18</b>	50

**Verkrijgbare kleurcoating:**

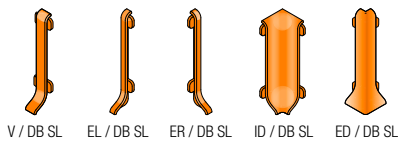
MBW

Kleuren: MBW

Een overzicht van de oppervlakken en kleuren vindt u vanaf pagina 340.

**Schlüter®-DESIGNBASE-SL-AEEB/V**Verbindingsstuk  
alu. rvs-look geborsteld geanodiseerd

H (mm)	Art.-No.	€ / St.	P (st.)
60	V / DB SL 60 AE EB	<b>13,18</b>	50
80	V / DB SL 80 AE EB	<b>13,18</b>	50

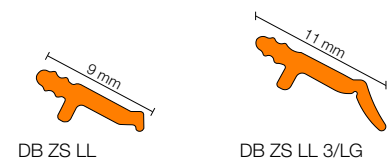
**Schlüter®-DESIGNBASE-SL-AC/V**Verbindingsstuk  
alu. met kleurcoating

H (mm)	Art.-No.	€ / St.	P (st.)
60	V / DB SL 60 MBW	<b>13,18</b>	50
80	V / DB SL 80 MBW	<b>13,18</b>	50

**Schlüter®-DESIGNBASE-SL/ZS**

Afdichtlip

L = 2,50 m Art.-No.	€ / m	KV (st.)
DB ZS LL	<b>5,21</b>	60
DB ZS LL 3/LG	<b>6,46</b>	60

**Kleuren:**DB ZS LL = lichtgrijs  
DB ZS LL 3/LG = lichtgrijs**Opmerking:**

Nieuwe, verlengde afdichtlip DB ZS LL 3/LG voor dekvloeroneffenheden in nieuwbouw.

**Opmerking:**

Schlüter-DESIGNBASE-SL-A kan met de buigmachine Schlüter-RUMA onder bepaalde voorwaarden in een radius worden gebogen. Neem indien nodig contact met ons op. Plinten met LED-verlichting maakt u met Schlüter-DESIGNBASE-QD, zie prijslijst LT.



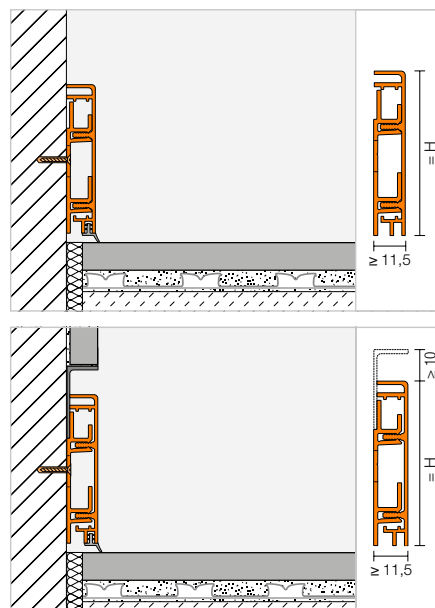
## Plintprofiel

### Schlüter®-DESIGNBASE-CQ



Schlüter-DESIGNBASE-CQ/O

Schlüter-DESIGNBASE-CQ is een profiel van hoogwaardig gecoat of geanodiseerd aluminium voor het maken van decoratieve plinten. Het in de hoogte verstelbare draagprofiel uit kunststof is voorzien van een ruimte waarin kabels verborgen kunnen worden. Kabeldoorvoeringen zijn als toebehoren verkrijgbaar. Bij een vlakke wandinbouw is het mogelijk om een schaduwvoeg te creëren met het optioneel verkrijgbare aluminium hoekprofiel. De optionele afdichtlip beschermt het profiel tegen binnendringend vocht en beperkt de overdracht van contactgeluid. (Productdatablad 16.3)



#### Schlüter®-DESIGNBASE-CQ-AE

Set, alu. bruut mat geanodiseerd

H (mm)	L = 2,50 m Art.-No.	€ / m	KV (Set)
60	DB CQ 60 AE	30,98	60
80	DB CQ 80 AE	32,96	60

#### Schlüter®-DESIGNBASE-CQ-AEEB

Set, alu. rvs-look geborsteld geanodiseerd

H (mm)	L = 2,50 m Art.-No.	€ / m	KV (Set)
60	DB CQ 60 AEEB	38,21	60
80	DB CQ 80 AEEB	42,18	60

#### Schlüter®-DESIGNBASE-CQ-AC

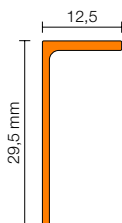
Set, alu. met kleurcoating

H (mm)	L = 2,50 m Art.-No.	€ / m	KV (Set)
60	DB CQ 60 MBW	35,59	60
80	DB CQ 80 MBW	39,55	60

#### Schlüter®-DESIGNBASE-CQ/SG

Schaduwvoeg-hoekprofiel

H (mm)	L = 2,50 m Art.-No.	€ / m	KV (st.)
12,5	DB SG 125 AE	9,16	60
12,5	DB SG 125 MBW	13,78	60
12,5	DB SG 125 AEEB	19,12	60



#### Opmerking:

De set bestaat uit het profiel Schlüter-DESIGNBASE-CQ, een draagprofiel uit PVC en bevestigingsmateriaal.

## Hoek | Eindkapje | Kabeldoorvoer | Afdichtlip

#### Schlüter®-DESIGNBASE-CQ-AE/EV

Buiten-/binnenhoek 90° / eindkapje  
alu. bruut mat geanodiseerd

H (mm)	Art.-No.	€ / St.	P (st.)
60	EV / DB CQ 60 AE	20,41	50
80	EV / DB CQ 80 AE	20,41	50

#### Schlüter®-DESIGNBASE-CQ-AEEB/EV

Buiten-/binnenhoek 90° / eindkapje  
alu. rvs-look geborsteld geanodiseerd

H (mm)	Art.-No.	€ / St.	P (st.)
60	EV / DB CQ 60 AEEB	21,75	50
80	EV / DB CQ 80 AEEB	21,75	50

#### Schlüter®-DESIGNBASE-CQ-AC/EV

Buiten-/binnenhoek 90° / eindkapje  
alu. met kleurcoating

H (mm)	Art.-No.	€ / St.	P (st.)
60	EV / DB CQ 60 MBW	21,10	50
80	EV / DB CQ 80 MBW	21,10	50

#### Schlüter®-DESIGNBASE-CQ-AE/O

Kabeldoorvoering, breedte: 15 cm

H (mm)	Art.-No.	€ / St.	P (st.)
60	DB COQ 60 AE/15	15,81	60
80	DB COQ 80 AE/15	16,47	60

#### Schlüter®-DESIGNBASE-CQ-AEEB/O

Kabeldoorvoering, breedte: 15 cm

H (mm)	Art.-No.	€ / St.	P (st.)
60	DB COQ 60 AEEB/15	17,15	60
80	DB COQ 80 AEEB/15	17,80	60

#### Schlüter®-DESIGNBASE-CQ-AC/O

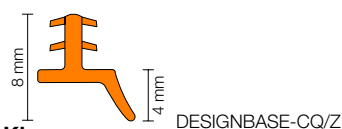
Kabeldoorvoering, breedte: 15 cm

H (mm)	Art.-No.	€ / St.	P (st.)
60	DB COQ 60 MBW/15	16,14	60
80	DB COQ 80 MBW/15	16,94	60

#### Schlüter®-DESIGNBASE-CQ/Z

Afdichtlip

L = 2,50 m Art.-No.	€ / m	P (st.)
DB ZCL / MBW	7,25	60
DB ZCL / PG	7,25	60



#### Kleuren:

DB ZCL / MBW = zuiver wit mat  
DB ZCL / PG = pastelgrijs

#### Verkrijgbare kleurcoating:

MBW

Kleuren: MBW

# Praktisch en mooi

## Werkbladen met keramiek

Werkbladen met een keramische bekleding zijn een upgrade voor elke keuken. Ze zijn niet alleen onderhoudsvriendelijk en hoog belastbaar, ze zijn ook optisch een grote meerwaarde.

Om ervoor te zorgen dat u lang kunt genieten van uw werkblad, moet de constructie aan de randen elegant worden afgewerkt en tegen mechanische belasting zijn beschermd. Met Schlüter-SCHIENE-STEP en -RONDEC-STEP biedt Schlüter-Systems twee profielseries die speciaal voor deze toepassing zijn ontwikkeld.

De profielen kunnen met MyDesign by Schlüter-Systems aan het design van de tegels worden aangepast.





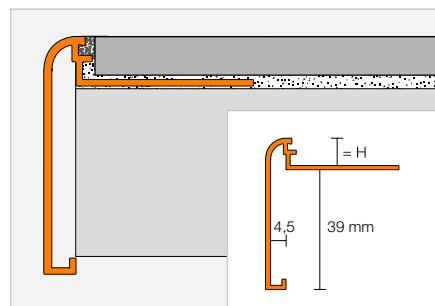
## Afsluitprofiel

### Schlüter®-RONDEC-STEP



Schlüter-RODEC-STEP is een kantprofiel met voegribje voor werkbladen of plateaus waarop een keramische bekleding komt. De bovenste afsluitkant heeft een afgeronde rand.

(Productdatablad 2.8)



#### Schlüter®-RONDEC-STEP-AE

Alu. bruut mat geanodiseerd

H (mm)	L = 2,50 m Art.-No.	€ / m	KV (st.)
8	RS 80 AE 39	<b>27,98</b>	60
10	RS 100 AE 39	<b>28,59</b>	60
12,5	RS 125 AE 39	<b>29,16</b>	60

#### Schlüter®-RONDEC-STEP-ACGB

Alu. chroom geborsteld geanodiseerd

H (mm)	L = 2,50 m Art.-No.	€ / m	KV (st.)
8	RS 80 ACGB 39	<b>34,57</b>	60
10	RS 100 ACGB 39	<b>35,14</b>	60
12,5	RS 125 ACGB 39	<b>35,67</b>	60

#### Schlüter®-RONDEC-STEP-AC

Alu. met kleurcoating

H (mm)	L = 2,50 m Art.-No.	€ / m	KV (st.)
8	RS 80 ...* 39	<b>31,01</b>	60
10	RS 100 ...* 39	<b>32,03</b>	60
12,5	RS 125 ...* 39	<b>33,06</b>	60

## Hoek

#### Schlüter®-RONDEC-STEP/E 90°

Buitenhoek 90°

H (mm)	Art.-No.	€ / St.	P (st.)
8	E90 RS 80 ...** 39	<b>31,35</b>	50
10	E90 RS 100 ...** 39	<b>31,35</b>	50
12,5	E90 RS 125 ...** 39	<b>31,35</b>	50

#### Schlüter®-RONDEC-STEP/E 135°

Buitenhoek 135°

H (mm)	Art.-No.	€ / St.	P (st.)
8	E135 RS 80 ...** 39	<b>31,35</b>	50
10	E135 RS 100 ...** 39	<b>31,35</b>	50
12,5	E135 RS 125 ...** 39	<b>31,35</b>	50



**MyDesign by Schlüter-Systems**  
Individuele print mogelijk.  
Meer info vanaf pagina 26.

#### Schlüter®-RONDEC-STEP-AC/E 90°

Buitenhoek 90° massief alu.

H (mm)	Art.-No.	€ / St.	P (st.)
8	E90 RS 80 ...* 39	<b>30,24</b>	50
10	E90 RS 100 ...* 39	<b>30,24</b>	50
12,5	E90 RS 125 ...* 39	<b>30,24</b>	50

#### Schlüter®-RONDEC-STEP-AC/E 135°

Buitenhoek 135° massief alu.

H (mm)	Art.-No.	€ / St.	P (st.)
8	E135 RS 80 ...* 39	<b>30,24</b>	50
10	E135 RS 100 ...* 39	<b>30,24</b>	50
12,5	E135 RS 125 ...* 39	<b>30,24</b>	50

#### Schlüter®-RONDEC-STEP/I 90°

Binnenhoek 90°

H (mm)	Art.-No.	€ / St.	P (st.)
8	I90 RS 80 ...** 39	<b>31,35</b>	50
10	I90 RS 100 ...** 39	<b>31,35</b>	50
12,5	I90 RS 125 ...** 39	<b>31,35</b>	50

#### Schlüter®-RONDEC-STEP/I 135°

Binnenhoek 135°

H (mm)	Art.-No.	€ / St.	P (st.)
8	I135 RS 80 ...** 39	<b>31,35</b>	50
10	I135 RS 100 ...** 39	<b>31,35</b>	50
12,5	I135 RS 125 ...** 39	<b>31,35</b>	50



#### Schlüter®-RONDEC-STEP-AC/I 90°

Binnenhoek 90° massief alu.

H (mm)	Art.-No.	€ / St.	P (st.)
8	I90 RS 80 ...* 39	<b>30,24</b>	50
10	I90 RS 100 ...* 39	<b>30,24</b>	50
12,5	I90 RS 125 ...* 39	<b>30,24</b>	50

#### Schlüter®-RONDEC-STEP-AC/I 135°

Binnenhoek 135° massief alu.

H (mm)	Art.-No.	€ / St.	P (st.)
8	I135 RS 80 ...* 39	<b>30,24</b>	50
10	I135 RS 100 ...* 39	<b>30,24</b>	50
12,5	I135 RS 125 ...* 39	<b>30,24</b>	50

Art.-No. aanvullen met oppervlak/kleur  
(bijv. I135 RS 80 MBW 39)



\* Oppervlakken/kleuren: BW - MBW - MGS

\*\* Oppervlakken/kleuren: ACGB - AE

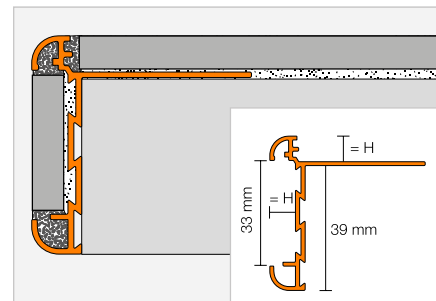
Een overzicht van de oppervlakken en kleuren vindt u vanaf pagina 340.

## Afsluitprofiel

## Schlüter®-RONDEC-STEP-CT



Schlüter-RODEC-STEP-CT is een kantprofiel met voegribbe voor werkbladen of plateaus waarop een keramische bekleding komt. In de voorste uitsparing van het profiel kan de bekleding van het werkblad of een ander decoratief materiaal worden aangebracht. (Productdatablad 2.8)



## Schlüter®-RONDEC-STEP-CT-AE

Alu. bruut mat geanodiseerd

H (mm)	L = 2,50 m Art.-No.	€ / m	KV (st.)
8	RC 80 AE 39	<b>45,95</b>	60
10	RC 100 AE 39	<b>46,98</b>	60
12,5	RC 125 AE 39	<b>47,93</b>	60

## Schlüter®-RONDEC-STEP-CT-ACGB

Alu. chroom geborsteld geanodiseerd

H (mm)	L = 2,50 m Art.-No.	€ / m	KV (st.)
8	RC 80 ACGB 39	<b>49,80</b>	60
10	RC 100 ACGB 39	<b>50,80</b>	60
12,5	RC 125 ACGB 39	<b>51,76</b>	60

## Hoek

## Schlüter®-RONDEC-STEP-CT/E 90°

Buitenhoek 90°

H (mm)	Art.-No.	€ / St.	P (st.)
8	E90 RC 80 ...* 39	<b>31,35</b>	10
10	E90 RC 100 ...* 39	<b>31,35</b>	10
12,5	E90 RC 125 ...* 39	<b>31,35</b>	10

## Schlüter®-RONDEC-STEP-CT/E 135°

Buitenhoek 135°

H (mm)	Art.-No.	€ / St.	P (st.)
8	E135 RC 80 ...* 39	<b>31,35</b>	10
10	E135 RC 100 ...* 39	<b>31,35</b>	10
12,5	E135 RC 125 ...* 39	<b>31,35</b>	10



## Schlüter®-RONDEC-STEP-CT/I 90°

Binnenhoek 90°

H (mm)	Art.-No.	€ / St.	P (st.)
8	I90 RC 80 ...* 39	<b>31,35</b>	10
10	I90 RC 100 ...* 39	<b>31,35</b>	10
12,5	I90 RC 125 ...* 39	<b>31,35</b>	10

## Schlüter®-RONDEC-STEP-CT/I 135°

Binnenhoek 135°

H (mm)	Art.-No.	€ / St.	P (st.)
8	I135 RC 80 ...* 39	<b>31,35</b>	10
10	I135 RC 100 ...* 39	<b>31,35</b>	10
12,5	I135 RC 125 ...* 39	<b>31,35</b>	10



Art.-No. aanvullen met oppervlak (bijv. I135 RC 80 AE 39)

\* Oppervlakken: ACGB - AE

Een overzicht van de oppervlakken en kleuren vindt u vanaf pagina 340.





## Afsluitprofiel | Hoek | Verbindingsstuk

### Schlüter®-SCHIENE-STEP-EB



Schlüter-SCHIENE-STEP-EB is een hoogwaardig afsluitprofiel uit geborsteld roestvast staal. Door de variabele geometrie kan dit profiel worden gebruikt voor verschillende toepassingen zoals bijv. werkbladen, trapreden of voor het afwerken van een renovatie met “tegels op tegels”.

(Productdatablad 2.15)

### Profielhoogte H1 = 11 mm

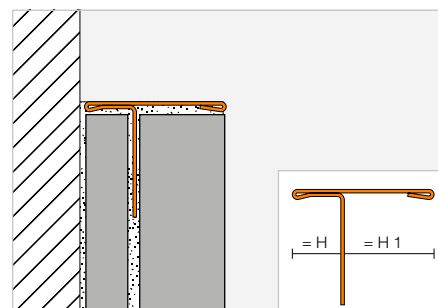


#### Schlüter®-SCHIENE-STEP-EB



Roestvast staal V2A geborsteld, H1 = 11 mm

H (mm)	L = 2,50 m Art.-No.	€ / m	KV (st.)
6	SS 60 EB 11	38,12	60
12,5	SS 125 EB 11	39,16	60



#### Schlüter®-SCHIENE-STEP-EB/V

Verbindingsstuk  
roestvast staal V2A geborsteld

H (mm)	Art.-No.	€ / St.	P (st.)
6	V / SS 60 EB 11	15,25	50
12,5	V / SS 125 EB 11	15,25	50



V / SS EB

### Profielhoogte H1 = 30 mm

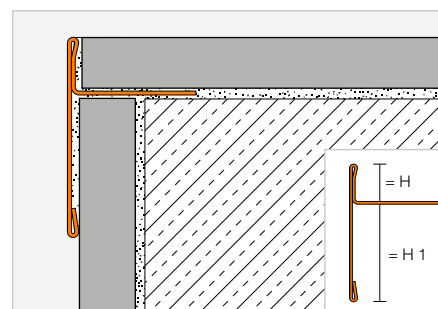


#### Schlüter®-SCHIENE-STEP-EB



Roestvast staal V2A geborsteld, H1 = 30 mm

H (mm)	L = 2,50 m Art.-No.	€ / m	KV (st.)
9	SS 90 EB 30	42,62	60
11	SS 110 EB 30	43,68	60
12,5	SS 125 EB 30	44,68	60



#### Schlüter®-SCHIENE-STEP-EB/E 90°

Buitenhoek 90°  
roestvast staal V2A geborsteld

H (mm)	Art.-No.	€ / St.	P (st.)
9	E90 / SS 90 EB 30	17,33	50
11	E90 / SS 110 EB 30	17,33	50
12,5	E90 / SS 125 EB 30	17,33	50

#### Schlüter®-SCHIENE-STEP-EB/V

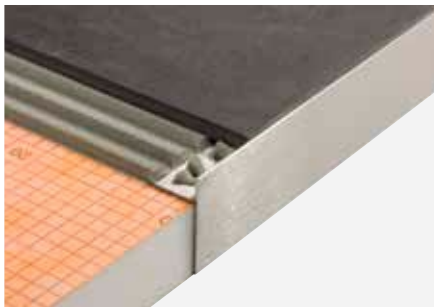
Verbindingsstuk  
roestvast staal V2A geborsteld

H (mm)	Art.-No.	€ / St.	P (st.)
9	V / SS 90 EB 30	15,25	50
11	V / SS 110 EB 30	15,25	50
12,5	V / SS 125 EB 30	15,25	50

#### Opmerking:

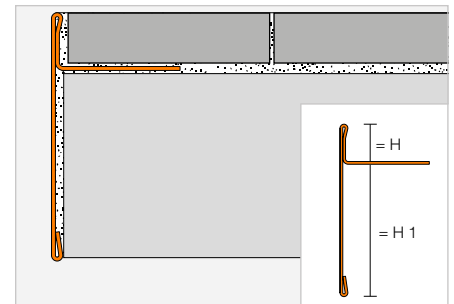
De buitenhoek 90° is ook bruikbaar als eindkapje.

## Profielhoogte H1 = 39 mm

**Schlüter®-SCHIENE-STEP-EB**

Roestvast staal V2A geborsteld, H1 = 39 mm

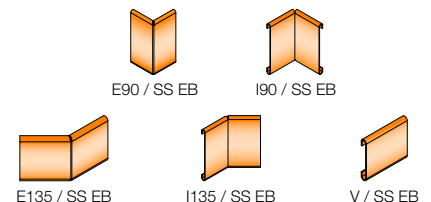
H (mm)	L = 2,50 m Art.-No.	€ / m	KV (st.)
6	SS 60 EB 39	51,28	60
9	SS 90 EB 39	53,35	60
11	SS 110 EB 39	54,40	60
12,5	SS 125 EB 39	56,14	60

**Schlüter®-SCHIENE-STEP-EB/E 90°**Buitenhoek 90°  
roestvast staal V2A geborsteld

H (mm)	Art.-No.	€ / St.	P (st.)
6	E90 / SS 60 EB 39	17,33	50
9	E90 / SS 90 EB 39	17,33	50
11	E90 / SS 110 EB 39	17,33	50
12,5	E90 / SS 125 EB 39	17,33	50

**Schlüter®-SCHIENE-STEP-EB/I 90°**Binnenhoek 90°  
roestvast staal V2A geborsteld

H (mm)	Art.-No.	€ / St.	P (st.)
6	I90 / SS 60 EB 39	17,33	50
9	I90 / SS 90 EB 39	17,33	50
11	I90 / SS 110 EB 39	17,33	50
12,5	I90 / SS 125 EB 39	17,33	50

**Schlüter®-SCHIENE-STEP-EB/E 135°**Buitenhoek 135°  
roestvast staal V2A geborsteld

H (mm)	Art.-No.	€ / St.	P (st.)
6	E135 / SS 60 EB 39	17,33	50
9	E135 / SS 90 EB 39	17,33	50
11	E135 / SS 110 EB 39	17,33	50
12,5	E135 / SS 125 EB 39	17,33	50

**Schlüter®-SCHIENE-STEP-EB/I 135°**Binnenhoek 135°  
roestvast staal V2A geborsteld

H (mm)	Art.-No.	€ / St.	P (st.)
6	I135 / SS 60 EB 39	17,33	50
9	I135 / SS 90 EB 39	17,33	50
11	I135 / SS 110 EB 39	17,33	50
12,5	I135 / SS 125 EB 39	17,33	50

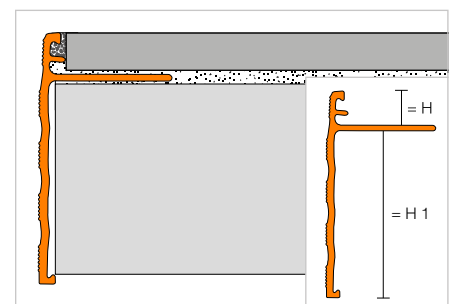
**Schlüter®-SCHIENE-STEP-EB/V**Verbindingsstuk  
roestvast staal V2A geborsteld

H (mm)	Art.-No.	€ / St.	P (st.)
6	V / SS 60 EB 39	15,25	50
9	V / SS 90 EB 39	15,25	50
11	V / SS 110 EB 39	15,25	50
12,5	V / SS 125 EB 39	15,25	50

## Afluitprofiel

**Schlüter®-SCHIENE-STEP**

Schlüter®-SCHIENE-STEP is een kantprofiel met voegribje voor werkbladen of plateaus waarop een keramische bekleding komt. (Productdatablad 2.15)

**Schlüter®-SCHIENE-STEP-AE**

Alu. bruut mat geanodiseerd, H1 = 30 mm

H (mm)	L = 2,50 m Art.-No.	€ / m	KV (st.)
8	SS 80 AE 30	27,21	60
10	SS 100 AE 30	27,66	60
12,5	SS 125 AE 30	28,48	60
15	SS 150 AE 30	29,23	60

**Schlüter®-SCHIENE-STEP-AE**

Alu. bruut mat geanodiseerd, H1 = 39 mm

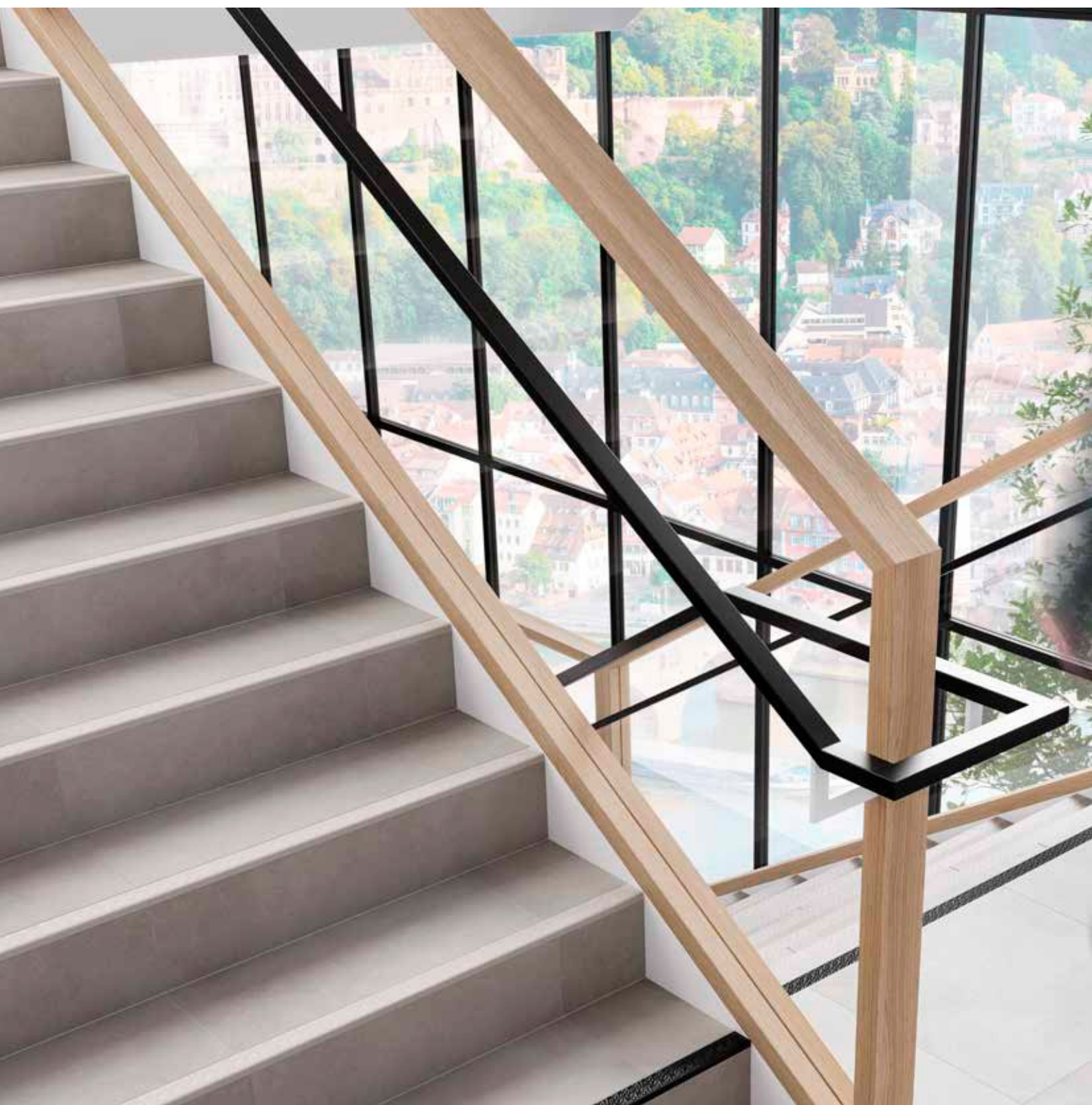
H (mm)	L = 2,50 m Art.-No.	€ / m	KV (st.)
8	SS 80 AE 39	27,96	60
10	SS 100 AE 39	28,37	60
12,5	SS 125 AE 39	29,23	60
15	SS 150 AE 39	29,70	60



# Schlüter-profielen

## Trapprofielen

Randen van traptreden zijn blootgesteld aan hoge mechanische belastingen. Daarnaast zijn ze ook een belangrijke oorzaak van ongevallen. Door hun slijpwerende en optisch opvallende uitvoering bieden Schlüter-TREP-profielen, die ook achteraf aangebracht kunnen worden, meer veiligheid op trappen. Ze beschermen de trapranden tegen beschadiging en voorkomen zo schade aan de traptegels. Schlüter-TREP-profielen kunnen ook perfect met de Schlüter-LIPROTEC LichtProfielTechniek worden gecombineerd.





## Trapprofielen

Schlüter®-TREP-V	111
Schlüter®-TREP-S/-B	113
Schlüter®-TREP-E	115
Schlüter®-TREP-G/-GL	116
Schlüter®-TREP-FL	117

## Trapprofielen voor montage achteraf

Schlüter®-TREP-EK	119
Schlüter®-TREP-EFK	119
Schlüter®-TREP-GK/-GLK	120

## Montagelijm

Schlüter®-KERDI-FIX	121
---------------------	-----





# Schlüter®-TREP-V

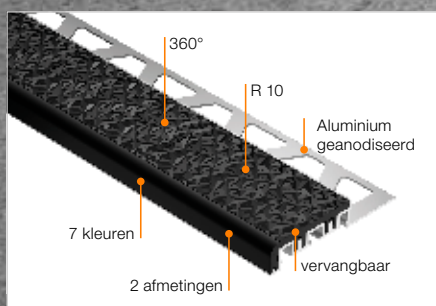
## Design en functie in harmonie

Schlüter-TREP-V combineert de nieuwste ontwikkelingen op het gebied van antislip met de aanbevelingen van de momenteel geldende voorschriften. TREP-V zorgt met antislip R 10 volgens DIN EN 16165 voor een veilig gebruik van trappen en kan worden toegepast in alle niet-vochtbelaste binnenruimten.

De kleuren van de gepatenteerde vervangbare loopvlakken zijn zodanig afgestemd, dat een optimaal contrasteffect met de gangbare tegelkleuren kan worden bereikt. In twee praktische afmetingen en met een breed, modern kleurenpalet kunt u met TREP-V aantrekkelijke en normconforme trappen realiseren.



TREP-V 42



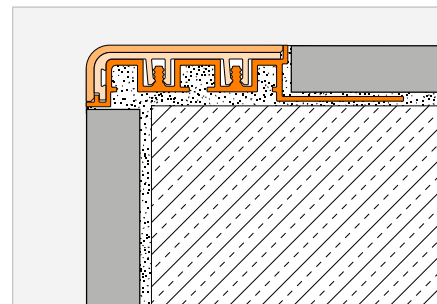


Trapprofiel

Schlüter®-TREP-V



Schlüter-TREP-V is een trapprofiel uit aluminium met een vervangbaar loopvlak van antislip kunststof. Het uitgebreide kleurenpalet van de loopvlakken kan zorgen voor het vereiste contrast met de aangrenzende vloerbekleding. Het profiel is naar keuze leverbaar met een smal (TREP-V 42) of een breed (TREP-V 60) loopvlak.  
(Productdatablad 3.6)



Schlüter®-TREP-V 42

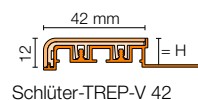
Draagprofiel (42 mm / 12 mm)  
alu. bruint mat geanodiseerd, R 10

H (mm)	L = 3,00 m Art.-No.	€ / m	KV (st.)
9	TVL 42 ...* 90/300	28,19	60
11	TVL 42 ...* 110/300	29,21	60
12,5	TVL 42 ...* 125/300	30,24	60
L = 2,00 m			
9	TVL 42 ...* 90/200	28,19	60
11	TVL 42 ...* 110/200	29,21	60
12,5	TVL 42 ...* 125/200	30,24	60
L = 1,50 m			
9	TVL 42 ...* 90/150	28,19	60
11	TVL 42 ...* 110/150	29,21	60
12,5	TVL 42 ...* 125/150	30,24	60
L = 1,00 m			
9	TVL 42 ...* 90/100	28,19	60
11	TVL 42 ...* 110/100	29,21	60
12,5	TVL 42 ...* 125/100	30,24	60

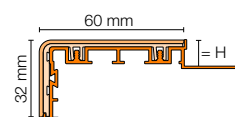
Schlüter®-TREP-V 60

Draagprofiel (60 mm / 32 mm)  
alu. bruint mat geanodiseerd, R 10

H (mm)	L = 3,00 m Art.-No.	€ / m	KV (st.)
9	TVL 60 ...* 90/300	37,41	60
11	TVL 60 ...* 110/300	38,95	60
12,5	TVL 60 ...* 125/300	40,49	60
L = 2,00 m			
9	TVL 60 ...* 90/200	37,41	60
11	TVL 60 ...* 110/200	38,95	60
12,5	TVL 60 ...* 125/200	40,49	60
L = 1,50 m			
9	TVL 60 ...* 90/150	37,41	60
11	TVL 60 ...* 110/150	38,95	60
12,5	TVL 60 ...* 125/150	40,49	60
L = 1,00 m			
9	TVL 60 ...* 90/100	37,41	60
11	TVL 60 ...* 110/100	38,95	60
12,5	TVL 60 ...* 125/100	40,49	60



Schlüter-TREP-V 42

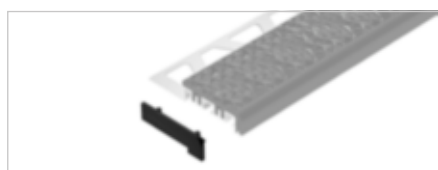


Schlüter-TREP-V 60

Opmerking:

R 10 = Antislip classificatie volgens DIN EN 16165

Eindkapje



Schlüter®-TREP-V 42/EK

Eindkapje PVC, links + rechts

Art.-No.	€ / Set	P (st.)
E / TV 42 ...*	3,90	50

Opmerking:

Werkhandleiding voor Schlüter-TREP-V vindt u bij het downloadgedeelte.



Art.-No. kleur toevoegen (bijv. TVL 60 GS/300)



\* Kleuren: FG - GS - HB - HG - NB - SG - SP

Een overzicht van de oppervlakken en kleuren vindt u vanaf pagina 340.

Toebehoren voor TREP-V



Schlüter®-TREP-V 42/EL

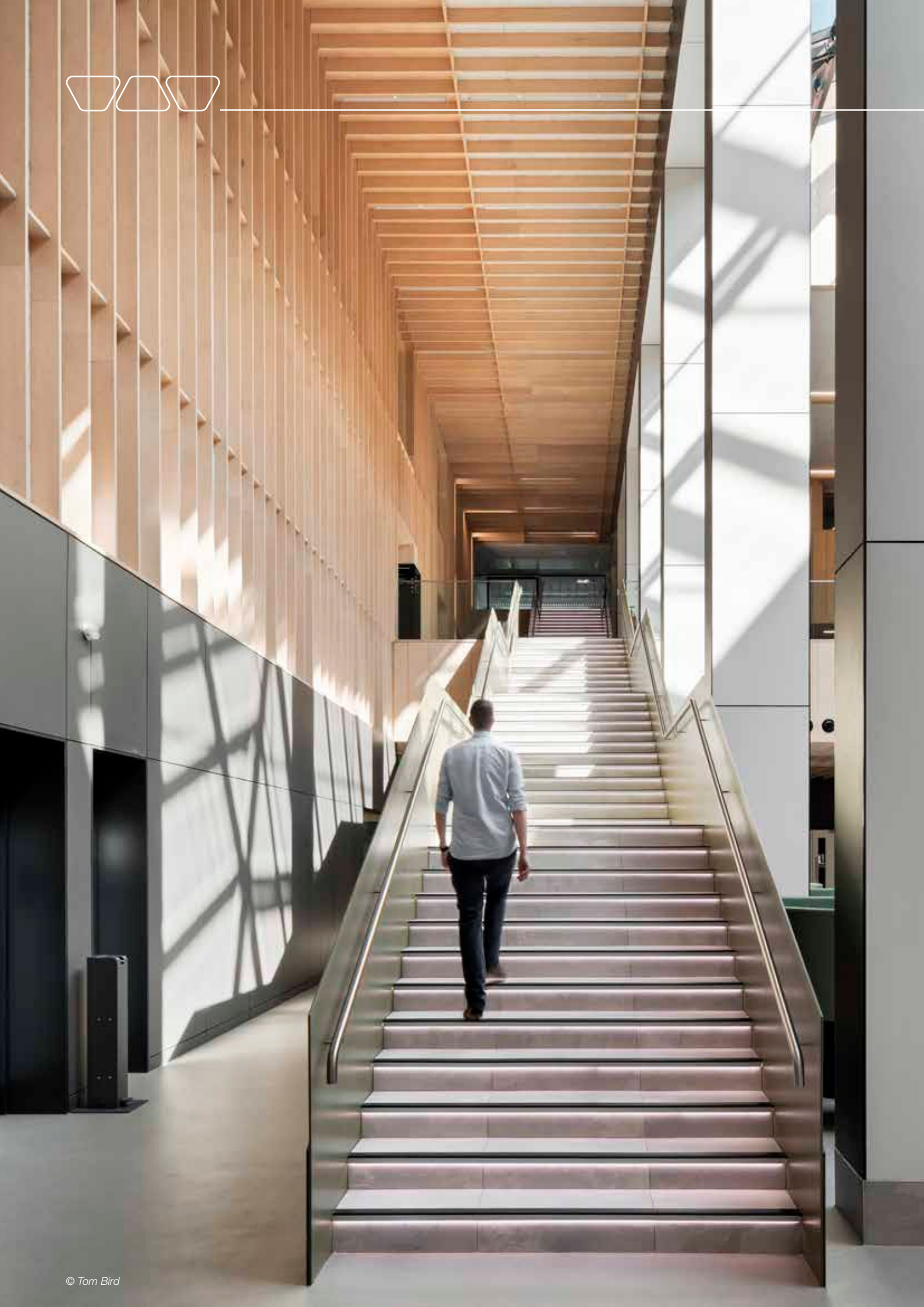
Vervangstuk: inlage (42 mm / 12 mm), R 10

L = 3,00 m Art.-No.	€ / m	P (st.)
TVL 42 ...*/300	8,71	60
L = 2,00 m		
TVL 42 ...*/200	8,71	60

Schlüter®-TREP-V 60/EL

Vervangstuk: inlage (60 mm / 32 mm), R 10

L = 3,00 m Art.-No.	€ / m	P (st.)
TVL 60 ...*/300	12,30	60
L = 2,00 m		
TVL 60 ...*/200	12,30	60

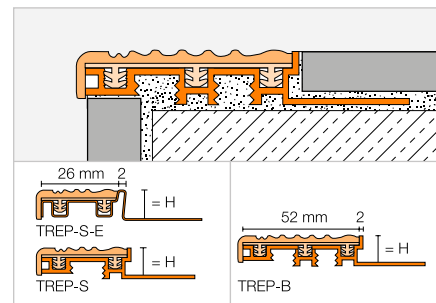


## Trapprofiel

## Schlüter®-TREP-S/-B



Schlüter-TREP-S/-B zijn aluminium of roestvaststalen trapprofielen met een ingeklemd, vervangbaar loopvlak van antislip kunststof. Ze zijn naar keuze leverbaar met een breed (TREP-B) of smal (TREP-S) loopvlak.  
(Productdatablad 3.2)



## Schlüter®-TREP-B

Aluminium draagprofiel breed (52 mm), R 9

H (mm)	L = 2,50 m Art.-No.	€ / m	KV (st.)
8	...* 8 B	28,38	60
10	...* 10 B	30,10	60
12,5	...* 12 B	31,44	60
15	...* 15 B	33,16	60
25	...* 25 B	33,95	60
<b>L = 1,50 m</b>			
8	...* 8 B/150	28,38	60
10	...* 10 B/150	30,10	60
12,5	...* 12 B/150	31,44	60
15	...* 15 B/150	33,16	60
25	...* 25 B/150	33,95	60
<b>L = 1,00 m</b>			
8	...* 8 B/100	29,30	60
10	...* 10 B/100	31,06	60
12,5	...* 12 B/100	32,44	60
15	...* 15 B/100	34,10	60
25	...* 25 B/100	34,87	60

## Schlüter®-TREP-S

Aluminium draagprofiel smal (26 mm), R 9

H (mm)	L = 2,50 m Art.-No.	€ / m	KV (st.)
8	...* 8 S	20,35	60
10	...* 10 S	20,93	60
12,5	...* 12 S	21,80	60
<b>L = 1,50 m</b>			
8	...* 8 S/150	20,35	60
10	...* 10 S/150	20,93	60
12,5	...* 12 S/150	21,80	60
<b>L = 1,00 m</b>			
8	...* 8 S/100	21,42	60
10	...* 10 S/100	21,91	60
12,5	...* 12 S/100	22,73	60

**Opmerking:**

R 9 = Antislip classificatie volgens  
DIN 51 130

## Toebehoren voor TREP-B

## Schlüter®-TREP-B/EK

Eindkapje, breed (52 mm)

Art.-No.	€ / St.	P (st.)
E 52 / ...*	2,15	50

## Schlüter®-TREP-B/EL

Vervangstuk: inlage breed (52 mm)

L = 2,50 m Art.-No.	€ / m	KV (st.)
PE 52 / ...*	7,87	60

## Toebehoren voor TREP-S/-S-E

## Schlüter®-TREP-S/EK

Eindkapje, smal (26 mm)

Art.-No.	€ / St.	P (st.)
E 26 / ...*	1,30	50

## Schlüter®-TREP-S/EL

Vervangstuk: inlage smal (26 mm)

L = 2,50 m Art.-No.	€ / m	KV (st.)
PE 26 / ...*	6,67	60



Art.-No. kleur toevoegen (bijv. PE 26 / HB)



\* Kleuren: CG - G - GS - HB - NB

## Schlüter®-TREP-S-E

Roestvast staal V2A draagprofiel smal (26 mm), R 9

H (mm)	L = 2,50 m Art.-No.	€ / m	KV (st.)
8	...* 8 SE	28,50	60
10	...* 10 SE	29,38	60
12,5	...* 12 SE	30,23	60
<b>L = 1,50 m</b>			
8	...* 8 SE/150	28,50	60
10	...* 10 SE/150	29,38	60
12,5	...* 12 SE/150	30,23	60
<b>L = 1,00 m</b>			
8	...* 8 SE/100	29,54	60
10	...* 10 SE/100	30,32	60
12,5	...* 12 SE/100	31,32	60

## Schlüter®-TREP-TAP

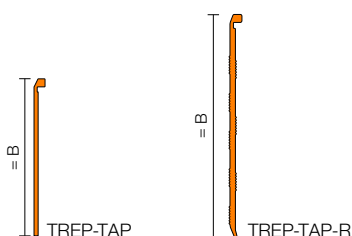
Afdeekprofiel

B (mm)	L = 2,50 m Art.-No.	€ / m	KV (st.)
50	TAP 50 AE	14,74	60
<b>L = 1,50 m</b>			
50	TAP 50 AE/150	14,74	60
<b>L = 1,00 m</b>			
50	TAP 50 AE/100	14,74	60

## Schlüter®-TREP-TAP-R

Afdeekprofiel, geribbeld

B (mm)	L = 2,50 m Art.-No.	€ / m	KV (st.)
61	TAP R61 AE	15,34	60
<b>L = 1,50 m</b>			
61	TAP R61 AE/150	15,34	60









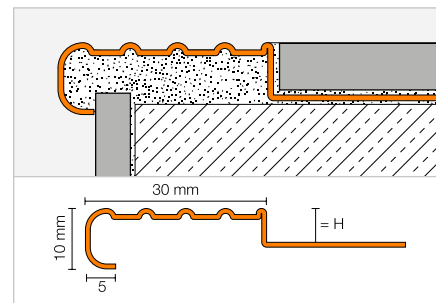
## Trapprofiel

## Schlüter®-TREP-E



Schlüter-TREP-E is een roestvaststalen trapprofiel met een speciale antislip profieling. (Productdatablad 3.3)

**i**  
TREP-E in V2A nu ook verkrijgbaar in de hoogtes 9 mm, 10 mm en 22 mm



## Schlüter®-TREP-E

Roestvast staal V2A, R 10 V 6

H (mm)	L = 2,50 m Art.-No.	€ / m	KV (st.)
2	TE 20	18,59	60
3	TE 30	18,81	60
5	TE 50	19,19	60
8	TE 80	19,75	60
★ 9	TE 90	19,95	60
★ 10	TE 100	20,15	60
11	TE 110	20,37	60
13	TE 130	20,86	60
16	TE 160	21,37	60
★ 22	TE 220	22,60	60
25	TE 250	23,18	60

## Schlüter®-TREP-E

Roestvast staal V2A, R 10 V 6

H (mm)	L = 1,50 m Art.-No.	€ / m	KV (st.)
2	TE 20/150	18,59	60
3	TE 30/150	18,81	60
5	TE 50/150	19,19	60
8	TE 80/150	19,75	60
★ 9	TE 90/150	19,95	60
★ 10	TE 100/150	20,15	60
11	TE 110/150	20,37	60
13	TE 130/150	20,86	60
16	TE 160/150	21,37	60
★ 22	TE 220/150	22,60	60
25	TE 250/150	23,18	60

## Schlüter®-TREP-E

Roestvast staal V2A, R 10 V 6

H (mm)	L = 1,00 m Art.-No.	€ / m	KV (st.)
2	TE 20/100	19,58	60
3	TE 30/100	19,75	60
5	TE 50/100	20,14	60
8	TE 80/100	20,73	60
★ 9	TE 90/100	20,95	60
★ 10	TE 100/100	21,15	60
11	TE 110/100	21,37	60
13	TE 130/100	21,82	60
16	TE 160/100	22,42	60
★ 22	TE 220/100	23,60	60
25	TE 250/100	24,17	60

## Schlüter®-TREP-E V4A

Roestvast staal V4A, R 10 V 6

H (mm)	L = 2,50 m Art.-No.	€ / m	KV (st.)
8	TE 80/V4A	21,74	60
11	TE 110/V4A	22,39	60
13	TE 130/V4A	22,96	60
16	TE 160/V4A	23,47	60

## Schlüter®-TREP-E V4A

Roestvast staal V4A, R 10 V 6

H (mm)	L = 1,50 m Art.-No.	€ / m	KV (st.)
8	TE 80/150/V4A	21,74	60
11	TE 110/150/V4A	22,39	60
13	TE 130/150/V4A	22,96	60
16	TE 160/150/V4A	23,47	60

## Schlüter®-TREP-E V4A

Roestvast staal V4A, R 10 V 6

H (mm)	L = 1,00 m Art.-No.	€ / m	KV (st.)
8	TE 80/100/V4A	22,82	60
11	TE 110/100/V4A	23,47	60
13	TE 130/100/V4A	23,90	60
16	TE 160/100/V4A	24,67	60

## Eindkapje

## Schlüter®-TREP-E V4A/EK

Eindkapje roestvast staal V4A

Art.-No.	€ / St.	P (st.)
E / TE	2,62	50



TREP-E V4A/EK

Ook geschikt voor V2A profielen.

**Opmerking:**

R 10 V 6 = Antislip classificatie volgens DIN 51 130

Voor 3 m lengte Art.-No. "/300" aanvullen (bijv. TE 80/300).





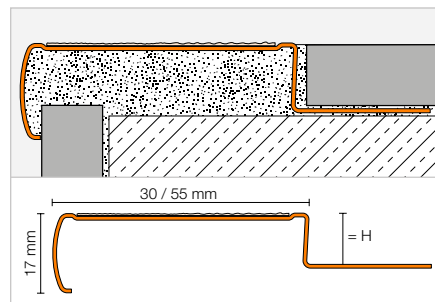
## Trapprofiel

### Schlüter®-TREP-G/-GL



Schlüter-TREP-G is een trapprofiel uit roestvast staal geborsteld met een ingelijmd, anti-slip loopvlak.

(Productdatablad 3.5)



#### Schlüter®-TREP-G-B

Roestvast staal V2A geborsteld, breed (55 mm), R 11

H (mm)	L = 2,50 m Art.-No.	€ / m	KV (st.)
9	GB EB 90 ...*	55,56	60
11	GB EB 110 ...*	57,94	60
13	GB EB 130 ...*	60,32	60
15	GB EB 150 ...*	63,09	60
L = 1,50 m			
9	GB EB 90 ...*/150	55,56	60
11	GB EB 110 ...*/150	57,94	60
13	GB EB 130 ...*/150	60,32	60
15	GB EB 150 ...*/150	63,09	60
L = 1,00 m			
9	GB EB 90 ...*/100	56,73	60
11	GB EB 110 ...*/100	59,14	60
13	GB EB 130 ...*/100	61,52	60
15	GB EB 150 ...*/100	65,86	60

#### Schlüter®-TREP-G-S

Roestvast staal V2A geborsteld, smal (30 mm), R 11

H (mm)	L = 2,50 m Art.-No.	€ / m	KV (st.)
9	GS EB 90 ...*	44,44	60
11	GS EB 110 ...*	46,82	60
13	GS EB 130 ...*	49,59	60
15	GS EB 150 ...*	51,58	60
L = 1,50 m			
9	GS EB 90 ...*/150	44,44	60
11	GS EB 110 ...*/150	46,82	60
13	GS EB 130 ...*/150	49,59	60
15	GS EB 150 ...*/150	51,58	60
L = 1,00 m			
9	GS EB 90 ...*/100	45,62	60
11	GS EB 110 ...*/100	48,03	60
13	GS EB 130 ...*/100	50,79	60
15	GS EB 150 ...*/100	52,77	60

#### Toebehoren voor TREP-G-B

##### Schlüter®-TREP-G-B/EK

Eindkapje, breed

Art.-No.	€ / St.	P (st.)
E/GB EB	3,33	50

##### Schlüter®-TREP-G-B/KB

Vervangstuk: zelfklevende band, breed, R 11

44 mm x 18,3 m Art.-No.	€ / m	P (rol)
GB KB 183 ...*	10,41	60

##### Schlüter®-TREP-GL-B/KB

Vervangstuk: zelfklevende band, breed, R 10

44 mm x 6 m Art.-No.	€ / m	P (rol)
GLB KB 60 ...*	11,76	60

#### Schlüter®-TREP-GL-B

Roestvast staal V2A geborsteld, breed (55 mm), R 10

H (mm)	L = 2,50 m Art.-No.	€ / m	KV (st.)
9	GLB EB 90 ...*	55,56	60
11	GLB EB 110 ...*	57,94	60
13	GLB EB 130 ...*	60,32	60
15	GLB EB 150 ...*	63,09	60
L = 1,50 m			
9	GLB EB 90 ...*/150	55,56	60
11	GLB EB 110 ...*/150	57,94	60
13	GLB EB 130 ...*/150	60,32	60
15	GLB EB 150 ...*/150	63,09	60
L = 1,00 m			
9	GLB EB 90 ...*/100	56,73	60
11	GLB EB 110 ...*/100	59,14	60
13	GLB EB 130 ...*/100	61,52	60
15	GLB EB 150 ...*/100	65,86	60

#### Schlüter®-TREP-GL-S

Roestvast staal V2A geborsteld, smal (30 mm), R 10

H (mm)	L = 2,50 m Art.-No.	€ / m	KV (st.)
9	GLS EB 90 ...*	44,44	60
11	GLS EB 110 ...*	46,82	60
13	GLS EB 130 ...*	49,59	60
15	GLS EB 150 ...*	51,58	60
L = 1,50 m			
9	GLS EB 90 ...*/150	44,44	60
11	GLS EB 110 ...*/150	46,82	60
13	GLS EB 130 ...*/150	49,59	60
15	GLS EB 150 ...*/150	51,58	60
L = 1,00 m			
9	GLS EB 90 ...*/100	45,62	60
11	GLS EB 110 ...*/100	48,03	60
13	GLS EB 130 ...*/100	50,79	60
15	GLS EB 150 ...*/100	52,77	60

#### Toebehoren voor TREP-G-S

##### Schlüter®-TREP-G-S/EK

Eindkapje, smal

Art.-No.	€ / St.	P (st.)
E/GS EB	2,94	50

##### Schlüter®-TREP-G-S/KB

Vervangstuk: zelfklevende band, smal, R 11

19 mm x 18,3 m Art.-No.	€ / m	P (rol)
GS KB 183 ...*	6,94	60

##### Schlüter®-TREP-GL-S/KB

Vervangstuk: zelfklevende band, smal, R 10

19 mm x 6 m Art.-No.	€ / m	P (rol)
GLS KB 60 ...*	8,18	60

#### Opmerking:

R 10 / R 11 = Antislip classificatie volgens DIN 51 130

Art.-No. kleur toevoegen (bijv. GLS KB 60 T)



\* Kleuren: GS - T



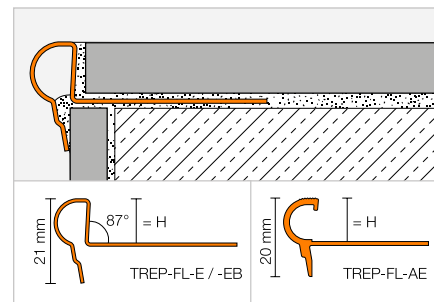
## Trapprofiel

## Schlüter®-TREP-FL



Schlüter-TREP-FL is een Florentin-vormig trapprofiel van aluminium met antislip profilering of van roestvast staal voor veilige en mooi gevormde trede randen. Het laat zich verwerken in trappen die met tegels of natuursteen worden bekleed.

(Productdatablad 3.4)



## Schlüter®-TREP-FL-AE

Alu. bruut mat geanodiseerd

H (mm)	L = 2,50 m Art.-No.	€ / m	KV (st.)
9	FL 90 AE	<b>16,94</b>	60
11	FL 110 AE	<b>16,94</b>	60
12,5	FL 125 AE	<b>16,94</b>	60
L = 1,50 m			
9	FL 90 AE/150	<b>16,94</b>	60
11	FL 110 AE/150	<b>16,94</b>	60
12,5	FL 125 AE/150	<b>16,94</b>	60
L = 1,00 m			
9	FL 90 AE/100	<b>17,75</b>	60
11	FL 110 AE/100	<b>17,75</b>	60
12,5	FL 125 AE/100	<b>17,75</b>	60

## Schlüter®-TREP-FL-E

Roestvast staal V2A

H (mm)	L = 2,50 m Art.-No.	€ / m	KV (st.)
9	FL 90 E	<b>22,82</b>	60
11	FL 110 E	<b>22,82</b>	60
12,5	FL 125 E	<b>22,82</b>	60
L = 1,50 m			
9	FL 90 E/150	<b>22,82</b>	60
11	FL 110 E/150	<b>22,82</b>	60
12,5	FL 125 E/150	<b>22,82</b>	60
L = 1,00 m			
9	FL 90 E/100	<b>23,64</b>	60
11	FL 110 E/100	<b>23,64</b>	60
12,5	FL 125 E/100	<b>23,64</b>	60

## Schlüter®-TREP-FL-EB

Roestvast staal V2A geborsteld

H (mm)	L = 2,50 m Art.-No.	€ / m	KV (st.)
9	FL 90 EB	<b>28,53</b>	60
11	FL 110 EB	<b>28,53</b>	60
12,5	FL 125 EB	<b>28,53</b>	60
L = 1,50 m			
9	FL 90 EB/150	<b>28,53</b>	60
11	FL 110 EB/150	<b>28,53</b>	60
12,5	FL 125 EB/150	<b>28,53</b>	60
L = 1,00 m			
9	FL 90 EB/100	<b>29,48</b>	60
11	FL 110 EB/100	<b>29,48</b>	60
12,5	FL 125 EB/100	<b>29,48</b>	60

Voor 3 m lengte Art.-No. "/300" aanvullen (bijv. FL 90 AE/300).

## Eindkapje

## Schlüter®-TREP-FL-AE/EK

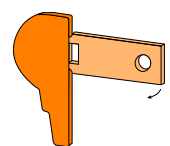
Eindkapje alu. bruut mat geanodiseerd

Art.-No.	€ / St.	P (st.)
E / FL AE	<b>2,55</b>	50

## Schlüter®-TREP-FL-EB/EK\*

Eindkapje roestvast staal V2A geborsteld

Art.-No.	€ / St.	P (st.)
E / FL EB	<b>2,62</b>	50



\* Voor Schlüter-TREP-FL-E en -EB geschikt.

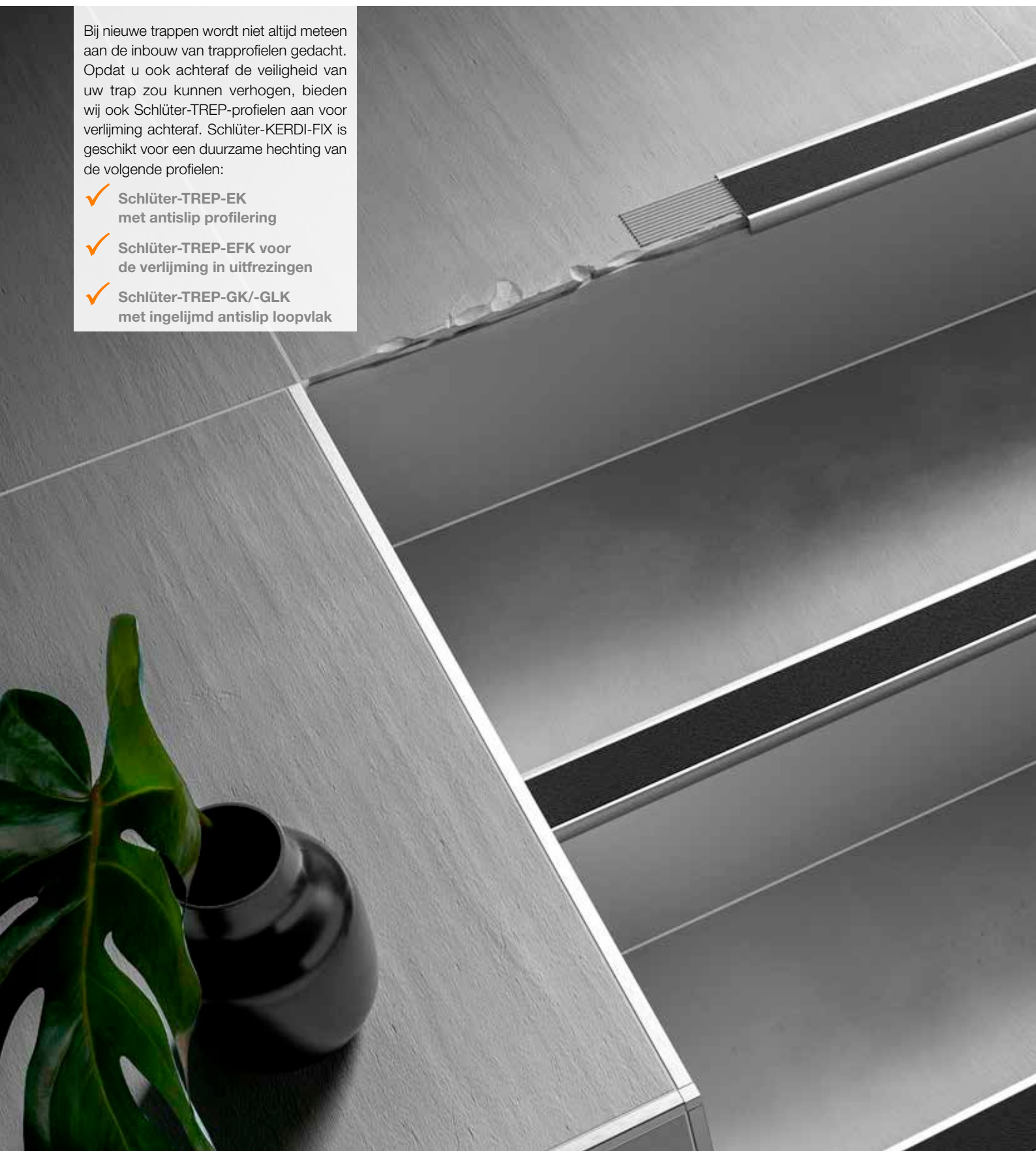


# Schlüter®-TREP

Veiligheid kan ook achteraf worden gemonteerd

Bij nieuwe trappen wordt niet altijd meteen aan de inbouw van trapprofielen gedacht. Opdat u ook achteraf de veiligheid van uw trap zou kunnen verhogen, bieden wij ook Schlüter-TREP-profielen aan voor verlijming achteraf. Schlüter-KERDI-FIX is geschikt voor een duurzame hechting van de volgende profielen:

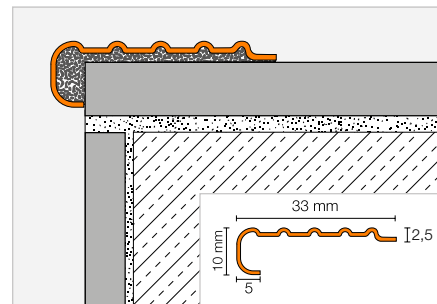
- ✓ **Schlüter-TREP-EK met antislip profilering**
- ✓ **Schlüter-TREP-EFK voor de verlijming in uitfrezingen**
- ✓ **Schlüter-TREP-GK/-GLK met ingelijmd antislip loopvlak**



## Trapprofiel

**Schlüter®-TREP-EK**


Schlüter-TREP-EK is een trapprofiel uit roestvast staal met een speciale antislip profilering voor veilige en mooi gevormde trederanden. Het kan achteraf worden gelijmd op met tegels of natuursteen bezette treden. (Productdatablad 3.3)


**Schlüter®-TREP-EK**

Roestvast staal V2A, R 10 V 6

L = 2,50 m Art.-No.	€ / m	KV (st.)
TEK	17,78	60

**Schlüter®-TREP-EK**

Roestvast staal V2A, R 10 V 6

L = 1,50 m Art.-No.	€ / m	KV (st.)
TEK/150	17,78	60

**Schlüter®-TREP-EK**

Roestvast staal V2A, R 10 V 6

L = 1,00 m Art.-No.	€ / m	KV (st.)
TEK/100	18,72	60

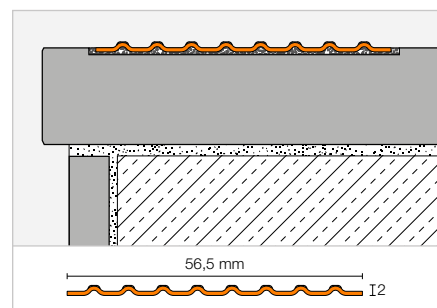
**Opmerking:**

R 10 V 6 = Antislip classificatie volgens DIN 51 130

## Trapprofiel

**Schlüter®-TREP-EFK**


Schlüter-TREP-EFK is een trapprofiel uit roestvast staal met een speciale antislip profilering voor veilige en mooi gevormde treden. Het product kan met montagelijm in de daarvoor voorziene uitfrezingen of achteraf op treden worden aangebracht. (Productdatablad 3.3)


**Schlüter®-TREP-EFK**

Roestvast staal V4A, R 10 V 6

L = 2,50 m Art.-No.	€ / m	KV (st.)
TEF 56K/V4A	24,72	60

**Opmerking:**

R 10 V 6 = Antislip classificatie volgens DIN 51 130



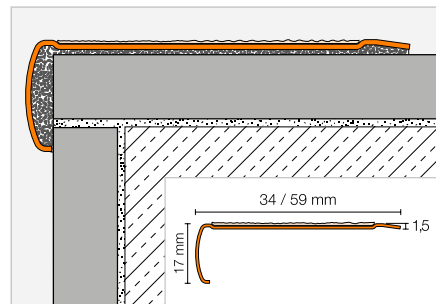


## Trapprofiel

### Schlüter®-TREP-GK/-GLK



Schlüter-TREP-GK is een trapprofiel uit roestvast staal geborsteld met een ingelijmd, anti-slip loopvlak. Het kan achteraf worden gelijmd op met tegels of natuursteen bezette treden. (Productdatablad 3.5)



#### Schlüter®-TREP-GK-B

Roestvast staal V2A geborsteld, breed (59 mm), R 11

L = 2,50 m Art.-No.	€ / m	KV (st.)
GB EBK ...*	47,62	60
L = 1,50 m		
GB EBK ...*/150	47,62	60
L = 1,00 m		
GB EBK ...*/100	48,81	60

#### Schlüter®-TREP-GK-S

Roestvast staal V2A geborsteld, smal (34 mm), R 11

L = 2,50 m Art.-No.	€ / m	KV (st.)
GS EBK ...*	38,89	60
L = 1,50 m		
GS EBK ...*/150	38,89	60
L = 1,00 m		
GS EBK ...*/100	40,07	60

#### Toebehoren voor TREP-GK-B

##### Schlüter®-TREP-G-B/KB

Vervangstuk: zelfklevende band, breed, R 11

44 mm x 18,3 m Art.-No.	€ / m	P (rol)
GB KB 183 ...*	10,41	60

##### Schlüter®-TREP-GL-B/KB

Vervangstuk: zelfklevende band, breed, R 10

44 mm x 6 m Art.-No.	€ / m	P (rol)
GLB KB 60 ...*	11,76	60

#### Toebehoren voor TREP-GK-S

##### Schlüter®-TREP-G-S/KB

Vervangstuk: zelfklevende band, smal, R 11

19 mm x 18,3 m Art.-No.	€ / m	P (rol)
GS KB 183 ...*	6,94	60

##### Schlüter®-TREP-GL-S/KB

Vervangstuk: zelfklevende band, smal, R 10

19 mm x 6 m Art.-No.	€ / m	P (rol)
GLS KB 60 ...*	8,18	60

#### Schlüter®-TREP-GLK-B

Roestvast staal V2A geborsteld, breed (59 mm), R 10

L = 2,50 m Art.-No.	€ / m	KV (st.)
GLB EBK ...*	47,62	60
L = 1,50 m		
GLB EBK ...*/150	47,62	60
L = 1,00 m		
GLB EBK ...*/100	48,81	60

#### Schlüter®-TREP-GLK-S

Roestvast staal V2A geborsteld, smal (34 mm), R 10

L = 2,50 m Art.-No.	€ / m	KV (st.)
GLS EBK ...*	38,89	60
L = 1,50 m		
GLS EBK ...*/150	38,89	60
L = 1,00 m		
GLS EBK ...*/100	40,07	60

#### Opmerking:

R 10 / R 11 = Antislip classificatie volgens DIN 51 130

#### Art.-No. kleur toevoegen (bijv. GLS KB 60 T)



\* Kleuren: GS - T

Een overzicht van de oppervlakken en kleuren vindt u vanaf pagina 340.

## Montagelijm

## Schlüter®-KERDI-FIX



Schlüter-KERDI-FIX is een elastische montagelijm op basis van een MS-polymeer. Het is geschikt om profielen en Schlüter-KERDI-BOARD te verlijmen, alsook de aansluitingen van de Schlüter-KERDI-afdichtingsbanden af te dichten.

(Productdatablad 8.3)



## Schlüter®-KERDI-FIX

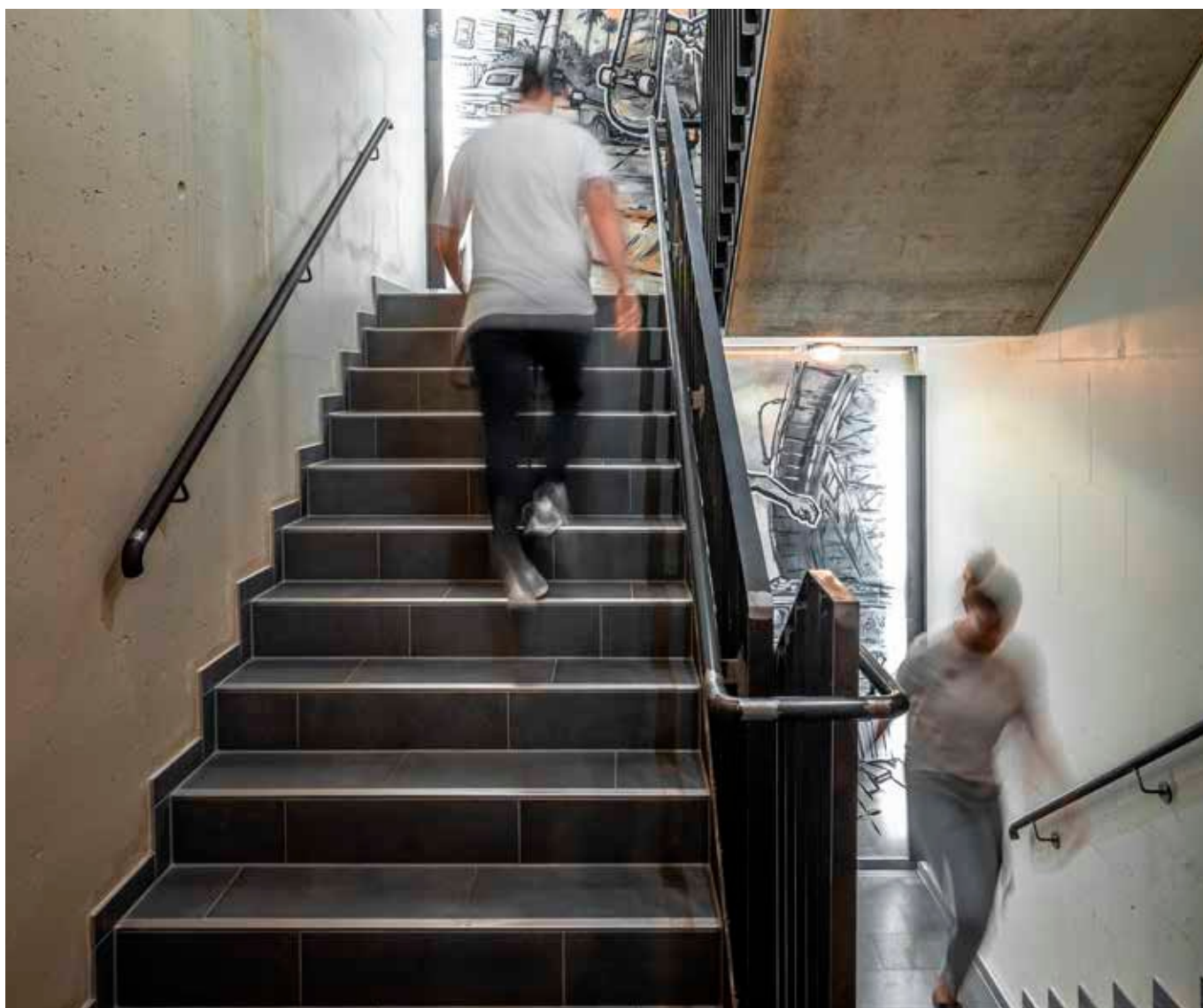
MS-polymeer

Inhoud (ml)	Art.-No.	€ / St.	P (st.)
290	KERDIFIX / BW	23,85	12
290	KERDIFIX / G	23,85	12

## Kleuren:

BW = zuiver wit

G = grijs





# Schlüter-profielen

## Bewegings-, rand- en aansluitvoegen

Met de profielen van de Schlüter-DILEX-reeks stellen we onderhoudsvrije en functionele oplossingen voor alle relevante bewegingsvoegen in tegelbekledingen voor. Het leveringsprogramma omvat profielvarianten voor constructievoegen, veldbegrenzingsvoegen, rand- en aansluitvoegen. Alle profielen worden tijdens het plaatsen van de tegels ingewerkt. In functie van de latere mechanische of chemische belasting van de bekleding zijn onze DILEX-profielen verkrijgbaar in diverse materiaaluitvoeringen en zorgen zelfs voor vrijwel onzichtbare bewegingsvoegen.





## Bewegingsvoegprofielen

Schlüter®-DILEX-EDP	124
Schlüter®-DILEX-KS	125
Schlüter®-DILEX-EKSB	126
Schlüter®-DILEX-AKWS	126
Schlüter®-DILEX-BWB	127
Schlüter®-DILEX-BWS	127
Schlüter®-DILEX-F	129
Schlüter®-DILEX-EMP	152

## Ontspannings- en sierprofielen

Schlüter®-DILEX-EZ 6 + 9	130
--------------------------	-----

## Bouwscheidingsvoegprofielen

Schlüter®-DILEX-BT	130
Schlüter®-DILEX-BTO	131
Schlüter®-DILEX-BTS	131
Schlüter®-DILEX-KSBT	132–133
Schlüter®-DILEX-BT/MT	134
Schlüter®-DILEX-BT/OT	134
Schlüter®-RENO-VT	134
Schlüter®-DILEX-BT/MTS	134

## Aansluitprofielen

Schlüter®-DILEX-KSA	136
Schlüter®-DILEX-BWA	137
Schlüter®-DILEX-AS	137

## Hoekvoegprofielen

Schlüter®-DILEX-EF	138
Schlüter®-DILEX-EKE	138

## Randvoegprofielen

Schlüter®-DILEX-RF	139
Schlüter®-DILEX-EK	140

## Holplintprofielen

Schlüter®-DILEX-HK	141
Schlüter®-DILEX-HKW	142
Schlüter®-ECK-KHK	143
Schlüter®-DILEX-HKS	144
Schlüter®-DILEX-EHK	145
Schlüter®-DILEX-HKU	146–147
Schlüter®-DILEX-AHK-TS	148
Schlüter®-DILEX-AHK	149–150
Schlüter®-DILEX-AHKA	150–151

## Uitzettingsvoegprofielen

Schlüter®-DILEX-MP	152
Schlüter®-DILEX-MOP	153
Schlüter®-DILEX-DFP	153





# Schlüter<sup>®</sup>-DILEX

## Profielen voor bewegingsvoegen

Tegelbekledingen moeten volgens de regels van de techniek verdeeld worden in velden. Met Schlüter-DILEX-profielen is dit mogelijk:

- ✓ Duurzaam onderhoudsvrij
- ✓ Direct bij het leggen van de tegels
- ✓ Bestand tegen weers- en temperatuursinvloeden
- ✓ Voor binnen- en buitentoepassingen



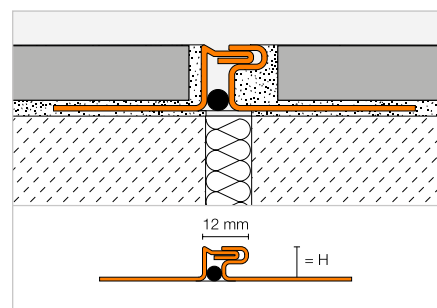
### Bewegingsvoegprofiel

#### Schlüter<sup>®</sup>-DILEX-EDP



Schlüter-DILEX-EDP is een roestvaststalen bewegingsvoegprofiel dat vanwege een groef-mesverbinding horizontale bewegingen kan opvangen.

(Productdatablad 4.16)



#### Schlüter<sup>®</sup>-DILEX-EDP

Roestvast staal V2A

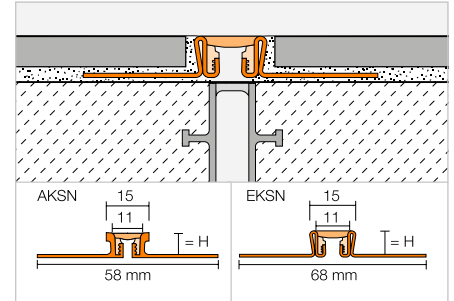
H (mm)	L = 2,50 m Art.-No.	€ / m	KV (st.)
10	EDP 100	<b>40,80</b>	40
11	EDP 110	<b>41,21</b>	40
12,5	EDP 125	<b>41,89</b>	40
16	EDP 160	<b>43,43</b>	40
21	EDP 210	<b>45,54</b>	40

## Bewegingsvoegprofiel

## Schlüter®-DILEX-KS



Schlüter-DILEX-KS is een bewegingsvoegprofiel met een randbescherming. Het is opgebouwd uit zijdelingse bevestigingsvlakken in aluminium of roestvast staal, die met een verwisselbare bewegingszone van zachte kunststof zijn verbonden. (Productdatablad 4.8)



## Schlüter®-DILEX-AKSN

Aluminium

H (mm)	L = 2,50 m Art.-No.	€ / m	KV (st.)
8	AKSN 80 ...*	21,23	40
10	AKSN 100 ...*	21,91	40
11	AKSN 110 ...*	22,27	40
12,5	AKSN 125 ...*	22,65	40
14	AKSN 140 ...*	23,68	40
16	AKSN 160 ...*	25,39	40

## Schlüter®-DILEX-EKSN

Roestvast staal V2A

H (mm)	L = 2,50 m Art.-No.	€ / m	KV (st.)
8	EKSN 80 ...*	42,96	40
10	EKSN 100 ...*	43,43	40
11	EKSN 110 ...*	43,87	40
12,5	EKSN 125 ...*	44,83	40
14	EKSN 140 ...*	45,60	40
16	EKSN 160 ...*	46,87	40
18,5	EKSN 185 ...*	48,04	40
21	EKSN 210 ...*	49,29	40
25	EKSN 250 ...*	51,65	40
30	EKSN 300 ...*	53,93	40

## Schlüter®-DILEX-EKSN V4A

Roestvast staal V4A

H (mm)	L = 2,50 m Art.-No.	€ / m	KV (st.)
8	EKSN 80 ...* / V4A	47,23	40
10	EKSN 100 ...* / V4A	47,82	40
11	EKSN 110 ...* / V4A	48,40	40
12,5	EKSN 125 ...* / V4A	49,29	40
14	EKSN 140 ...* / V4A	50,16	40
16	EKSN 160 ...* / V4A	51,54	40

## Toebehoren

## Schlüter®-DILEX-KS/EL

Vervangstuk: inlage

L = 2,50 m Art.-No.	€ / m	KV (st.)
KSE / ...*	4,96	40



KS/EL

## Schlüter®-DILEX-KS/K

Kruisvormige inlage (150 x 150 mm)

Art.-No.	€ / St.	P (st.)
KS EK / ...*	22,31	50

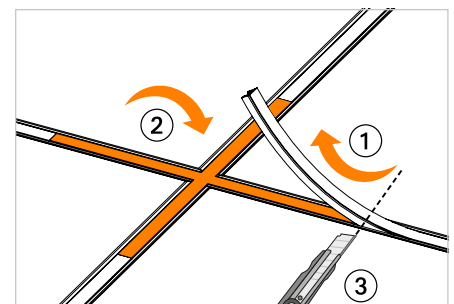
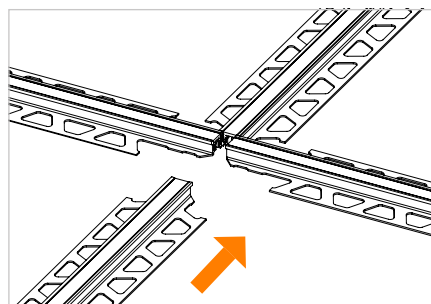
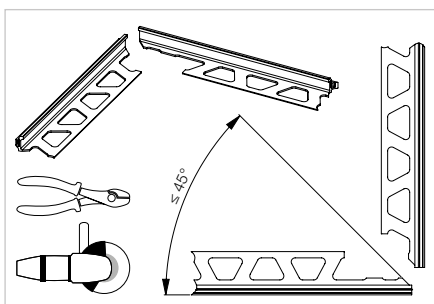


## Art.-No. kleur toevoegen (bijv. KSE / PG)



\* Kleuren: C - DA - FG - G - GS - HB - PG - SG

Een overzicht van de oppervlakken en kleuren vindt u vanaf pagina 340.





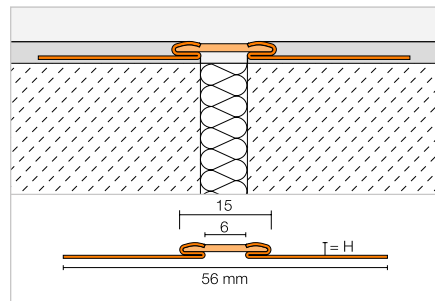
## Bewegingsvoegprofiel

### Schlüter®-DILEX-EKSB



Schlüter-DILEX-EKSB is een bewegingsvoegprofiel met randbescherming voor coatings en andere dunlagige vloerbekledingen. Het bestaat uit zijdelingse roestvaststalen bevestigingsvlakken die met elkaar zijn verbonden door middel van een niet-verwisselbare bewegingszone van zachte kunststof.

(Productdatablad 4.8)



#### Schlüter®-DILEX-EKSB

Roestvast staal V2A

H (mm)	L = 2,50 m Art.-No.	€ / m	KV (st.)
2,5	EKSB 25 ...*	<b>32,90</b>	40
4,5	EKSB 45 ...*	<b>34,42</b>	40
6	EKSB 60 ...*	<b>35,83</b>	40

Art.-No. kleur toevoegen (bijv. EKSB 25 PG)



\* Kleuren: G - GS - HB - PG

Een overzicht van de oppervlakken en kleuren vindt u vanaf pagina 340.

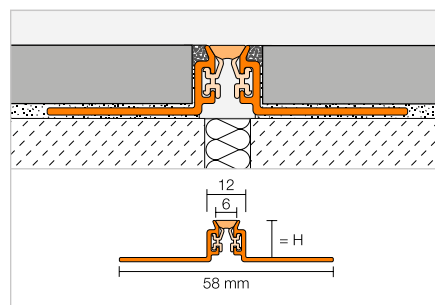
## Bewegingsvoegprofiel

### Schlüter®-DILEX-AKWS



Schlüter-DILEX-AKWS is een bewegingsvoegprofiel met zijdelingse bevestigingsvlakken in aluminium die met een bewegingszone van zachte kunststof verbonden zijn.

(Productdatablad 4.18)



#### Schlüter®-DILEX-AKWS

Aluminium

H (mm)	L = 2,50 m Art.-No.	€ / m	KV (st.)
10	AKWS 100 ...*	<b>20,80</b>	60
11	AKWS 110 ...*	<b>21,00</b>	60
12,5	AKWS 125 ...*	<b>21,42</b>	60
14	AKWS 140 ...*	<b>21,80</b>	60
16	AKWS 160 ...*	<b>22,06</b>	60
21	AKWS 210 ...*	<b>22,85</b>	60

Art.-No. kleur toevoegen (bijv. AKWS 100 PG)



\* Kleuren: G - GS - HB - PG

Een overzicht van de oppervlakken en kleuren vindt u vanaf pagina 340.

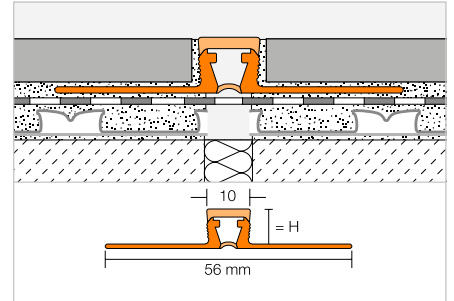
## Bewegingsvoegprofiel

## Schlüter®-DILEX-BWB



Schlüter-DILEX-BWB is een bewegingsvoegprofiel met zijken van hard-PVC-regeneeraat. De bovenste bewegingszone bestaat uit zachte kunststof en vormt het 10 mm brede, zichtbare vlak.

(Productdatablad 4.6)



## Schlüter®-DILEX-BWB

PVC / CPE

H (mm)	L = 2,50 m Art.-No.	€ / m	KV (st.)
6	BWB 60 ...*	7,42	60
8	BWB 80 ...**	7,55	60
10	BWB 100 ...**	7,72	60
12,5	BWB 125 ...**	8,02	60
15	BWB 150 ...***	9,20	60
20	BWB 200 ...***	9,88	60

## Art.-No. kleur toevoegen (bijv. BWB 60 G)



\* Kleuren: BW - C - DA - FG - G - GS - HB - PG - SG

\*\* Kleuren: BW - C - DA - FG - G - GS - HB - PG - SG - SP

\*\*\* Kleuren: G

Een overzicht van de oppervlakken en kleuren vindt u vanaf pagina 340.

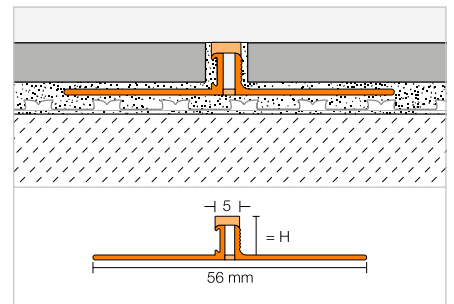
## Bewegingsvoegprofiel

## Schlüter®-DILEX-BWS



Schlüter-DILEX-BWS is een bewegingsvoegprofiel met zijken van hard-PVC-regeneeraat. De bovenste bewegingszone bestaat uit zachte kunststof en vormt het 5 mm brede, zichtbare vlak.

(Productdatablad 4.7)



## Schlüter®-DILEX-BWS

PVC / CPE

H (mm)	L = 2,50 m Art.-No.	€ / m	KV (st.)
4,5	BWS 45 ...*	6,84	120
6	BWS 60 ...**	6,84	120
8	BWS 80 ...*	6,84	120
9	BWS 90 ...*	7,25	120
10	BWS 100 ...*	7,25	120
11	BWS 110 ...*	7,25	120
12,5	BWS 125 ...*	7,25	120

## Art.-No. kleur toevoegen (bijv. BWS 45 HB)



\* Kleuren: BW - C - DA - FG - G - GS - HB - PG - SG - SP

\*\* Kleuren: BW - C - DA - FG - G - GS - HB - PG - SG

Een overzicht van de oppervlakken en kleuren vindt u vanaf pagina 340.





# Schlüter®-DILEX-F

## Fijne bewegingsvoegen, met inlage op rol

Schlüter-DILEX-F is een vrijwel onzichtbare bewegingsvoeg voor projecten die door personenverkeer worden belast. Ondanks het zeer smalle profiel compenseert deze de gebruikelijke bewegingen van tegelbekledingen. Het systeem vormt een bewegingsvoeg die visueel nauwelijks te onderscheiden is van een cementaire voeg. Dat betekent dat technisch noodzakelijke voegen vanaf nu onopvallend kunnen worden aangebracht.

DILEX-F bestaat uit het profiel Schlüter-DILEX-FCS en de inlage Schlüter-DILEX-FIS die op rol verkrijgbaar is in tien verschillende kleuren. Naast de discrete look biedt het systeem nog meer voordelen: door het vuilafstotende oppervlak van de inlage kan de voeg zeer gemakkelijk worden gereinigd, de geïntegreerde nylondraad voorkomt toevallige lengteveranderingen van de inlage en met de meegeleverde montagehulp kan de inlage gemakkelijk en snel in het profiel worden aangebracht. Zo ontstaan zeer smalle bewegingsvoegen zonder zichtbare onderbrekingen.



- ✓ **Eerste bewegingsvoegprofiel zonder cementaire voegen**
- ✓ **Gelijkmatig en smal voegbeeld**
- ✓ **Doorlopende inlage (materiaal op rol)**
- ✓ **Platina uitgeharte siliconen inlage met vuilafstotende eigenschap**
- ✓ **Geen lengteverandering van de inlage dankzij de rekbescherming**
- ✓ **Voegprofiel met beschermstrip**
- ✓ **Toepassingen:**
  - woningen
  - kantoren
  - autoshowrooms
  - verkoopruimtes (zonder belasting van magazijnvoertuig of winkelwagen)

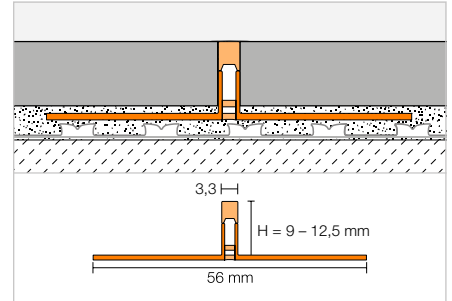
## Bewegingsvoegprofiel

## Schlüter®-DILEX-FCS



Schlüter-DILEX-FCS is een profiel dat bewegingen opvangt met zijden van hard-PVC-regeneraat en vormt een ca. 3,5 mm smalle bewegingsvoeg zonder randbescherming en zonder cementaire voeg. De geïntegreerde beschermstrip wordt na het plaatsen van de tegels verwijderd om de Schlüter-DILEX-FIS inlage aan te brengen.

(Productdatablad 4.23)

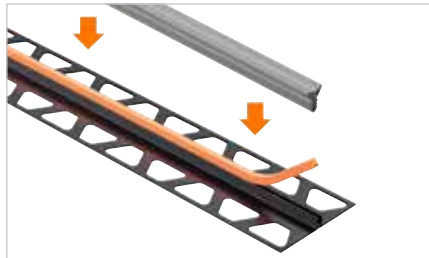


## Schlüter®-DILEX-FCS



Opnameprofiel PVC/CPE

H (mm)	L = 2,50 m Art.-No.	€ / m	KV (st.)
9	FCS 90	4,75	120
10	FCS 100	4,75	120
11	FCS 110	4,75	120
12,5	FCS 125	4,75	120



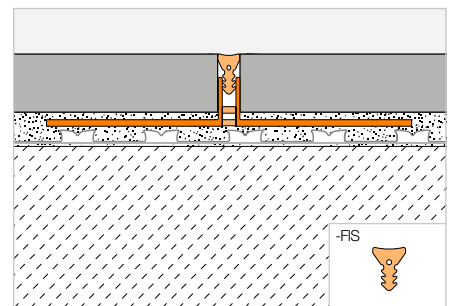
## Inlage

## Schlüter®-DILEX-FIS



Schlüter-DILEX-FIS is een inlage van platina uitgeharde silicone, op rol, voor smalle bewegingsvoegen met een zichtbaar vlak van ca. 3,5 mm. De inlage is in onderstaande gangbare voegkleuren verkrijgbaar. De inlage kan met de meegeleverde montagehulp gelijkmatig en snel in het geplaatste opnameprofiel Schlüter-DILEX-FCS worden gedrukt. Een toevallige lengteverandering wordt voorkomen door de geïntegreerde rekbescherming.

(Productdatablad 4.23)



## Schlüter®-DILEX-FIS



Inlage

L (m)	Art.-No.	€ / m	P (rol)
30	FIS 300 ...*	7,50	10

**Opmerking:**

Het montagehulpmiddel is bij de levering inbegrepen.

## Art.-No. kleur toevoegen (bijv. FIS 300 C)



\* Kleuren: BW - C - DA - FG - G - GS - HB - PG - SG - SP

Een overzicht van de oppervlakken en kleuren vindt u vanaf pagina 340.

**Opmerking:**

De handleiding voor Schlüter-DILEX-F vindt u bij het downloadgedeelte.

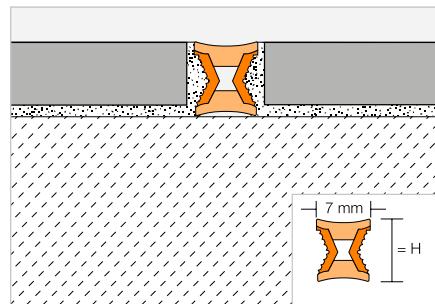


## Ontspannings- en sierprofiel

### Schlüter®-DILEX-EZ 6 + 9



Schlüter-DILEX-EZ 6 en 9 zijn speciale ontspannings- en sierprofielen voor de decoratieve vormgeving van voegen met een extra spanningsafbouwende functie in bekledingen van tegels en natuursteen welke verlijmd zijn. (Productdatablad 4.1)



#### Schlüter®-DILEX-EZ 6

PVC

H (mm)	L = 2,50 m Art.-No.	€ / m	KV (st.)
6	EZ C/CG 6	5,15	120
6	EZ M/G 6	5,15	120

#### Schlüter®-DILEX-EZ 9

PVC

H (mm)	L = 2,50 m Art.-No.	€ / m	KV (st.)
9	EZ C/CG 9	5,65	120
9	EZ M/G 9	5,65	120

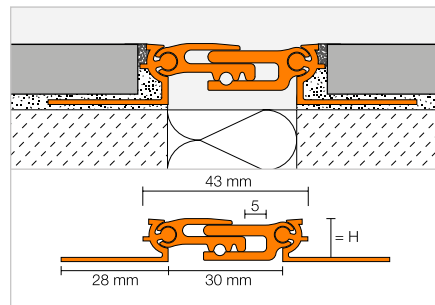
C/CG = Chromm inlage / geel  
M/G = Messing inlage / grijs

## Bouwscheidingsvoegprofiel

### Schlüter®-DILEX-BT



Schlüter-DILEX-BT is een bouwscheidingsvoegprofiel uit aluminium, met een zijdelingse scharnierverbinding van het in elkaar verschuifbare middenstuk. Hierdoor is een bewegingsopvang in drie richtingen mogelijk. (Productdatablad 4.20)



#### Schlüter®-DILEX-BT-A

Aluminium

H (mm)	L = 2,50 m Art.-No.	€ / m	KV (st.)
8	ABT 80	41,14	40
10	ABT 100	41,72	40
12,5	ABT 125	42,72	40
15	ABT 150	43,15	40
17,5	ABT 175	43,78	40
20	ABT 200	45,13	40

#### Schlüter®-DILEX-BT-AE

Alu. bruto mat geanodiseerd

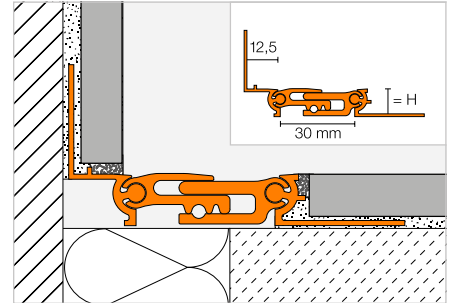
H (mm)	L = 2,50 m Art.-No.	€ / m	KV (st.)
8	AEBT 80	57,87	40
10	AEBT 100	58,84	40
12,5	AEBT 125	59,96	40
15	AEBT 150	60,93	40
17,5	AEBT 175	62,15	40
20	AEBT 200	65,28	40

## Bouwscheidingsvoegprofiel

## Schlüter®-DILEX-BTO



Schlüter-DILEX-BTO is een bouwscheidingsvoegprofiel uit aluminium voor vloer-/wandovergangen. Door de zijdelingse scharnierverbinding van het in elkaar verschuifbare middenstuk is een driedimensionale bewegingsopvang mogelijk. (Productdatablad 4.20)



## Schlüter®-DILEX-BTO-A

Aluminium

H (mm)	L = 2,50 m Art.-No.	€ / m	KV (st.)
8	ABT 80/0 125	42,19	40
10	ABT 100/0 125	42,50	40
12,5	ABT 125/0 125	42,93	40
15	ABT 150/0 125	43,15	40
17,5	ABT 175/0 125	43,47	40
20	ABT 200/0 125	44,19	40

## Schlüter®-DILEX-BTO-AE

Alu. bruto mat geanodiseerd

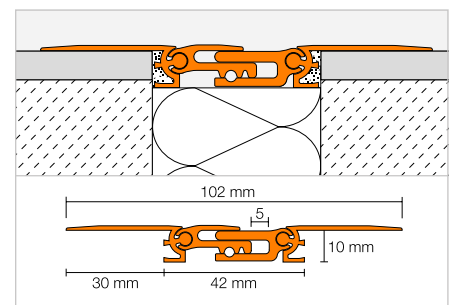
H (mm)	L = 2,50 m Art.-No.	€ / m	KV (st.)
8	AEBT 80/0 125	59,73	40
10	AEBT 100/0 125	60,16	40
12,5	AEBT 125/0 125	60,75	40
15	AEBT 150/0 125	61,21	40
17,5	AEBT 175/0 125	61,87	40
20	AEBT 200/0 125	63,43	40

## Bouwscheidingsvoegprofiel

## Schlüter®-DILEX-BTS



Schlüter-DILEX-BTS is een bouwscheidingsvoegprofiel uit aluminium dat achteraf wordt ingebouwd in afgewerkte bekledingsoppervlakken. Door de zijdelingse scharnierverbinding van het in elkaar verschuifbare middenstuk is een driedimensionale bewegingsopvang mogelijk. (Productdatablad 4.20)



## Schlüter®-DILEX-BTS-A

Aluminium

H (mm)	L = 2,50 m Art.-No.	€ / m	KV (st.)
10	ABTS 100	42,72	60

## Schlüter®-DILEX-BTS-AE

Alu. bruto mat geanodiseerd

H (mm)	L = 2,50 m Art.-No.	€ / m	KV (st.)
10	AEBTS 100	59,96	60



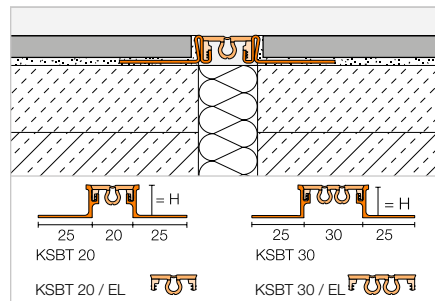


## Bouwscheidingsvoegprofiel

### Schlüter®-DILEX-KSBT



Schlüter-DILEX-KSBT is een bouwscheidingsvoegprofiel met randbescherming, bestaand uit bevestigingsvlakken in aluminium of roestvast staal, welke met een 20 of 30 mm brede bewegingszone van zachte kunststof verbonden zijn.  
(Productdatablad 4.19)



#### Schlüter®-DILEX-AKSBT 20

Aluminium

H (mm)	L = 2,50 m Art.-No.	€ / m	KV (st.)
8	AKS 80 BT 20 ...*	23,44	40
10	AKS 100 BT 20 ...*	24,10	40
11	AKS 110 BT 20 ...*	24,41	40
12,5	AKS 125 BT 20 ...*	24,86	40
14	AKS 140 BT 20 ...*	25,87	40

#### Schlüter®-DILEX-EKSBT 20

Roestvast staal V2A

H (mm)	L = 2,50 m Art.-No.	€ / m	KV (st.)
8	KS V2A 80 BT 20 ...*	45,19	40
10	KS V2A 100 BT 20 ...*	45,68	40
11	KS V2A 110 BT 20 ...*	46,61	40
12,5	KS V2A 125 BT 20 ...*	47,03	40
14	KS V2A 140 BT 20 ...*	47,87	40
16	KS V2A 160 BT 20 ...*	49,13	40
18,5	KS V2A 185 BT 20 ...*	50,27	40
21	KS V2A 210 BT 20 ...*	51,56	40
25	KS V2A 250 BT 20 ...*	53,93	40
30	KS V2A 300 BT 20 ...*	56,14	40

#### Schlüter®-DILEX-EKSBT 20 V4A

Roestvast staal V4A

H (mm)	L = 2,50 m Art.-No.	€ / m	KV (st.)
8	KS V4A 80 BT 20 ...*	49,73	40
10	KS V4A 100 BT 20 ...*	50,27	40
11	KS V4A 110 BT 20 ...*	51,01	40
12,5	KS V4A 125 BT 20 ...*	51,75	40
14	KS V4A 140 BT 20 ...*	52,64	40
16	KS V4A 160 BT 20 ...*	54,03	40

#### Schlüter®-DILEX-AKSBT 30

Aluminium

H (mm)	L = 2,50 m Art.-No.	€ / m	KV (st.)
8	AKS 80 BT 30 ...*	25,66	40
10	AKS 100 BT 30 ...*	26,29	40
11	AKS 110 BT 30 ...*	26,80	40
12,5	AKS 125 BT 30 ...*	27,04	40
14	AKS 140 BT 30 ...*	28,11	40

#### Schlüter®-DILEX-EKSBT 30

Roestvast staal V2A

H (mm)	L = 2,50 m Art.-No.	€ / m	KV (st.)
8	KS V2A 80 BT 30 ...*	47,50	40
10	KS V2A 100 BT 30 ...*	47,93	40
11	KS V2A 110 BT 30 ...*	48,79	40
12,5	KS V2A 125 BT 30 ...*	49,29	40
14	KS V2A 140 BT 30 ...*	50,10	40
16	KS V2A 160 BT 30 ...*	51,38	40
18,5	KS V2A 185 BT 30 ...*	52,54	40
21	KS V2A 210 BT 30 ...*	53,83	40
25	KS V2A 250 BT 30 ...*	56,14	40
30	KS V2A 300 BT 30 ...*	58,41	40

#### Schlüter®-DILEX-EKSBT 30 V4A

Roestvast staal V4A

H (mm)	L = 2,50 m Art.-No.	€ / m	KV (st.)
8	KS V4A 80 BT 30 ...*	52,21	40
10	KS V4A 100 BT 30 ...*	52,73	40
11	KS V4A 110 BT 30 ...*	53,46	40
12,5	KS V4A 125 BT 30 ...*	54,24	40
14	KS V4A 140 BT 30 ...*	55,12	40
16	KS V4A 160 BT 30 ...*	56,52	40

Art.-No. kleur toevoegen (bijv. KS V4A 80 BT 30 GS)



\* Kleuren: C - DA - FG - G - GS - HB - SG

Een overzicht van de oppervlakken en kleuren vindt u vanaf pagina 340.

## Toebehoren voor KSBT 20

### Schlüter®-DILEX-KSBT 20/K

Kruisvormige inlage (200 x 200 mm)

Art.-No.	€ / St.	P (st.)
KSG 20 K / ...*	23,45	50



### Schlüter®-DILEX-KSBT 20/EL

Vervangstuk: inlage

L = 2,50 m Art.-No.	€ / m	KV (st.)
KSG 20 ...*	8,12	40

## Toebehoren voor KSBT 30

### Schlüter®-DILEX-KSBT 30/K

Kruisvormige inlage (200 x 200 mm)

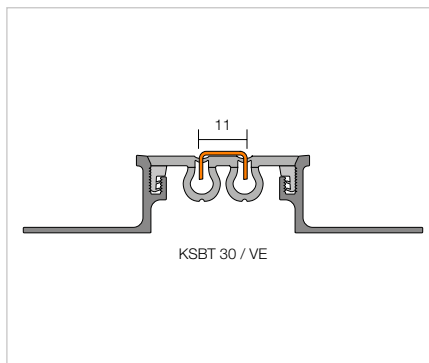
Art.-No.	€ / St.	P (st.)
KSG 30 K / ...*	24,09	50



### Schlüter®-DILEX-KSBT 30/VE

Inlegstuk roestvast staal V2A geborsteld

L = 2,50 m Art.-No.	€ / m	KV (st.)
KSBT VE	19,34	40



### Schlüter®-DILEX-KSBT 30/EL

Vervangstuk: inlage

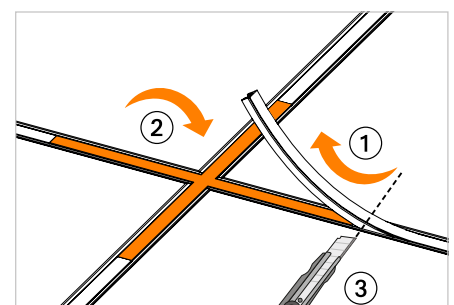
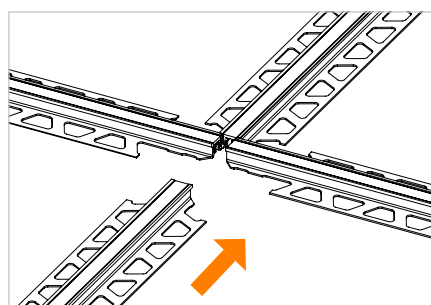
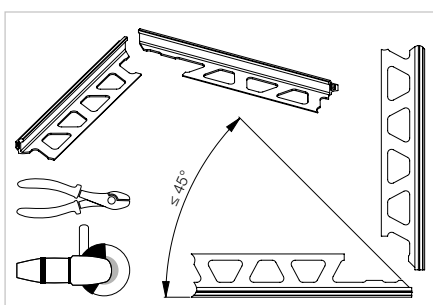
L = 2,50 m Art.-No.	€ / m	KV (st.)
KSG 30 ...*	9,52	40

### Art.-No. kleur toevoegen (bijv. KSG 30 GS)



\* Kleuren: C - DA - FG - G - GS - HB - SG

Een overzicht van de oppervlakken en kleuren vindt u vanaf pagina 340.





## Bouwscheidingsvoegprofiel

### Schlüter®-DILEX-BT/MT

Schlüter-DILEX-BT/MT is het middelste deel van de bouwscheidingsvoeg en kan in elke afmeting vrij worden gecombineerd met Schlüter-DILEX-BT/OT en -RENO-VT.  
(Productdatablad 4.20)

#### Schlüter®-DILEX-BT-A/MT

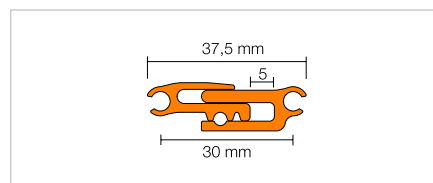
Middenstuk aluminium

B (mm)	L = 2,50 m Art.-No.	€ / m	KV (st.)
37,5	ABT 30 MT	22,49	60

#### Schlüter®-DILEX-BT-AE/MT

Middenstuk alu. bruut mat geanodiseerd

B (mm)	L = 2,50 m Art.-No.	€ / m	KV (st.)
37,5	AEBT 30 MT	33,05	60



### Schlüter®-DILEX-BT/OT

Schlüter-DILEX-BT/OT is het wand-draagprofiel van de bouwscheidingsvoegen en kan in elke afmeting vrij worden gecombineerd met Schlüter-DILEX-BT/MT en -RENO-VT.  
(Productdatablad 4.20)

#### Schlüter®-DILEX-BT-A/OT

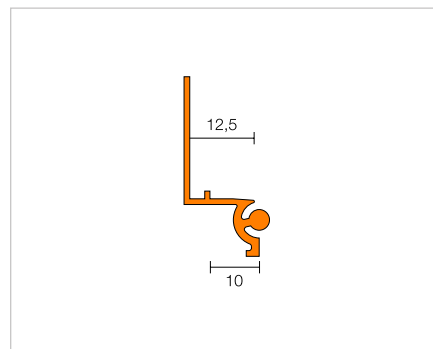
Wand-draagprofiel aluminium

H (mm)	L = 2,50 m Art.-No.	€ / m	KV (st.)
12,5	ABTO 125	8,45	60

#### Schlüter®-DILEX-BT-AE/OT

Wand-draagprofiel alu. bruut mat geanodiseerd

H (mm)	L = 2,50 m Art.-No.	€ / m	KV (st.)
12,5	AEBTO 125	11,71	60



### Schlüter®-RENO-VT

Schlüter-RENO-VT is het vloer-draagprofiel van de bouwscheidingsvoegen en kan vrij worden gecombineerd met Schlüter-DILEX-BT/MT en -BT/OT.  
(Productdatablad 1.7)

#### Schlüter®-RENO-AVT

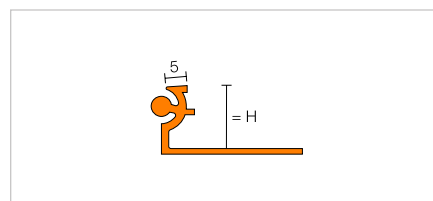
Vloer-draagprofiel aluminium

H (mm)	L = 2,50 m Art.-No.	€ / m	KV (st.)
8	AVT 80	7,62	60
10	AVT 100	8,03	60
12,5	AVT 125	8,45	60
15	AVT 150	8,67	60
17,5	AVT 175	9,05	60
20	AVT 200	9,72	60

#### Schlüter®-RENO-AEVT

Vloer-draagprofiel alu. bruut mat geanodiseerd

H (mm)	L = 2,50 m Art.-No.	€ / m	KV (st.)
8	AEVT 80	10,18	60
10	AEVT 100	10,69	60
12,5	AEVT 125	11,22	60
15	AEVT 150	11,85	60
17,5	AEVT 175	12,37	60
20	AEVT 200	14,02	60



#### Opmerking:

Het profiel VT wordt ook bij de profielreeks Schlüter-RENO-V toegepast als variabel draagprofiel (zie pagina 47).

### Schlüter®-DILEX-BT/VTS

Schlüter-DILEX-BT/VTS is het renovatie-draagprofiel van de bouwscheidingsvoegen en kan worden gecombineerd met Schlüter-DILEX-BT/MT.  
(Productdatablad 4.20)

#### Schlüter®-DILEX-BT-A/VTS

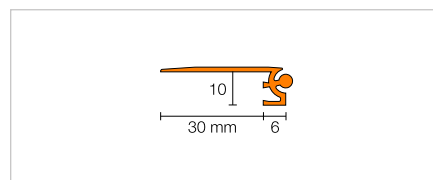
Renovatie-draagprofiel aluminium

H (mm)	L = 2,50 m Art.-No.	€ / m	KV (st.)
10	AVTS 100	8,45	60

#### Schlüter®-DILEX-BT-AE/VTS

Renovatie-draagprofiel alu. bruut mat geanodiseerd

H (mm)	L = 2,50 m Art.-No.	€ / m	KV (st.)
10	AEVTS 100	11,22	60



# Schlüter rand- en aansluitvoegen

## Een mooie oplossing

Het realiseren van propere randvoegen en aansluitvoegen is geen gemakkelijke opgave. Tenslotte moet spanning van de bekleding voorkomen worden en mogen er geen geluidsbruggen ontstaan. Om dit op te lossen, stelt Schlüter-Systems profielen ter beschikking:

- ✓ In verschillende materialen
- ✓ Met verschillende bewegingsopname
- ✓ Met verwisselbare bewegingszones
- ✓ Met en zonder holle plint
- ✓ Duurzaam en onderhoudsvrij





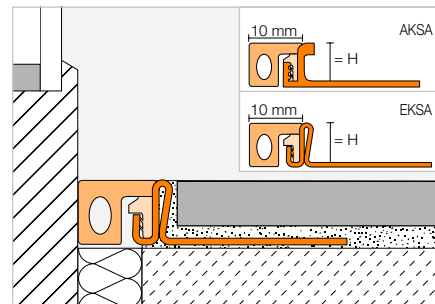


## Aansluitprofiel

### Schlüter®-DILEX-KSA



Schlüter-DILEX-KSA is een aansluitprofiel met randbescherming, bestaand uit een zijdelings bevestigingsvlak uit aluminium of roestvast staal, die met een verwisselbare bewegingszone van zacht kunststof is verbonden. Het dient voor de aansluiting van tegelbekledingen op vaste bouwelementen, zoals raamkozijnen. (Productdatablad 4.8)



#### Schlüter®-DILEX-AKSA

Aluminium

H (mm)	L = 2,50 m Art.-No.	€ / m	KV (st.)
8	AKSA 80 ...*	<b>12,70</b>	40
10	AKSA 100 ...*	<b>13,15</b>	40
11	AKSA 110 ...*	<b>13,36</b>	40
12,5	AKSA 125 ...*	<b>13,61</b>	40
14	AKSA 140 ...*	<b>14,25</b>	40

#### Schlüter®-DILEX-EKSA

Roestvast staal V2A

H (mm)	L = 2,50 m Art.-No.	€ / m	KV (st.)
8	EKSA 80 ...*	<b>25,77</b>	40
10	EKSA 100 ...*	<b>26,06</b>	40
11	EKSA 110 ...*	<b>26,46</b>	40
12,5	EKSA 125 ...*	<b>26,89</b>	40
14	EKSA 140 ...*	<b>27,38</b>	40
16	EKSA 160 ...*	<b>28,12</b>	40
18,5	EKSA 185 ...*	<b>28,80</b>	40
21	EKSA 210 ...*	<b>29,57</b>	40
25	EKSA 250 ...*	<b>31,01</b>	40
30	EKSA 300 ...*	<b>32,35</b>	40

#### Schlüter®-DILEX-EKSA V4A

Roestvast staal V4A

H (mm)	L = 2,50 m Art.-No.	€ / m	KV (st.)
8	EKSA 80 ...* / V4A	<b>28,38</b>	40
10	EKSA 100 ...* / V4A	<b>28,68</b>	40
11	EKSA 110 ...* / V4A	<b>29,16</b>	40
12,5	EKSA 125 ...* / V4A	<b>29,57</b>	40
14	EKSA 140 ...* / V4A	<b>30,09</b>	40
16	EKSA 160 ...* / V4A	<b>30,94</b>	40

## Toebehoren

#### Schlüter®-DILEX-KSA/EL

Vervangstuk: inlage

L = 2,50 m Art.-No.	€ / m	KV (st.)
KSAE / ...*	<b>4,96</b>	40



#### Art.-No. kleur toevoegen (bijv. KSAE / GS)



\* Kleuren: G - GS - HB - PG

Een overzicht van de oppervlakken en kleuren vindt u vanaf pagina 340.

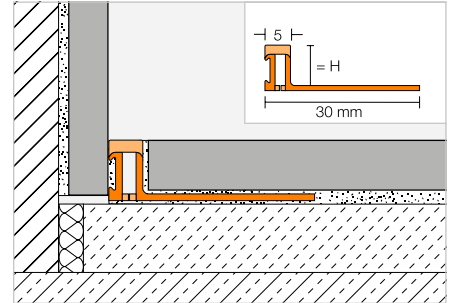
## Aansluitprofiel

## Schlüter®-DILEX-BWA



Schlüter-DILEX-BWA is een flexibel aansluitprofiel van kunststof voor aansluitvoegen van tegelbekledingen naar bestaande bekledingen of bouwelementen zoals deur- en raamkozijnen.

(Productdatablad 4.9)



## Schlüter®-DILEX-BWA

PVC / CPE

H (mm)	L = 2,50 m Art.-No.	€ / m	KV (st.)
4,5	BWA 45 ...*	<b>6,78</b>	120
6	BWA 60 ...*	<b>6,84</b>	120
8	BWA 80 ...*	<b>6,91</b>	120
10	BWA 100 ...*	<b>7,09</b>	120
12,5	BWA 125 ...*	<b>7,33</b>	120

## Art.-No. kleur toevoegen (bijv. BWA 45 G)



\* Kleuren: BW - C - DA - FG - G - GS - HB - PG - SG

Een overzicht van de oppervlakken en kleuren vindt u vanaf pagina 340.

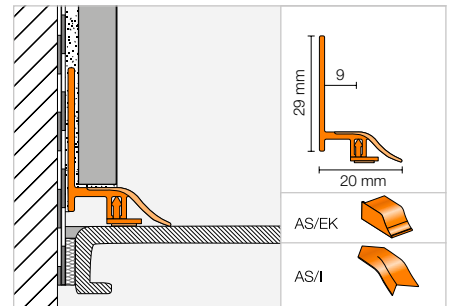
## Aansluitprofiel

## Schlüter®-DILEX-AS



Schlüter-DILEX-AS is een flexibel aansluitprofiel aan bouwelementen zoals douchebakken, deur- en raamkozijnen.

(Productdatablad 4.10)



## Schlüter®-DILEX-AS

PVC

L = 2,50 m Art.-No.	€ / m	KV (st.)
AS 20 BW	<b>9,95</b>	90

## Hoek | Eindkapje

## Schlüter®-DILEX-AS/I

Binnenhoek 90°

Art.-No.	€ / St.	P (st.)
I / AS 20 BW	<b>1,51</b>	10

## Schlüter®-DILEX-AS/EK

Eindkapje

Art.-No.	€ / Set	P (set)
EK / AS 20 BW	<b>2,99</b>	10

Set = 1 x links, 1 x rechts

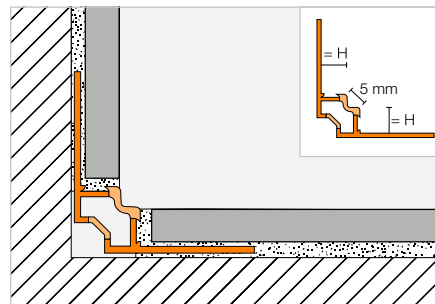


## Hoekvoegprofiel

### Schlüter®-DILEX-EF



Schlüter-DILEX-EF is een flexibel, eendelig hoekprofiel van gecombineerde harde en zachte kunststof voor verticale inwendige hoeken of voor wand-vloeraansluitingen. Het kan worden ingezet bij niet-zwevende vloeren. (Productdatablad 4.13)



#### Schlüter®-DILEX-EF

PVC / CPE

H (mm)	L = 2,50 m Art.-No.	€ / m	KV (st.)
8	EF 80 ...*	7,40	60
10	EF 100 ...*	7,40	60
12,5	EF 125 ...*	7,40	60
15	EF 150 ...*	7,40	60

Art.-No. kleur toevoegen (bijv. EF 80 G)



\* Kleuren: BW - G - HB - PG - SP

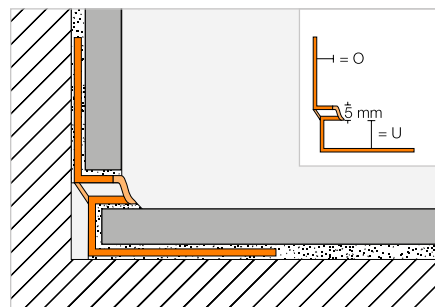
Een overzicht van de oppervlakken en kleuren vindt u vanaf pagina 340.

## Hoekvoegprofiel

### Schlüter®-DILEX-EKE



Schlüter-DILEX-EKE is een flexibel, eendelig hoekprofiel van gecombineerde harde en zachte kunststof voor verticale inwendige hoeken of voor wand-vloeraansluitingen. Het profiel beschikt over een geïntegreerde tegelruimte en kan worden ingezet bij niet-zwevende vloeren. (Productdatablad 4.13)



#### Schlüter®-DILEX-EKE

PVC / CPE, 0 = mm

U (mm)	L = 2,50 m Art.-No.	€ / m	KV (st.)
8	EKE U 8 / 0 7 ...*	7,40	60
9	EKE U 9 / 0 8 ...*	7,40	60
11	EKE U 11 / 0 10 ...*	7,40	60
13	EKE U 13 / 0 12 ...*	7,40	60
15	EKE U 15 / 0 14 ...*	7,40	60

Art.-No. kleur toevoegen (bijv. EKE U 8 / 0 7 G)



\* Kleuren: BW - G - GS - HB - PG - SP

Een overzicht van de oppervlakken en kleuren vindt u vanaf pagina 340.

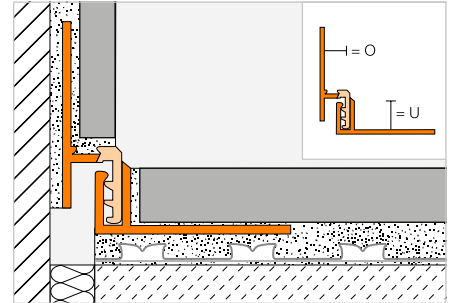
## Randvoegprofiel

## Schlüter®-DILEX-RF



Schlüter-DILEX-RF is een tweedelig profiel van gecombineerde harde en zachte kunststof, met een groef-mesverbinding voor duurzaam flexibele en onderhoudsvrije randvoegen zoals vloer-wandaansluitingen of plintaansluitingen.

(Productdatablad 4.14)



## Schlüter®-DILEX-RF

PVC / CPE, 0 = 8 mm

U (mm)	L = 2,50 m Art.-No.	€ / m	KV (st.)
10	RF U 100 / O 80 ...*	<b>12,70</b>	60
12,5	RF U 125 / O 80 ...*	<b>12,70</b>	60
15	RF U 150 / O 80 ...*	<b>12,70</b>	60
18	RF U 180 / O 80 ...*	<b>12,70</b>	60
22	RF U 220 / O 80 ...*	<b>12,70</b>	60

## Schlüter®-DILEX-RF

PVC / CPE, 0 = 10 mm

U (mm)	L = 2,50 m Art.-No.	€ / m	KV (st.)
10	RF U 100 / O 100 ...*	<b>12,70</b>	60
12,5	RF U 125 / O 100 ...*	<b>12,70</b>	60
15	RF U 150 / O 100 ...*	<b>12,70</b>	60
18	RF U 180 / O 100 ...*	<b>12,70</b>	60
22	RF U 220 / O 100 ...*	<b>12,70</b>	60

## Schlüter®-DILEX-RF

PVC / CPE, 0 = 12,5 mm

U (mm)	L = 2,50 m Art.-No.	€ / m	KV (st.)
10	RF U 100 / O 125 ...*	<b>12,70</b>	60
12,5	RF U 125 / O 125 ...*	<b>12,70</b>	60
15	RF U 150 / O 125 ...*	<b>12,70</b>	60
18	RF U 180 / O 125 ...*	<b>12,70</b>	60
22	RF U 220 / O 125 ...*	<b>12,70</b>	60

## Schlüter®-DILEX-RF

PVC / CPE, 0 = 15 mm

U (mm)	L = 2,50 m Art.-No.	€ / m	KV (st.)
10	RF U 100 / O 150 ...*	<b>12,70</b>	60
12,5	RF U 125 / O 150 ...*	<b>12,70</b>	60
15	RF U 150 / O 150 ...*	<b>12,70</b>	60
18	RF U 180 / O 150 ...*	<b>12,70</b>	60
22	RF U 220 / O 150 ...*	<b>12,70</b>	60

## Schlüter®-DILEX-RF

PVC / CPE, 0 = 18 mm

U (mm)	L = 2,50 m Art.-No.	€ / m	KV (st.)
10	RF U 100 / O 180 ...*	<b>12,70</b>	60
12,5	RF U 125 / O 180 ...*	<b>12,70</b>	60
15	RF U 150 / O 180 ...*	<b>12,70</b>	60
18	RF U 180 / O 180 ...*	<b>12,70</b>	60
22	RF U 220 / O 180 ...*	<b>12,70</b>	60

## Art.-No. kleur toevoegen (bijv. RF U 100 / O 180 PG)



\* Kleuren: G - PG

Een overzicht van de oppervlakken en kleuren vindt u vanaf pagina 340.



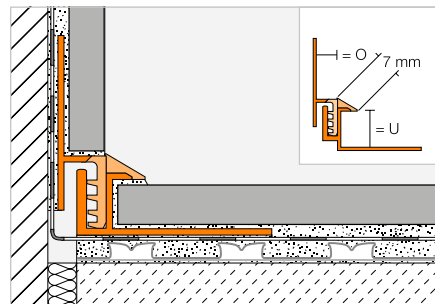


## Randvoegprofiel

### Schlüter®-DILEX-EK



Schlüter-DILEX-EK is een tweedelig profiel van gecombineerde harde en zachte kunststof, met een groef-mesverbinding en een geïntegreerde tegelruimte. Het dient voor de plaatsing van duurzaam flexibele en onderhoudsvrije randvoegen zoals vloer-wandaansluitingen of plintaansluitingen. (Productdatablad 4.14)



#### Schlüter®-DILEX-EK

PVC / CPE, 0 = 7 mm

U (mm)	L = 2,50 m Art.-No.	€ / m	KV (st.)
8	EK U 8 / 0 7 ...*	12,70	60
11	EK U 11 / 0 7 ...*	12,70	60
15	EK U 15 / 0 7 ...**	12,70	60

#### Schlüter®-DILEX-EK

PVC / CPE, 0 = 10 mm

U (mm)	L = 2,50 m Art.-No.	€ / m	KV (st.)
8	EK U 8 / 0 10 ...*	12,70	60
11	EK U 11 / 0 10 ...*	12,70	60
15	EK U 15 / 0 10 ...**	12,70	60

#### Schlüter®-DILEX-EK

PVC / CPE, 0 = 14 mm

U (mm)	L = 2,50 m Art.-No.	€ / m	KV (st.)
8	EK U 8 / 0 14 G	12,70	60
11	EK U 11 / 0 14 G	12,70	60
15	EK U 15 / 0 14 G	12,70	60

#### Art.-No. kleur toevoegen (bijv. EK U 8 / 0 10 G)



\* Kleuren: BW - G - GS - HB - PG

\*\* Kleuren: G

Een overzicht van de oppervlakken en kleuren vindt u vanaf pagina 340.

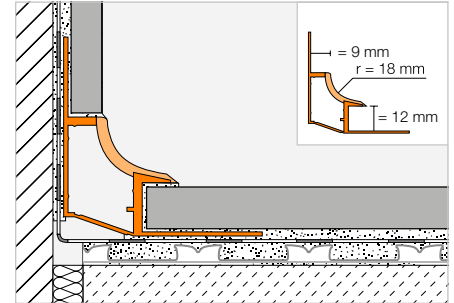
## Holplintprofiel

## Schlüter®-DILEX-HK



Schlüter-DILEX-HK is een holplintprofiel van hard-PVC-regeneraat met een holle plint van zachte kunststof en een geïntegreerde tegelruimte voor de wand-vloeraansluiting. Het profiel voldoet aan bijzondere vereisten betreffende hygiëne en reinigingsmogelijkheden in de levensmiddelenindustrie, grootkeukens en dergelijke.

(Productdatablad 4.11)



## Schlüter®-DILEX-HK

PVC / CPE, 0 = 9 mm

L = 2,50 m Art.-No.	€ / m	KV (st.)
HK U12 / 09 ...*	13,70	60

## Hoek | Eindkapje | Verbindingsstuk

## Schlüter®-DILEX-HK/E

Buitenhoek 90°

Art.-No.	€ / St.	P (st.)
A / HK / ...*	4,34	50

## Schlüter®-DILEX-HK/I

Binnenhoek 90°

Overgangen	Art.-No.	€ / St.	P (st.)
2	I / HK 2 R18 / ...*	4,34	50
3	I / HK 3 R18 / ...*	4,34	50



I2 = 2 overgangen



I3 = 3 overgangen

## Schlüter®-DILEX-HK/EK

Eindkapje

Art.-No.	€ / St.	P (st.)
ER / HK / G	3,25	50
EL / HK / G	3,25	50

ER = rechts / EL = links

## Schlüter®-DILEX-HK/V

Verbindingsstuk

Art.-No.	€ / St.	P (st.)
V / HK	1,82	50



## Art.-No. kleur toevoegen (bijv. I / HK 2 R18 / HB)

BW G HB

\* Kleuren: BW - G - HB

Een overzicht van de oppervlakken en kleuren vindt u vanaf pagina 340.



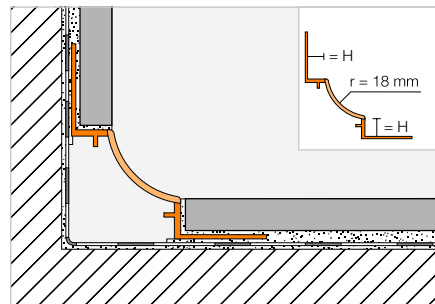
## Holplintprofiel

### Schlüter®-DILEX-HKW



Schlüter-DILEX-HKW is een holplintprofiel van harde kunststof voor verticale inwendige hoeken en voor wand-vloeraansluitingen wanneer slechts geringe bewegingen verwacht worden.

(Productdatablad 4.12)



### Schlüter®-DILEX-HKW

PVC

H (mm)	L = 2,50 m Art.-No.	€ / m	KV (st.)
7	HKW U 7 / 0 7 ...*	9,54	60
9	HKW U 9 / 0 9 ...*	9,54	60
11	HKW U 11 / 0 11 ...*	9,54	60

## Hoek | Eindkapje

### Schlüter®-DILEX-HKW/E

Buitenhoek 90°

Art.-No.	€ / St.	P (st.)
A / HKW / ...*	4,34	50

### Schlüter®-DILEX-HKW/I

Binnenhoek 90°

Overgangen	Art.-No.	€ / St.	P (st.)
2	I / HKW 2 R18 / ...*	4,34	50
3	I / HKW 3 R18 / ...*	4,34	50



I2 = 2 overgangen

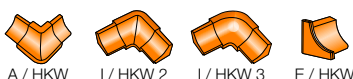


I3 = 3 overgangen

### Schlüter®-DILEX-HKW/EK

Eindkapje

Art.-No.	€ / St.	P (st.)
E / HKW / G	3,25	50



### Art.-No. kleur toevoegen (bijv. I / HKW 2 R18 / G)



\* Kleuren: BW - G - HB - PG

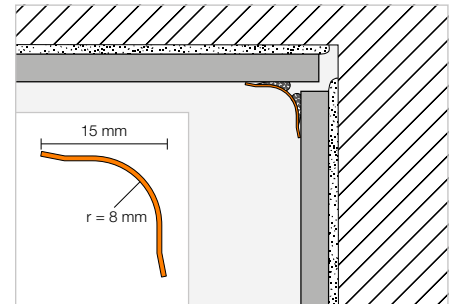
Een overzicht van de oppervlakken en kleuren vindt u vanaf pagina 340.

## Holplintprofiel

## Schlüter®-ECK-KHK



Schlüter-ECK-KHK is een als holle plint uitgevoerd hoekprofiel uit roestvast staal om achteraf op inwendige hoeken van tegels of andere wandbekledingen te kleven.  
(Productdatablad 2.7)



## Schlüter®-ECK-KHK-E

Roestvast staal V2A

B (mm)	L = 3,00 m Art.-No.	€ / m	KV (st.)
15	KHK15 E/300	25,26	60
	L = 2,50 m		
15	KHK15 E	25,26	60
	L = 2,00 m		
15	KHK15 E/200	25,26	60
	L = 1,50 m		
15	KHK15 E/150	25,26	60

## Schlüter®-ECK-KHK-EB

Roestvast staal V2A geborsteld

B (mm)	L = 3,00 m Art.-No.	€ / m	KV (st.)
15	KHK15 EB/300	32,83	60
	L = 2,50 m		
15	KHK15 EB	32,83	60
	L = 2,00 m		
15	KHK15 EB/200	32,83	60
	L = 1,50 m		
15	KHK15 EB/150	32,83	60

## Hoek | Verbindingsstuk

## Schlüter®-ECK-KHK-E/E

Buitenhoek 90°  
roestvast staal V2A

Art.-No.	€ / St.	P (st.)
E / KHK15 E	8,37	50

## Schlüter®-ECK-KHK-EB/E

Buitenhoek 90°  
roestvast staal V2A geborsteld

Art.-No.	€ / St.	P (st.)
E / KHK15 EB	9,21	50

## Schlüter®-ECK-KHK-E/I

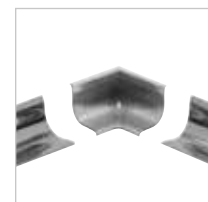
Binnenhoek 90°  
roestvast staal V2A

Art.-No.	€ / St.	P (st.)
I/2 KHK15 E	8,37	50
I/3 KHK15 E	8,37	50

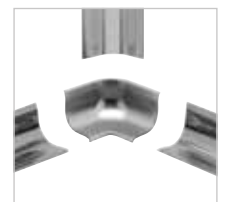
## Schlüter®-ECK-KHK-EB/I

Binnenhoek 90°  
roestvast staal V2A geborsteld

Art.-No.	€ / St.	P (st.)
I/2 KHK15 EB	9,21	50
I/3 KHK15 EB	9,21	50



I2 = 2 overgangen



I3 = 3 overgangen

## Schlüter®-ECK-KHK-E/V

Verbindingsstuk  
roestvast staal V2A

Art.-No.	€ / St.	P (st.)
V / KHK15 E	8,37	50

## Schlüter®-ECK-KHK-EB/V

Verbindingsstuk  
roestvast staal V2A geborsteld

Art.-No.	€ / St.	P (st.)
V / KHK15 EB	9,21	50



E / KHK I/2 KHK I/3 KHK V / KHK



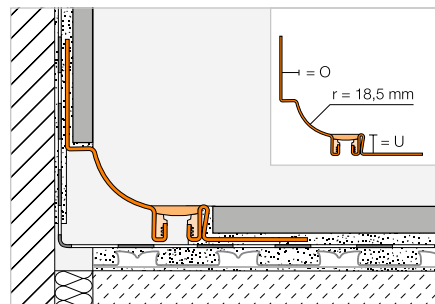


## Holplintprofiel

### Schlüter®-DILEX-HKS



Schlüter-DILEX-HKS is een combinatie van een roestvaststalen holplintprofiel en een flexibel bewegingsvoegprofiel voor de vloerwandaansluiting van betegelde oppervlakken. (Productdatablad 4.15)



#### Schlüter®-DILEX-HKS-E

Roestvast staal V2A, O = 7 mm

U (mm)	L = 2,50 m Art.-No.	€ / m	KV (st.)
8	HKS V2A U 8 / 0 7 ...*	53,14	40
10	HKS V2A U 10 / 0 7 ...*	53,73	40
12,5	HKS V2A U 12 / 0 7 ...*	54,42	40
14	HKS V2A U 14 / 0 7 ...*	54,69	40
16	HKS V2A U 16 / 0 7 ...*	55,09	40
18	HKS V2A U 18 / 0 7 ...*	55,60	40
21	HKS V2A U 21 / 0 7 ...*	56,14	40
25	HKS V2A U 25 / 0 7 ...*	57,15	40
30	HKS V2A U 30 / 0 7 ...*	57,85	40

#### Schlüter®-DILEX-HKS-E

Roestvast staal V2A, O = 9 mm

U (mm)	L = 2,50 m Art.-No.	€ / m	KV (st.)
8	HKS V2A U 8 / 0 9 ...*	53,14	40
10	HKS V2A U 10 / 0 9 ...*	53,73	40
12,5	HKS V2A U 12 / 0 9 ...*	54,42	40
14	HKS V2A U 14 / 0 9 ...*	54,69	40
16	HKS V2A U 16 / 0 9 ...*	55,09	40
18	HKS V2A U 18 / 0 9 ...*	55,60	40
21	HKS V2A U 21 / 0 9 ...*	56,14	40
25	HKS V2A U 25 / 0 9 ...*	57,15	40
30	HKS V2A U 30 / 0 9 ...*	57,85	40

#### Schlüter®-DILEX-HKS-E

Roestvast staal V2A, O = 11 mm

U (mm)	L = 2,50 m Art.-No.	€ / m	KV (st.)
8	HKS V2A U 8 / 0 11 ...*	53,14	40
10	HKS V2A U 10 / 0 11 ...*	53,73	40
12,5	HKS V2A U 12 / 0 11 ...*	54,42	40
14	HKS V2A U 14 / 0 11 ...*	54,69	40
16	HKS V2A U 16 / 0 11 ...*	55,09	40
18	HKS V2A U 18 / 0 11 ...*	55,60	40
21	HKS V2A U 21 / 0 11 ...*	56,14	40
25	HKS V2A U 25 / 0 11 ...*	57,15	40
30	HKS V2A U 30 / 0 11 ...*	57,85	40

#### Schlüter®-DILEX-HKS-E V4A

Roestvast staal V4A, O = 7 mm

U (mm)	L = 2,50 m Art.-No.	€ / m	KV (st.)
8	HKS V4A U 8 / 0 7 ...*	58,45	40
10	HKS V4A U 10 / 0 7 ...*	59,09	40
12,5	HKS V4A U 12 / 0 7 ...*	59,86	40
14	HKS V4A U 14 / 0 7 ...*	60,19	40
16	HKS V4A U 16 / 0 7 ...*	60,59	40

#### Schlüter®-DILEX-HKS-E V4A

Roestvast staal V4A, O = 9 mm

U (mm)	L = 2,50 m Art.-No.	€ / m	KV (st.)
8	HKS V4A U 8 / 0 9 ...*	58,45	40
10	HKS V4A U 10 / 0 9 ...*	59,09	40
12,5	HKS V4A U 12 / 0 9 ...*	59,86	40
14	HKS V4A U 14 / 0 9 ...*	60,19	40
16	HKS V4A U 16 / 0 9 ...*	60,59	40

#### Schlüter®-DILEX-HKS-E V4A

Roestvast staal V4A, O = 11 mm

U (mm)	L = 2,50 m Art.-No.	€ / m	KV (st.)
8	HKS V4A U 8 / 0 11 ...*	58,45	40
10	HKS V4A U 10 / 0 11 ...*	59,09	40
12,5	HKS V4A U 12 / 0 11 ...*	59,86	40
14	HKS V4A U 14 / 0 11 ...*	60,19	40
16	HKS V4A U 16 / 0 11 ...*	60,59	40

## Hoek

#### Schlüter®-DILEX-HKS-E/E 90°

Voorgesneden hoek 90°  
roestvast staal V2A

Art.-No.	€ / Set	P (set)
E90 V2A ...**	45,60	50

#### Schlüter®-DILEX-HKS-E V4A/E 90°

Voorgesneden hoek 90°  
roestvast staal V4A

Art.-No.	€ / Set	P (set)
E90 V4A ...**	45,60	50



#### Opmerking:

Vormelementen (binnenhoeken, buitenhoeken en verbindingstukken) zie Schlüter-DILEX-EHK.

#### Art.-No. kleur toevoegen (bijv. HKS V4A U 8 / 0 11 GS)



\* Kleuren: G - GS - HB - PG

\*\* Art.-No. U ... / O ... en kleur toevoegen (bijv. E90 V2A U 10 / 0 11 G). Kleuren: G - GS - HB - PG

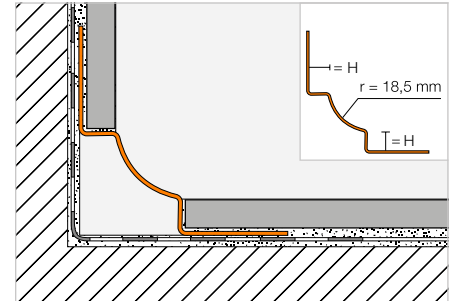
Een overzicht van de oppervlakken en kleuren vindt u vanaf pagina 340.

## Holplintprofiel

## Schlüter®-DILEX-EHK



Schlüter-DILEX-EHK is een volledig uit roestvast staal vervaardigd holplintprofiel voor hygiënische verticale inwendige hoeken en vloer-wandaansluitingen.  
(Productdatablad 4.15)



## Schlüter®-DILEX-EHK

Roestvast staal V2A

H (mm)	L = 2,50 m Art.-No.	€ / m	KV (st.)
7	EHK U 7 / 0 7	<b>30,23</b>	40
9	EHK U 9 / 0 9	<b>31,12</b>	40
11	EHK U 11 / 0 11	<b>32,05</b>	40

## Schlüter®-DILEX-EBHK

Roestvast staal V2A geborsteld

H (mm)	L = 2,50 m Art.-No.	€ / m	KV (st.)
7	EBHK U 7 / 0 7	<b>39,31</b>	40
9	EBHK U 9 / 0 9	<b>40,47</b>	40
11	EBHK U 11 / 0 11	<b>41,71</b>	40

## Schlüter®-DILEX-EHK V4A

Roestvast staal V4A

H (mm)	L = 2,50 m Art.-No.	€ / m	KV (st.)
7	EHK U 7 / 0 7 / V4A	<b>33,26</b>	40
9	EHK U 9 / 0 9 / V4A	<b>34,22</b>	40
11	EHK U 11 / 0 11 / V4A	<b>35,29</b>	40
16	EHK U 16 / 0 16 / V4A	<b>37,52</b>	40

## Hoek | Verbindingsstuk in roestvast staal V4A

## Schlüter®-DILEX-EHK/E

Buitenhoek 90°  
roestvast staal V4A

Art.-No.	€ / St.	P (st.)
A / EHK 2 R18	<b>8,56</b>	50

## Schlüter®-DILEX-EHK/E 135°

Buitenhoek 135°  
roestvast staal V4A

Art.-No.	€ / St.	P (st.)
E 135 / EHK 2 R18	<b>8,56</b>	50

## Schlüter®-DILEX-EHK/V

Verbindingsstuk  
roestvast staal V4A

Art.-No.	€ / St.	P (st.)
V / EHK	<b>8,56</b>	50

## Schlüter®-DILEX-EHK/I

Binnenhoek 90°  
roestvast staal V4A

Art.-No.	€ / St.	P (st.)
I / EHK 2 R18	<b>8,56</b>	50
I / EHK 3 R18	<b>8,56</b>	50

## Schlüter®-DILEX-EHK/I 135°

Binnenhoek 135°  
roestvast staal V4A

Art.-No.	€ / St.	P (st.)
I 135 / EHK 2 R18	<b>8,56</b>	50



I2 = 2 overgangen

I3 = 3 overgangen

## Hoek | Verbindingsstuk in geborsteld roestvast staal V2A

## Schlüter®-DILEX-EBHK/E

Buitenhoek 90°  
roestvast staal V2A geborsteld

Art.-No.	€ / St.	P (st.)
A / EBHK 2 R18	<b>11,13</b>	50

## Schlüter®-DILEX-EBHK/E 135°

Buitenhoek 135°  
roestvast staal V2A geborsteld

Art.-No.	€ / St.	P (st.)
E 135 / EB HK 2 R18	<b>11,13</b>	50

## Schlüter®-DILEX-EBHK/V

Verbindingsstuk roestvast staal V2A geborsteld

Art.-No.	€ / St.	P (st.)
V / EBHK	<b>11,13</b>	50

## Schlüter®-DILEX-EBHK/I

Binnenhoek 90°  
roestvast staal V2A geborsteld

Art.-No.	€ / St.	P (st.)
I / EBHK 2 R18	<b>11,13</b>	50
I / EBHK 3 R18	<b>11,13</b>	50

## Schlüter®-DILEX-EBHK/I 135°

Binnenhoek 135°  
roestvast staal V2A geborsteld

Art.-No.	€ / St.	P (st.)
I 135 / EB HK 2 R18	<b>11,13</b>	50

## Opmerking:

De toebehoren voor Schlüter-DILEX-EHK zijn van V4A en kunnen ook met V2A-profielen worden gecombineerd (geldt niet voor geborsteld roestvast staal = EBHK). Als eindkapjes adviseren wij Schlüter-DILEX-HKW/EK uit kunststof.





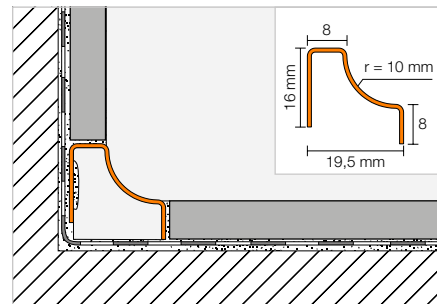
## Holplintprofiel

### Schlüter®-DILEX-HKU



Schlüter-DILEX-HKU is een volledig uit roestvast staal vervaardigd holplintprofiel voor hygiënische verticale inwendige hoeken en vloer-wandaansluitingen. Dankzij het binnenliggende bevestigingsvlak kan het profiel variabel voor verschillende bekledingsdikten worden gebruikt.

(Productdatablad 4.22)



#### Schlüter®-DILEX-HKU 10-E

Roestvast staal V2A

L = 2,50 m Art.-No.	€ / m	KV (st.)
HKUR 10 E	28,44	40

#### Schlüter®-DILEX-HKU 10-EB

Roestvast staal V2A geborsteld

L = 2,50 m Art.-No.	€ / m	KV (st.)
HKUR 10 EB	31,18	40

#### Schlüter®-DILEX-HKU 10-E V4A

Roestvast staal V4A

L = 2,50 m Art.-No.	€ / m	KV (st.)
HKUR 10 E / V4A	42,69	40

## Hoek | Eindkapje | Verbindingsstuk in roestvast staal V4A

#### Schlüter®-DILEX-HKU 10-E/EQ

Buitenhoek 90°  
roestvast staal V4A

Art.-No.	€ / St.	P (st.)
EQ / HKUR 10 E	8,37	50

#### Schlüter®-DILEX-HKU 10-E 135°

Buitenhoek 135°  
roestvast staal V4A

Art.-No.	€ / St.	P (st.)
E135 / HKUR 10 E	8,37	50

#### Opmerking:

De toebehoren voor Schlüter-DILEX-HKU 10 zijn van V4A en kunnen ook met V2A-profielen worden gecombineerd (geldt niet voor geborsteld roestvast staal = HKU-EB).

#### Schlüter®-DILEX-HKU 10-E/I

Binnenhoek 90°  
roestvast staal V4A

Art.-No.	€ / St.	P (st.)
I / HKUR 3 R 10 E	8,37	50

#### Schlüter®-DILEX-HKU 10-E/I 135°

Binnenhoek 135°  
roestvast staal V4A

Art.-No.	€ / St.	P (st.)
I135 / HKUR 10 E	8,37	50

#### Schlüter®-DILEX-HKU 10-E/EK

Eindkapje  
roestvast staal V4A

Art.-No.	€ / St.	P (st.)
EK / HKUR 10 E	7,20	50

#### Schlüter®-DILEX-HKU 10-E/V

Verbindingsstuk  
roestvast staal V4A

Art.-No.	€ / St.	P (st.)
V / HKUR 10 E	8,37	50



## Hoek | Eindkapje | Verbindingsstuk in geborsteld roestvast staal V2A

**Schlüter®-DILEX-HKU 10-EB/EQ**Buitenhoek 90°  
roestvast staal V2A geborsteld

Art.-No.	€ / St.	P (st.)
EQ / HKUR 10 EB	9,21	50

**Schlüter®-DILEX-HKU 10-EB 135°**Buitenhoek 135°  
roestvast staal V2A geborsteld

Art.-No.	€ / St.	P (st.)
E135 / HKUR 10 EB	9,21	50

**Schlüter®-DILEX-HKU 10-EB/I**Binnenhoek 90°  
roestvast staal V2A geborsteld

Art.-No.	€ / St.	P (st.)
I / HKUR 3 R 10 EB	9,21	50

**Schlüter®-DILEX-HKU 10-EB/I 135°**Binnenhoek 135°  
roestvast staal V2A geborsteld

Art.-No.	€ / St.	P (st.)
I135 / HKUR 10 EB	9,21	50

**Schlüter®-DILEX-HKU 10-EB/EK**Eindkapje  
roestvast staal V2A geborsteld

Art.-No.	€ / St.	P (st.)
EK / HKUR 10 EB	8,51	50

**Schlüter®-DILEX-HKU 10-EB/V**Verbindingsstuk  
roestvast staal V2A geborsteld

Art.-No.	€ / St.	P (st.)
V / HKUR 10 EB	9,21	50

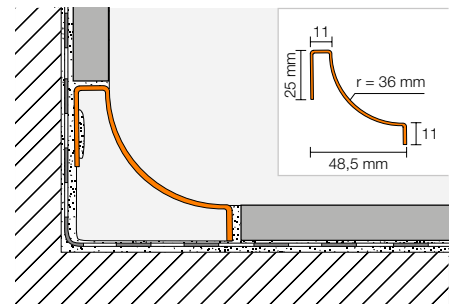


## Holplintprofiel

**Schlüter®-DILEX-HKU 36-E**

Roestvast staal V2A

L = 2,50 m Art.-No.	€ / m	KV (st.)
HKUR 36 E	33,64	40



## Hoek | Eindkapje | Verbindingsstuk

**Schlüter®-DILEX-HKU 36-E/E**Buitenhoek 90°  
roestvast staal V2A

Art.-No.	€ / St.	P (st.)
E / HKUR 36 E	9,56	50

**Schlüter®-DILEX-HKU 36-E/I**Binnenhoek 90°  
roestvast staal V2A

Art.-No.	€ / St.	P (st.)
I / HKUR 3 R 36 10 E	9,56	50

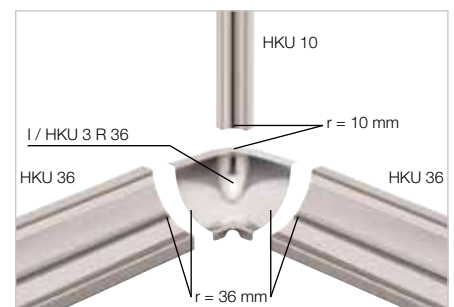
**Schlüter®-DILEX-HKU 36-E/V**Verbindingsstuk  
roestvast staal V2A

Art.-No.	€ / St.	P (st.)
V / HKUR 36 E	9,56	50

**Schlüter®-DILEX-HKU 36/VI**

Verbindingsstuk aan binnenkant

Art.-No.	€ / St.	P (st.)
VI / HKUR 36	4,20	50

**Schlüter®-DILEX-HKU 36/EK**

Eindkapje PVC

Art.-No.	€ / St.	P (st.)
EK / HKUR 36 E	4,20	50







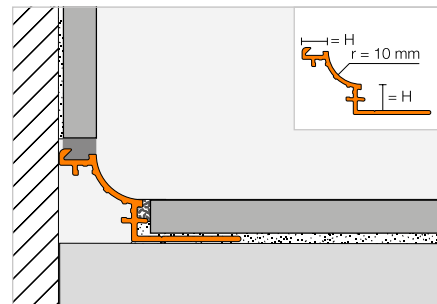
## Holplintprofiel

### Schlüter®-DILEX-AHK-TS



Schlüter-DILEX-AHK-TS is een aluminium holplintprofiel met de speciale TRENDLINE-structuur en textuur. Het is geschikt voor inwendige hoeken van wanden, keukenwerkbladen of plateaus die een keramische bekleding krijgen. Het profiel kan gecombineerd worden met de profielen Schlüter-RONDEC, -JOLLY, -SCHIENE of -QUADEC in de bijpassende structuurcoating.

(Productdatablad 4.21)



#### Schlüter®-DILEX-AHK-TSI

Alu. structuur-gecoat ivoor

H (mm)	L = 2,50 m Art.-No.	€ / m	KV (st.)
8	AHK 1S 80 TSI	<b>25,92</b>	40
10	AHK 1S 100 TSI	<b>26,91</b>	40
12,5	AHK 1S 125 TSI	<b>27,88</b>	40

#### Schlüter®-DILEX-AHK-TSSG

Alu. structuur-gecoat steengrijs

H (mm)	L = 2,50 m Art.-No.	€ / m	KV (st.)
8	AHK 1S 80 TSSG	<b>25,92</b>	40
10	AHK 1S 100 TSSG	<b>26,91</b>	40
12,5	AHK 1S 125 TSSG	<b>27,88</b>	40

#### Schlüter®-DILEX-AHK-TSDA

Alu. structuur-gecoat donker antraciet

H (mm)	L = 2,50 m Art.-No.	€ / m	KV (st.)
8	AHK 1S 80 TSDA	<b>25,92</b>	40
10	AHK 1S 100 TSDA	<b>26,91</b>	40
12,5	AHK 1S 125 TSDA	<b>27,88</b>	40

## Hoek | Eindkapje | Verbindingsstuk

#### Schlüter®-DILEX-AHK-TS/E

Buitenhoek 90° (RONDEC-aansluiting)

Art.-No.	€ / St.	P (st.)
E90 / AHK 1S / ...*	<b>27,09</b>	50

#### Schlüter®-DILEX-AHK-TS/E 90 Q

Buitenhoek 90° (QUADEC-aansluiting)

Art.-No.	€ / St.	P (st.)
E90 Q / AHK 1S / ...*	<b>27,09</b>	50

#### Schlüter®-DILEX-AHK-TS/E 135°

Buitenhoek 135°

Art.-No.	€ / St.	P (st.)
E135 / AHK 1S / ...*	<b>27,09</b>	50

#### Schlüter®-DILEX-AHK-TS/I

Binnenhoek 90°

Art.-No.	€ / St.	P (st.)
I90 / AHK 1S / ...*	<b>27,09</b>	50

#### Schlüter®-DILEX-AHK-TS/I 135°

Binnenhoek 135°

Art.-No.	€ / St.	P (st.)
I135 / AHK 1S / ...*	<b>27,09</b>	50

#### Schlüter®-DILEX-AHK-TS/EK

Eindkapje

Art.-No.	€ / St.	P (st.)
E / AHK 1S / ...*	<b>17,39</b>	50



#### Schlüter®-DILEX-AHK/V

Verbindingsstuk

Art.-No.	€ / St.	P (st.)
V / AHK	<b>4,20</b>	50

Art.-No. aanvullen met oppervlak (bijv. E / AHK 1S / TSI)

\* Oppervlakken: TSDA - TSI - TSSG

Een overzicht van de oppervlakken en kleuren vindt u vanaf pagina 340.

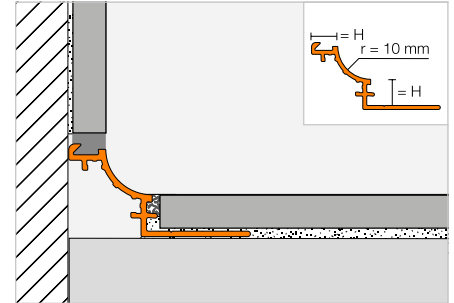
## Holplintprofiel



## Schlüter®-DILEX-AHK



Schlüter-DILEX-AHK is een aluminium holplintprofiel voor inwendige hoeken van wanden, keukenwerkbladen of plateaus, die een keramische bekleding krijgen. Het is verkrijgbaar in diverse geanodiseerde oppervlakken of in kleurgecoat aluminium. (Productdatablad 4.21)



## Schlüter®-DILEX-AHK-AE

Alu. bruut mat geanodiseerd

H (mm)	L = 2,50 m Art.-No.	€ / m	KV (st.)
8	AHK 1S 80 AE	20,40	40
10	AHK 1S 100 AE	21,19	40
12,5	AHK 1S 125 AE	22,04	40

## Schlüter®-DILEX-AHK-ACG

Alu. chroom glanzend geanodiseerd

H (mm)	L = 2,50 m Art.-No.	€ / m	KV (st.)
8	AHK 1S 80 ACG	38,89	40
10	AHK 1S 100 ACG	40,19	40
12,5	AHK 1S 125 ACG	41,14	40

## Schlüter®-DILEX-AHK-ACGB

Alu. chroom geborsteld geanodiseerd

H (mm)	L = 2,50 m Art.-No.	€ / m	KV (st.)
8	AHK 1S 80 ACGB	30,01	40
10	AHK 1S 100 ACGB	30,77	40
12,5	AHK 1S 125 ACGB	31,74	40

## Schlüter®-DILEX-AHK-AC

Alu. met kleurcoating

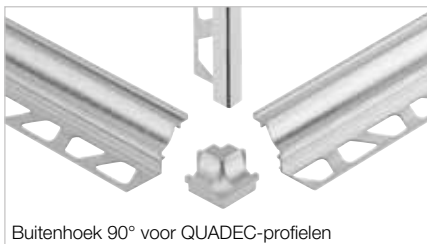
H (mm)	L = 2,50 m Art.-No.	€ / m	KV (st.)
8	AHK 1S 80 ...*	19,99	40
10	AHK 1S 100 ...*	21,01	40
12,5	AHK 1S 125 ...*	22,04	40



## Hoek | Eindkapje | Verbindingsstuk



Buitenhoek 90° voor RONDEC-profielen



Buitenhoek 90° voor QUADDEC-profielen



E90 / AHK



E135 / AHK



I90 / AHK



I135 / AHK



ER / AHK



EL / AHK

## Schlüter®-DILEX-AHK/E

Buitenhoek 90° (RONDEC-aansluiting)

Art.-No.	€ / St.	P (st.)
E90 / AHK 1S / ...**	27,09	50

## Schlüter®-DILEX-AHK/E 90 Q

Buitenhoek 90° (QUADDEC-aansluiting)

Art.-No.	€ / St.	P (st.)
E90 Q / AHK 1S / ...**	27,09	50

## Schlüter®-DILEX-AHK/E 135°

Buitenhoek 135°

Art.-No.	€ / St.	P (st.)
E135 / AHK 1S / ...**	27,09	50

## Schlüter®-DILEX-AHK-AC/E

Buitenhoek 90° (RONDEC-aansluiting)

Art.-No.	€ / St.	P (st.)
E90 / AHK 1S / ...*	27,08	50

## Schlüter®-DILEX-AHK-AC/E 90 Q

Buitenhoek 90° (QUADDEC-aansluiting)

Art.-No.	€ / St.	P (st.)
E90 Q / AHK 1S / ...*	27,08	50

## Schlüter®-DILEX-AHK-AC/E 135°

Buitenhoek 135°

Art.-No.	€ / St.	P (st.)
E135 / AHK 1S / ...*	27,08	50

Art.-No. aanvullen met oppervlak/kleur (bijv. E135 / AHK 1S / BW)

\* Oppervlakken/kleuren: BW - MBW - MGS

\*\* Oppervlakken/kleuren: ACG - ACGB - AE

Een overzicht van de oppervlakken en kleuren vindt u vanaf pagina 340.



### Schlüter®-DILEX-AHK/I

Binnenhoek 90°

Art.-No.	€ / St.	P (st.)
I90 / AHK 1S / ...**	27,09	50

### Schlüter®-DILEX-AHK-AC/I

Binnenhoek 90°

Art.-No.	€ / St.	P (st.)
I90 / AHK 1S / ...*	27,08	50

### Schlüter®-DILEX-AHK/V

Verbindingsstuk

Art.-No.	€ / St.	P (st.)
V / AHK	4,20	50

### Schlüter®-DILEX-AHK/I 135°

Binnenhoek 135°

Art.-No.	€ / St.	P (st.)
I135 / AHK 1S / ...**	27,09	50

### Schlüter®-DILEX-AHK-AC/I 135°

Binnenhoek 135°

Art.-No.	€ / St.	P (st.)
I135 / AHK 1S / ...*	27,08	50

### Schlüter®-DILEX-AHK/EK

Eindkapje

Art.-No.	€ / St.	P (st.)
E / AHK 1S / ...**	17,39	50

### Schlüter®-DILEX-AHK-AC/EK

Eindkapje

Art.-No.	€ / St.	P (st.)
E / AHK 1S / ...*	20,46	50



Art.-No. aanvullen met oppervlak/kleur (bijv. E / AHK 1S / BW)



\* Oppervlakken/kleuren: BW - MBW - MGS

\*\* Oppervlakken/kleuren: ACG - ACGB - AE

Een overzicht van de oppervlakken en kleuren vindt u vanaf pagina 340.

## Holplintprofiel

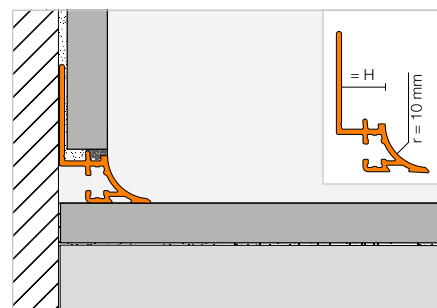


### Schlüter®-DILEX-AHKA



Schlüter-DILEX-AHKA is een aluminium holplintprofiel voor inwendige hoeken van wanden, keukenwerkbladen of plateaus, die een keramische bekleding krijgen. Het is verkrijgbaar in diverse geanodiseerde oppervlakken of in kleurgecoat aluminium en kan eenzijdig aangesloten worden op een bestaande bekleding.

(Productdatablad 4.21)



### Schlüter®-DILEX-AHKA-AE

Alu. bruut mat geanodiseerd

H (mm)	L = 2,50 m Art.-No.	€ / m	KV (st.)
8	AHKA 80 AE	20,40	40
10	AHKA 100 AE	21,19	40
12,5	AHKA 125 AE	22,04	40
15	AHKA 150 AE	22,67	40

### Schlüter®-DILEX-AHKA-ACGB

Alu. chroom geborsteld geanodiseerd

H (mm)	L = 2,50 m Art.-No.	€ / m	KV (st.)
8	AHKA 80 ACGB	30,01	40
10	AHKA 100 ACGB	30,77	40
12,5	AHKA 125 ACGB	31,74	40
15	AHKA 150 ACGB	32,73	40

### Schlüter®-DILEX-AHKA-AC

Alu. met kleurcoating

H (mm)	L = 2,50 m Art.-No.	€ / m	KV (st.)
8	AHKA 80 ...*	19,99	40
10	AHKA 100 ...*	21,01	40
12,5	AHKA 125 ...*	22,04	40
15	AHKA 150 ...*	23,06	40



## Hoek | Eindkapje

**Schlüter®-DILEX-AHKA/E**

Buitenhoek 90°

Art.-No.	€ / St.	P (st.)
E90 / AHKA / ...**	<b>27,09</b>	50

**Schlüter®-DILEX-AHKA-AC/E**

Buitenhoek 90°

Art.-No.	€ / St.	P (st.)
E90 / AHKA / ...*	<b>27,08</b>	50

**Schlüter®-DILEX-AHKA/I**

Binnenhoek 90°

Art.-No.	€ / St.	P (st.)
I90 / AHKA / ...**	<b>27,09</b>	50

**Schlüter®-DILEX-AHKA-AC/I**

Binnenhoek 90°

Art.-No.	€ / St.	P (st.)
I90 / AHKA / ...*	<b>27,08</b>	50

**Schlüter®-DILEX-AHKA/EL**

Eindkapje, links

Art.-No.	€ / St.	P (st.)
EL / AHKA / ...**	<b>17,39</b>	50

**Schlüter®-DILEX-AHKA-AC/EL**

Eindkapje, links

Art.-No.	€ / St.	P (st.)
EL / AHKA / ...*	<b>20,46</b>	50

**Schlüter®-DILEX-AHKA/E 135°**

Buitenhoek 135°

Art.-No.	€ / St.	P (st.)
E135 / AHKA / ...**	<b>27,09</b>	50

**Schlüter®-DILEX-AHKA-AC/E 135°**

Buitenhoek 135°

Art.-No.	€ / St.	P (st.)
E135 / AHKA / ...*	<b>27,08</b>	50

**Schlüter®-DILEX-AHKA/I 135°**

Binnenhoek 135°

Art.-No.	€ / St.	P (st.)
I135 / AHKA / ...**	<b>27,09</b>	50

**Schlüter®-DILEX-AHKA-AC/I 135°**

Binnenhoek 135°

Art.-No.	€ / St.	P (st.)
I135 / AHKA / ...*	<b>27,08</b>	50

**Schlüter®-DILEX-AHKA/ER**

Eindkapje, rechts

Art.-No.	€ / St.	P (st.)
ER / AHKA / ...**	<b>17,39</b>	50

**Schlüter®-DILEX-AHKA-AC/ER**

Eindkapje, rechts

Art.-No.	€ / St.	P (st.)
ER / AHKA / ...*	<b>20,46</b>	50



E90 / AHKA

E135 / AHKA

I90 / AHKA

I135 / AHKA

ER / AHKA

EL / AHKA

**Art.-No. aanvullen met oppervlak/kleur (bijv. EL / AHKA / BW)**

BW

MBW

MGS

\* Oppervlakken/kleuren: BW - MBW - MGS

\*\* Oppervlakken/kleuren: ACGB - AE

Een overzicht van de oppervlakken en kleuren vindt u vanaf pagina 340.





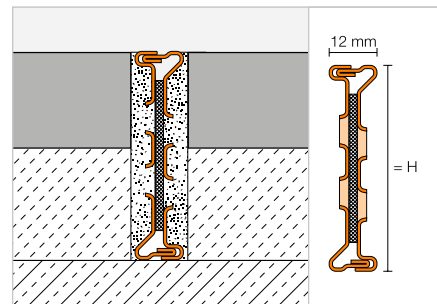


## Bewegingsvoegprofiel

### Schlüter®-DILEX-EMP



Schlüter-DILEX-EMP is een roestvaststalen bewegingsvoegprofiel voor in het mortelbed gelegde vloeren en kan door een groef-mes-verbinding horizontale bewegingen opvangen. (Productdatablad 4.17)



#### Schlüter®-DILEX-EMP

Roestvast staal V2A

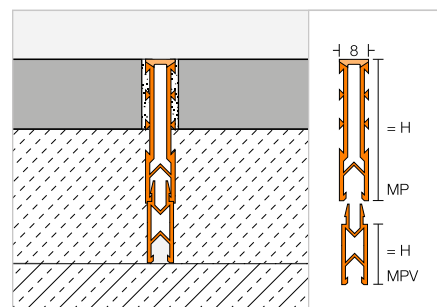
H (mm)	L = 2,50 m Art.-No.	€ / m	KV (st.)
35	EMP 35	38,52	60
50	EMP 50	43,84	60
65	EMP 65	49,20	60

## Uitzettingsvoegprofiel | Ophoogstuk

### Schlüter®-DILEX-MP



Schlüter-DILEX-MP is een uitzettingsvoegprofiel met ingesneden zijanten van hard-PVC-regeneraat en een zijkant-overlappende bewegingszone van zachte CPE met ophoogprofielen voor de inbouw in mortelbed gelegde vloeren. (Productdatablad 4.3)



#### Schlüter®-DILEX-MP 35

PVC / CPE

H (mm)	L = 2,50 m Art.-No.	€ / m	KV (st.)
35	MP 35 ...*	5,65	120

#### Schlüter®-DILEX-MP/V

Ophoogstuk

H (mm)	L = 2,50 m Art.-No.	€ / m	KV (st.)
15	MPV 15	3,27	120
25	MPV 25	3,45	120

#### Art.-No. kleur toevoegen (bijv. MP 35 GS)



\* Kleuren: G - GS - HB

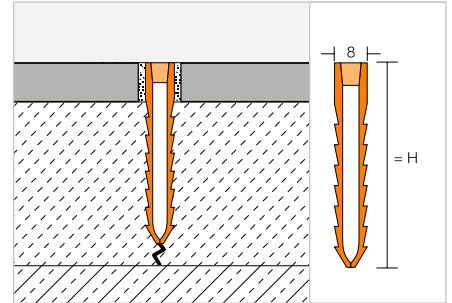
Een overzicht van de oppervlakken en kleuren vindt u vanaf pagina 340.

## Uitzettingsvoegprofiel

## Schlüter®-DILEX-MOP



Schlüter-DILEX-MOP is een uitzettingsvoegprofiel met stabiele, getande zijanten van hard-PVC-regeneraat en een tussen de zijanten aangebrachte bewegingszone van grijze, zachte PVC voor de inbouw in mortelbed gelegde vloeren.  
(Productdatablad 4.4)



## Schlüter®-DILEX-MOP

PVC

H (mm)	L = 2,50 m Art.-No.	€ / m	KV (st.)
★ 25	MOP 25 ...*	4,05	120
35	MOP 35 ...*	4,22	120
50	MOP 50 ...*	5,43	120
65	MOP 65 ...*	6,01	120

Art.-No. kleur toevoegen (bijv. MOP 25 DA)



\* Kleuren: DA - G - GS

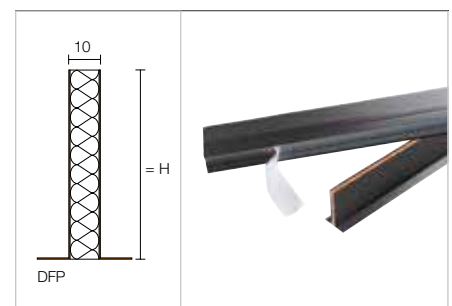
Een overzicht van de oppervlakken en kleuren vindt u vanaf pagina 340.

## Uitzettingsvoegprofiel voor dekvloer

## Schlüter®-DILEX-DFP



Schlüter-DILEX-DFP is een uitzettingsvoegprofiel met klevende voet voor de inbouw aan deuren of om de dekvloer in velden te verdelen.  
(Productdatablad 9.1)



## Schlüter®-DILEX-DFP

PE-schuim

H (mm)	L = 2,50 m Art.-No.	€ / m	KV (st.)
100	DFP 10/250	17,59	40

## Schlüter®-DILEX-DFP

PE-schuim

H (mm)	L = 1,00 m Art.-No.	€ / m	P (st.)
60	DFP 6/100	13,30	20
80	DFP 8/100	15,63	20
100	DFP 10/100	18,21	20



# Schlüter-profielen voor Vinyl & Co.

## Profielen voor elastische wand- en vloerbekledingen

Steeds meer tegelzeters en handelaars breiden hun assortiment uit met elastische bekledingen, zoals bijv. vinyl. Als uitvinder van de originele Schlüter-SCHIENE, bieden wij met Schlüter-VINPRO een assortiment voor solide afsluitingen en overgangen van elastische bekledingen. Op de vloer, aan de wand of op de trap: met Schlüter-VINPRO is er ook Schlüter-kwaliteit voor elastische bekledingen.





## Overgangsprofielen

Schlüter®-VINPRO-T 156

Schlüter®-VINPRO-U 157

## Afsluitprofielen

Schlüter®-VINPRO-S 158

Schlüter®-VINPRO-RO 159

## Trapprofielen

Schlüter®-VINPRO-STEP 160

Schlüter®-VINPRO-STEP-R 161



# Schlüter®-VINPRO

Profielen voor elastische bekledingen

- ✓ Beschermen bekledingsranden op de vloer, aan de wand en op de trap
- ✓ Snel en eenvoudig in te bouwen
- ✓ Voorkomen struikelgevaar bij overgangen tussen verschillende vloerbekledingen en hoogtes
- ✓ Verkrijgbaar in de oppervlakken:
  - alu. chroom geborsteld geanodiseerd (ACGB)
  - alu. titanium geborsteld geanodiseerd (ATGB)
  - alu. antiek brons geborsteld geanodiseerd (ABGB)

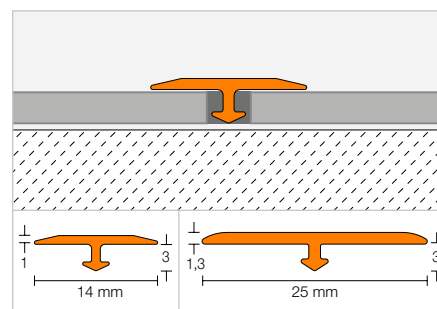


## Overgangsprofiel

### Schlüter®-VINPRO-T



Schlüter-VINPRO-T is een profiel dat achteraf wordt geplaatst als overgang tussen op gelijke hoogte aan elkaar grenzende, elastische vloerbekledingen (bijv. LVT, designbekleding). (Productdatablad 18.2)



#### Schlüter®-VINPRO-T-ACGB

Alu. chroom geborsteld geanodiseerd

H (mm)	B (mm)	L = 2,50 m Art.-No.	€ / m	KV (st.)
3	14	VPT 3/14 ACGB	5,88	120
3	25	VPTL 3/25 ACGB	6,61	120

#### Schlüter®-VINPRO-T-ATGB

Alu. titanium geborsteld geanodiseerd

H (mm)	B (mm)	L = 2,50 m Art.-No.	€ / m	KV (st.)
3	14	VPT 3/14 ATGB	5,88	120
3	25	VPTL 3/25 ATGB	6,61	120

#### Schlüter®-VINPRO-T-ABGB

Alu. antiek brons geborsteld geanodiseerd

H (mm)	B (mm)	L = 2,50 m Art.-No.	€ / m	KV (st.)
3	14	VPT 3/14 ABGB	5,88	120
3	25	VPTL 3/25 ABGB	6,61	120

Een overzicht van de oppervlakken en kleuren vindt u vanaf pagina 340.



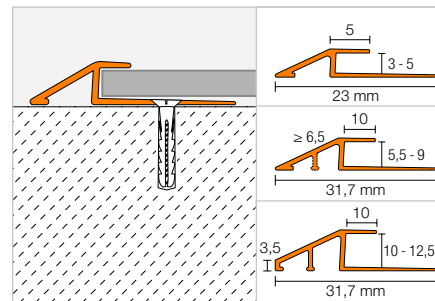
## Overgangsprofiel

## Schlüter®-VINPRO-U



Schlüter-VINPRO-U is een profiel voor een traploze overgang van een elastische vloerbekleding (bijv. LVT, designbekleding) naar een aangrenzende, lager gelegen vloerbekleding of beton.

(Productdatablad 18.3)



## Schlüter®-VINPRO-U-ACGB

Alu. chroom geborsteld geanodiseerd

H (mm)	L = 2,50 m Art.-No.	€ / m	KV (st.)
3	VPU 30 ACGB	<b>9,83</b>	120
4	VPU 40 ACGB	<b>10,01</b>	120
5	VPU 50 ACGB	<b>10,33</b>	120
5,5	VPUL 55 ACGB	<b>10,55</b>	120
6	VPUL 60 ACGB	<b>11,18</b>	120
6,5	VPUL 65 ACGB	<b>11,59</b>	120
7	VPUL 70 ACGB	<b>12,18</b>	120
7,5	VPUL 75 ACGB	<b>12,76</b>	120
8	VPUL 80 ACGB	<b>13,62</b>	120
8,5	VPUL 85 ACGB	<b>14,49</b>	120
9	VPUL 90 ACGB	<b>15,35</b>	120
10	VPUL 100 ACGB	<b>16,23</b>	120
11	VPUL 110 ACGB	<b>17,10</b>	120
12,5	VPUL 125 ACGB	<b>17,97</b>	120

## Schlüter®-VINPRO-U-ATGB

Alu. titanium geborsteld geanodiseerd

H (mm)	L = 2,50 m Art.-No.	€ / m	KV (st.)
3	VPU 30 ATGB	<b>9,83</b>	120
4	VPU 40 ATGB	<b>10,01</b>	120
5	VPU 50 ATGB	<b>10,33</b>	120
5,5	VPUL 55 ATGB	<b>10,55</b>	120
6	VPUL 60 ATGB	<b>11,18</b>	120
6,5	VPUL 65 ATGB	<b>11,59</b>	120
7	VPUL 70 ATGB	<b>12,18</b>	120
7,5	VPUL 75 ATGB	<b>12,76</b>	120
8	VPUL 80 ATGB	<b>13,62</b>	120
8,5	VPUL 85 ATGB	<b>14,49</b>	120
9	VPUL 90 ATGB	<b>15,35</b>	120
10	VPUL 100 ATGB	<b>16,23</b>	120
11	VPUL 110 ATGB	<b>17,10</b>	120
12,5	VPUL 125 ATGB	<b>17,97</b>	120

## Schlüter®-VINPRO-U-ABGB

Alu. antiek brons geborsteld geanodiseerd

H (mm)	L = 2,50 m Art.-No.	€ / m	KV (st.)
3	VPU 30 ABGB	<b>9,83</b>	120
4	VPU 40 ABGB	<b>10,01</b>	120
5	VPU 50 ABGB	<b>10,33</b>	120
5,5	VPUL 55 ABGB	<b>10,55</b>	120
6	VPUL 60 ABGB	<b>11,18</b>	120
6,5	VPUL 65 ABGB	<b>11,59</b>	120
7	VPUL 70 ABGB	<b>12,18</b>	120
7,5	VPUL 75 ABGB	<b>12,76</b>	120
8	VPUL 80 ABGB	<b>13,62</b>	120
8,5	VPUL 85 ABGB	<b>14,49</b>	120
9	VPUL 90 ABGB	<b>15,35</b>	120
10	VPUL 100 ABGB	<b>16,23</b>	120
11	VPUL 110 ABGB	<b>17,10</b>	120
12,5	VPUL 125 ABGB	<b>17,97</b>	120

Een overzicht van de oppervlakken en kleuren vindt u vanaf pagina 340.



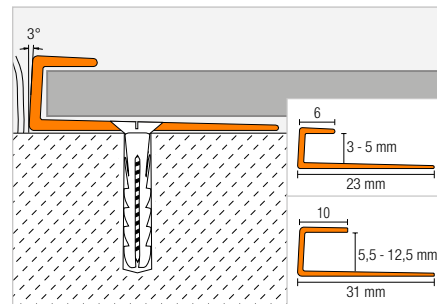
## Afsluitprofiel

### Schlüter®-VINPRO-S



Schlüter-VINPRO-S is een profiel voor de omranding van elastische bekledingen (bijv. LVT, designbekleding). Het biedt een randbescherming bij het afwerken van een bekleding met een aangrenzende bekleding van dezelfde of vergelijkbare hoogte of als afsluitrand van plinten.

(Productdatablad 18.1)



#### Schlüter®-VINPRO-S-ACGB

Alu. chroom geborsteld geanodiseerd

H (mm)	L = 2,50 m Art.-No.	€ / m	KV (st.)
3	VPS 30 ACGB	<b>8,76</b>	120
4	VPS 40 ACGB	<b>8,83</b>	120
5	VPS 50 ACGB	<b>8,90</b>	120
5,5	VPSL 55 ACGB	<b>9,28</b>	120
6	VPSL 60 ACGB	<b>9,61</b>	120
6,5	VPSL 65 ACGB	<b>9,97</b>	120
7	VPSL 70 ACGB	<b>10,32</b>	120
7,5	VPSL 75 ACGB	<b>10,66</b>	120
8	VPSL 80 ACGB	<b>11,01</b>	120
8,5	VPSL 85 ACGB	<b>11,37</b>	120
9	VPSL 90 ACGB	<b>11,71</b>	120
10	VPSL 100 ACGB	<b>12,05</b>	120
11	VPSL 110 ACGB	<b>12,40</b>	120
12,5	VPSL 125 ACGB	<b>12,76</b>	120

#### Schlüter®-VINPRO-S-ATGB

Alu. titanium geborsteld geanodiseerd

H (mm)	L = 2,50 m Art.-No.	€ / m	KV (st.)
3	VPS 30 ATGB	<b>8,76</b>	120
4	VPS 40 ATGB	<b>8,83</b>	120
5	VPS 50 ATGB	<b>8,90</b>	120
5,5	VPSL 55 ATGB	<b>9,28</b>	120
6	VPSL 60 ATGB	<b>9,61</b>	120
6,5	VPSL 65 ATGB	<b>9,97</b>	120
7	VPSL 70 ATGB	<b>10,32</b>	120
7,5	VPSL 75 ATGB	<b>10,66</b>	120
8	VPSL 80 ATGB	<b>11,01</b>	120
8,5	VPSL 85 ATGB	<b>11,37</b>	120
9	VPSL 90 ATGB	<b>11,71</b>	120
10	VPSL 100 ATGB	<b>12,05</b>	120
11	VPSL 110 ATGB	<b>12,40</b>	120
12,5	VPSL 125 ATGB	<b>12,76</b>	120

#### Schlüter®-VINPRO-S-ABGB

Alu. antiek brons geborsteld geanodiseerd

H (mm)	L = 2,50 m Art.-No.	€ / m	KV (st.)
3	VPS 30 ABGB	<b>8,76</b>	120
4	VPS 40 ABGB	<b>8,83</b>	120
5	VPS 50 ABGB	<b>8,90</b>	120
5,5	VPSL 55 ABGB	<b>9,28</b>	120
6	VPSL 60 ABGB	<b>9,61</b>	120
6,5	VPSL 65 ABGB	<b>9,97</b>	120
7	VPSL 70 ABGB	<b>10,32</b>	120
7,5	VPSL 75 ABGB	<b>10,66</b>	120
8	VPSL 80 ABGB	<b>11,01</b>	120
8,5	VPSL 85 ABGB	<b>11,37</b>	120
9	VPSL 90 ABGB	<b>11,71</b>	120
10	VPSL 100 ABGB	<b>12,05</b>	120
11	VPSL 110 ABGB	<b>12,40</b>	120
12,5	VPSL 125 ABGB	<b>12,76</b>	120

Een overzicht van de oppervlakken en kleuren vindt u vanaf pagina 340.



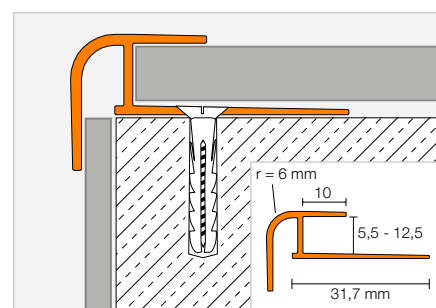
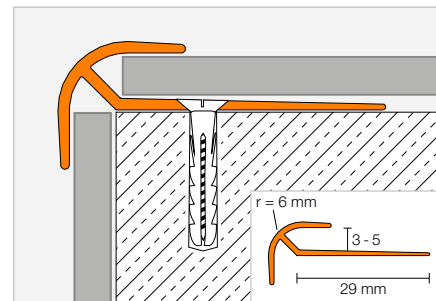
Voorbeeld: wandafsluiting

## Afsluitprofiel

## Schlüter®-VINPRO-RO



Schlüter-VINPRO-RO is een afsluit- en randbeschermingsprofiel, waarmee een symmetrisch afgeronde buitenhoek aan een wand met elastische bekledingen (bijv. LVT, designbekleding) kan worden gemaakt. (Productdatablad 18.5)



## Schlüter®-VINPRO-RO-ACGB

Alu. chroom geborsteld geanodiseerd

H (mm)	L = 2,50 m Art.-No.	€ / m	KV (st.)
3	VPRO 30 ACGB	<b>10,33</b>	120
4	VPRO 40 ACGB	<b>10,64</b>	120
5	VPRO 50 ACGB	<b>10,96</b>	120
5,5	VPROL 55 ACGB	<b>11,30</b>	120
6	VPROL 60 ACGB	<b>12,18</b>	120
6,5	VPROL 65 ACGB	<b>13,04</b>	120
7	VPROL 70 ACGB	<b>13,62</b>	120
7,5	VPROL 75 ACGB	<b>14,20</b>	120
8	VPROL 80 ACGB	<b>14,78</b>	120
8,5	VPROL 85 ACGB	<b>15,35</b>	120
9	VPROL 90 ACGB	<b>15,94</b>	120
10	VPROL 100 ACGB	<b>16,52</b>	120
11	VPROL 110 ACGB	<b>17,10</b>	120
12,5	VPROL 125 ACGB	<b>17,67</b>	120

## Schlüter®-VINPRO-RO-ATGB

Alu. titanium geborsteld geanodiseerd

H (mm)	L = 2,50 m Art.-No.	€ / m	KV (st.)
3	VPRO 30 ATGB	<b>10,33</b>	120
4	VPRO 40 ATGB	<b>10,64</b>	120
5	VPRO 50 ATGB	<b>10,96</b>	120
5,5	VPROL 55 ATGB	<b>11,30</b>	120
6	VPROL 60 ATGB	<b>12,18</b>	120
6,5	VPROL 65 ATGB	<b>13,04</b>	120
7	VPROL 70 ATGB	<b>13,62</b>	120
7,5	VPROL 75 ATGB	<b>14,20</b>	120
8	VPROL 80 ATGB	<b>14,78</b>	120
8,5	VPROL 85 ATGB	<b>15,35</b>	120
9	VPROL 90 ATGB	<b>15,94</b>	120
10	VPROL 100 ATGB	<b>16,52</b>	120
11	VPROL 110 ATGB	<b>17,10</b>	120
12,5	VPROL 125 ATGB	<b>17,67</b>	120

## Schlüter®-VINPRO-RO-ABGB

Alu. antiek brons geborsteld geanodiseerd

H (mm)	L = 2,50 m Art.-No.	€ / m	KV (st.)
3	VPRO 30 ABGB	<b>10,33</b>	120
4	VPRO 40 ABGB	<b>10,64</b>	120
5	VPRO 50 ABGB	<b>10,96</b>	120
5,5	VPROL 55 ABGB	<b>11,30</b>	120
6	VPROL 60 ABGB	<b>12,18</b>	120
6,5	VPROL 65 ABGB	<b>13,04</b>	120
7	VPROL 70 ABGB	<b>13,62</b>	120
7,5	VPROL 75 ABGB	<b>14,20</b>	120
8	VPROL 80 ABGB	<b>14,78</b>	120
8,5	VPROL 85 ABGB	<b>15,35</b>	120
9	VPROL 90 ABGB	<b>15,94</b>	120
10	VPROL 100 ABGB	<b>16,52</b>	120
11	VPROL 110 ABGB	<b>17,10</b>	120
12,5	VPROL 125 ABGB	<b>17,67</b>	120

Een overzicht van de oppervlakken en kleuren vindt u vanaf pagina 340.

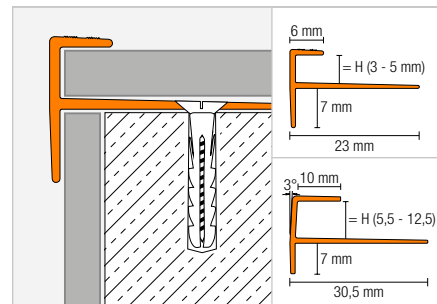


## Trapprofiel

### Schlüter®-VINPRO-STEP



Schlüter-VINPRO-STEP is een afsluit- en randbeschermingsprofiel voor elastische bekledingen (bijv. LVT, designbekleding) op trappen. Het profiel is rechthoekig van vorm met een geribbeld antislip oppervlak.  
(Productdatablad 18.4)



### Schlüter®-VINPRO-STEP-ACGB

Alu. chroom geborsteld geanodiseerd

H (mm)	L = 2,50 m Art.-No.	€ / m	KV (st.)
3	VPST 30 ACGB	<b>10,38</b>	120
4	VPST 40 ACGB	<b>10,64</b>	120
5	VPST 50 ACGB	<b>10,96</b>	120
5,5	VPSTL 55 ACGB	<b>11,88</b>	120
6	VPSTL 60 ACGB	<b>12,29</b>	120
6,5	VPSTL 65 ACGB	<b>12,69</b>	120
7	VPSTL 70 ACGB	<b>13,10</b>	120
7,5	VPSTL 75 ACGB	<b>13,50</b>	120
8	VPSTL 80 ACGB	<b>13,91</b>	120
8,5	VPSTL 85 ACGB	<b>14,32</b>	120
9	VPSTL 90 ACGB	<b>14,72</b>	120
10	VPSTL 100 ACGB	<b>15,18</b>	120
11	VPSTL 110 ACGB	<b>15,42</b>	120
12,5	VPSTL 125 ACGB	<b>15,76</b>	120

### Schlüter®-VINPRO-STEP-ATGB

Alu. titanium geborsteld geanodiseerd

H (mm)	L = 2,50 m Art.-No.	€ / m	KV (st.)
3	VPST 30 ATGB	<b>10,38</b>	120
4	VPST 40 ATGB	<b>10,64</b>	120
5	VPST 50 ATGB	<b>10,96</b>	120
5,5	VPSTL 55 ATGB	<b>11,88</b>	120
6	VPSTL 60 ATGB	<b>12,29</b>	120
6,5	VPSTL 65 ATGB	<b>12,69</b>	120
7	VPSTL 70 ATGB	<b>13,10</b>	120
7,5	VPSTL 75 ATGB	<b>13,50</b>	120
8	VPSTL 80 ATGB	<b>13,91</b>	120
8,5	VPSTL 85 ATGB	<b>14,32</b>	120
9	VPSTL 90 ATGB	<b>14,72</b>	120
10	VPSTL 100 ATGB	<b>15,18</b>	120
11	VPSTL 110 ATGB	<b>15,42</b>	120
12,5	VPSTL 125 ATGB	<b>15,76</b>	120

### Schlüter®-VINPRO-STEP-ABGB

Alu. antiek brons geborsteld geanodiseerd

H (mm)	L = 2,50 m Art.-No.	€ / m	KV (st.)
3	VPST 30 ABGB	<b>10,38</b>	120
4	VPST 40 ABGB	<b>10,64</b>	120
5	VPST 50 ABGB	<b>10,96</b>	120
5,5	VPSTL 55 ABGB	<b>11,88</b>	120
6	VPSTL 60 ABGB	<b>12,29</b>	120
6,5	VPSTL 65 ABGB	<b>12,69</b>	120
7	VPSTL 70 ABGB	<b>13,10</b>	120
7,5	VPSTL 75 ABGB	<b>13,50</b>	120
8	VPSTL 80 ABGB	<b>13,91</b>	120
8,5	VPSTL 85 ABGB	<b>14,32</b>	120
9	VPSTL 90 ABGB	<b>14,72</b>	120
10	VPSTL 100 ABGB	<b>15,18</b>	120
11	VPSTL 110 ABGB	<b>15,42</b>	120
12,5	VPSTL 125 ABGB	<b>15,76</b>	120

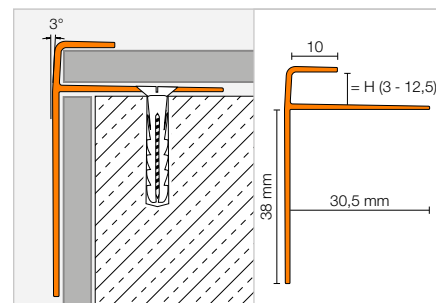
Een overzicht van de oppervlakken en kleuren vindt u vanaf pagina 340.

## Trapprofiel

**Schlüter®-VINPRO-STEP-R**


Schlüter-VINPRO-STEP-R is een afsluit- en randprofiel voor de inbouw van elastische bekledingen (bijv. LVT, designbekleding) op trappen. Het bovenste deel van het profiel heeft een 10 mm breed, afgeschuind afdekvlak met een afgeronde voorzijde die de snijrand van de elastische vloerbekleding verbergt.

Het verlengde verticale gedeelte aan het stootbord zorgt voor een betere zichtbaarheid. Voor het schroeven van VINPRO-STEP-R is het tapse bevestigingsvlak voorzien van gaten die gelijkmatig over de lengte van het profiel zijn verdeeld. Het bevestigingsvlak kan ook met een montagelijm, zoals Schlüter-KERDI-FIX, op de ondergrond worden vastgelijmd. (Productdatablad 18.4)


**Schlüter®-VINPRO-STEP-R-ACGB**

Alu. chroom geborsteld geanodiseerd

H (mm)	L = 2,50 m Art.-No.	€ / m	KV (st.)
3	VPSTRL 30 ACGB	<b>15,35</b>	120
4	VPSTRL 40 ACGB	<b>15,64</b>	120
5	VPSTRL 50 ACGB	<b>15,76</b>	120
5,5	VPSTRL 55 ACGB	<b>15,94</b>	120
6	VPSTRL 60 ACGB	<b>16,23</b>	120
6,5	VPSTRL 65 ACGB	<b>16,81</b>	120
7	VPSTRL 70 ACGB	<b>17,39</b>	120
7,5	VPSTRL 75 ACGB	<b>17,97</b>	120
8	VPSTRL 80 ACGB	<b>18,54</b>	120
8,5	VPSTRL 85 ACGB	<b>19,13</b>	120
9	VPSTRL 90 ACGB	<b>19,71</b>	120
10	VPSTRL 100 ACGB	<b>20,28</b>	120
11	VPSTRL 110 ACGB	<b>20,87</b>	120
12,5	VPSTRL 125 ACGB	<b>21,74</b>	120

**Schlüter®-VINPRO-STEP-R-ATGB**

Alu. titanium geborsteld geanodiseerd

H (mm)	L = 2,50 m Art.-No.	€ / m	KV (st.)
3	VPSTRL 30 ATGB	<b>15,35</b>	120
4	VPSTRL 40 ATGB	<b>15,64</b>	120
5	VPSTRL 50 ATGB	<b>15,76</b>	120
5,5	VPSTRL 55 ATGB	<b>15,94</b>	120
6	VPSTRL 60 ATGB	<b>16,23</b>	120
6,5	VPSTRL 65 ATGB	<b>16,81</b>	120
7	VPSTRL 70 ATGB	<b>17,39</b>	120
7,5	VPSTRL 75 ATGB	<b>17,97</b>	120
8	VPSTRL 80 ATGB	<b>18,54</b>	120
8,5	VPSTRL 85 ATGB	<b>19,13</b>	120
9	VPSTRL 90 ATGB	<b>19,71</b>	120
10	VPSTRL 100 ATGB	<b>20,28</b>	120
11	VPSTRL 110 ATGB	<b>20,87</b>	120
12,5	VPSTRL 125 ATGB	<b>21,74</b>	120

**Schlüter®-VINPRO-STEP-R-ABGB**

Alu. antiek brons geborsteld geanodiseerd

H (mm)	L = 2,50 m Art.-No.	€ / m	KV (st.)
3	VPSTRL 30 ABGB	<b>15,35</b>	120
4	VPSTRL 40 ABGB	<b>15,64</b>	120
5	VPSTRL 50 ABGB	<b>15,76</b>	120
5,5	VPSTRL 55 ABGB	<b>15,94</b>	120
6	VPSTRL 60 ABGB	<b>16,23</b>	120
6,5	VPSTRL 65 ABGB	<b>16,81</b>	120
7	VPSTRL 70 ABGB	<b>17,39</b>	120
7,5	VPSTRL 75 ABGB	<b>17,97</b>	120
8	VPSTRL 80 ABGB	<b>18,54</b>	120
8,5	VPSTRL 85 ABGB	<b>19,13</b>	120
9	VPSTRL 90 ABGB	<b>19,71</b>	120
10	VPSTRL 100 ABGB	<b>20,28</b>	120
11	VPSTRL 110 ABGB	<b>20,87</b>	120
12,5	VPSTRL 125 ABGB	<b>21,74</b>	120

Een overzicht van de oppervlakken en kleuren vindt u vanaf pagina 340.

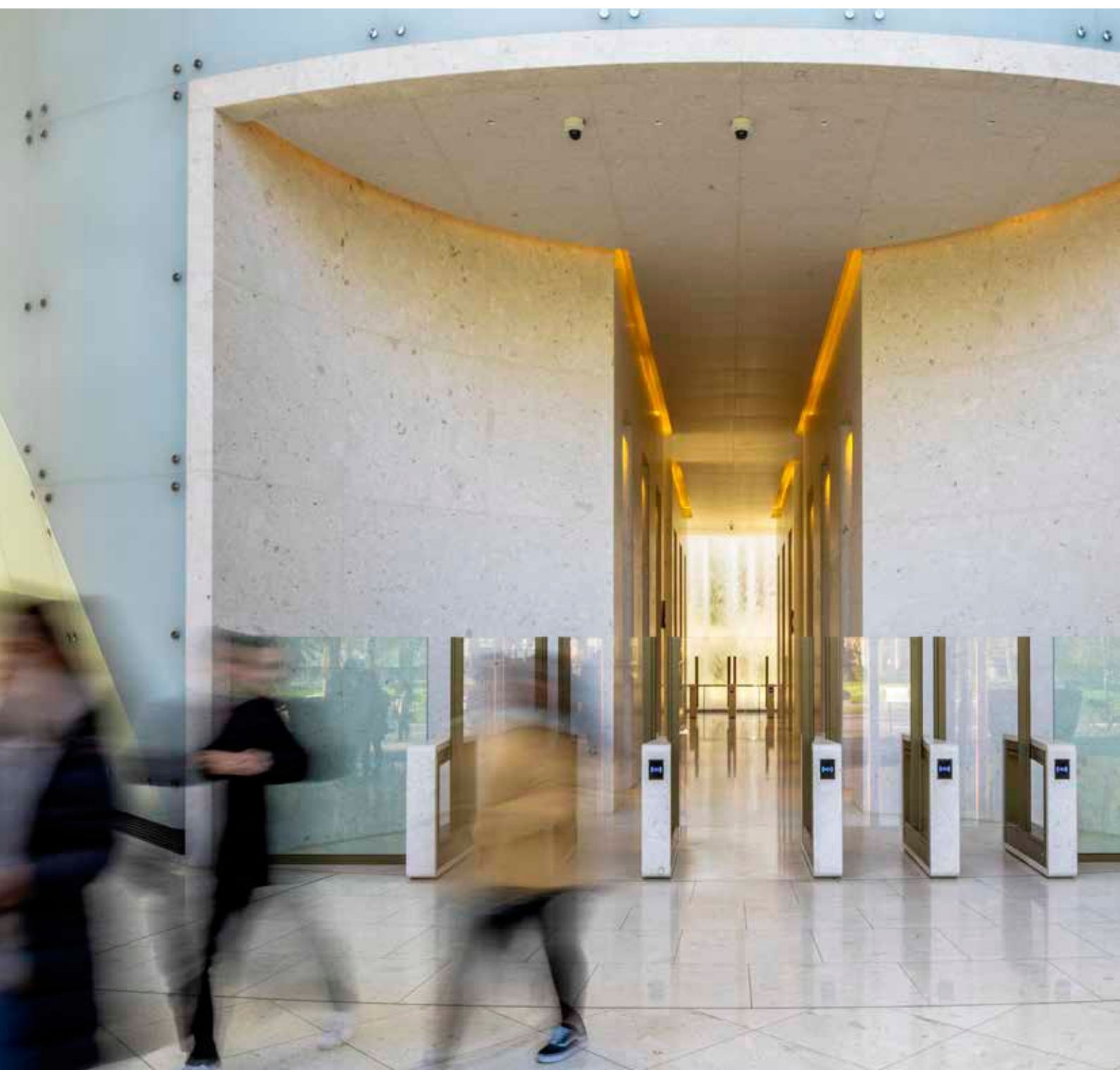




# Schlüter®-DITRA

Afdichting, ontkoppeling, hechtende drainage,  
verwarming, contactgeluidsisolatie

Ontkoppelingsmatten en contactafdichtingen uit de Schlüter-DITRA productfamilie worden al decennialang wereldwijd met succes gebruikt. Ze maken het plaatsen van tegels ook in moeilijke situaties mogelijk – en nu ook met een snel te plaatsen, zelfklevende variant. Zo wordt de bekleding bijv. ontkoppeld en langs onder verlucht dankzij de eerste, capillair passieve hechtende drainage Schlüter-DITRA-DRAIN waardoor een betrouwbare en snelle droging van de tegellijm ontstaat, ook onder grootformaat tegels. Schlüter-DITRA-HEAT-E biedt ook een snelle en prijsgunstige elektrische temperatuurregeling van doelgerichte bekledingsvlakken.





## Ontkoppeling

Schlüter®-DITRA	165
Schlüter®-DITRA-PS	167

## Ontkoppeling en verwarming

Schlüter®-DITRA-HEAT	169
Schlüter®-DITRA-HEAT-DUO	169
Schlüter®-DITRA-HEAT-PS	171
Schlüter®-DITRA-HEAT-DUO-PS	171
Schlüter®-DITRA-HEAT-E – complete sets	176–177
Schlüter®-DITRA-HEAT-E-DUO – complete sets	178–179

## Verwarmingskabel

Schlüter®-DITRA-HEAT-E-HK	172
Schlüter®-DITRA-HEAT-E-CHC	173

## Thermostaat

Schlüter®-DITRA-HEAT-E-R	174–175
--------------------------	---------

## Toebehoren

Schlüter®-DITRA-HEAT-E-KARO	175
Schlüter®-DITRA-HEAT-E-CT	175
Schlüter®-DITRA-HEAT-E-ZS	175

## Ontkoppeling en hechtende drainage

Schlüter®-DITRA-DRAIN 4	181
Schlüter®-DITRA-DRAIN 8	181

## Contactgeluidsisolatie

Schlüter®-DITRA-SOUND	183
-----------------------	-----





# Schlüter®-DITRA

Het origineel. Met Easyfill- en Easycut-technologie.

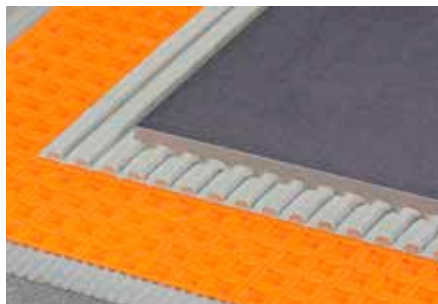


Met haar talrijke functies heeft de DITRA mat zich over de hele wereld bewezen als universele ondergrond voor betegeling. Dankzij de verbeterde geometrie kan DITRA nu nog gemakkelijker worden verwerkt. De voordelen in één oogopslag:

- ✓ **Eenvoudig, zeker en snel te plaatsen**
- ✓ **Easycut-snijraster – eenvoudig en snel op maat te snijden**
- ✓ **Easyfill-design – eenvoudiger opvullen met tegellijm dankzij geïntegreerde luchtgaten**
- ✓ **Verbeterde hechting van de tegellijm dankzij de gewijzigde geometrie**
- ✓ **Eenvoudig afrolbaar**
- ✓ **Beproefde functies:**
  - afdichting
  - ontkoppeling
  - dampdrukniervelling
  - lastverdeling
  - warmtespreiding

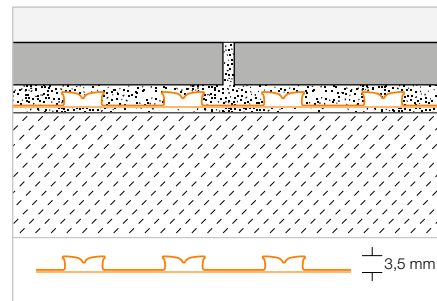
## Ontkoppeling

### Schlüter®-DITRA



Schlüter-DITRA is een polypropyleenmat met zwaluwstaartvormige, kwadratisch verdiepte oppervlakken met een Easyfill-design, die aan de achterzijde is voorzien van een dragende vlieslaag. Het vormt een universele ondergrond voor tegelbekledingen als ont koppelingslaag, contactafdichting en dampdruk nivelleringslaag.

(Productdatablad 6.1)



### Schlüter®-DITRA

Polypropyleen op rol

L x B = m <sup>2</sup>	Art.-No.	€ / m <sup>2</sup>	PL (rol)
5,1 x 0,995 = 5	D 5M	<b>23,18</b>	22
30,2 x 0,995 = 30	D 30M	<b>19,21</b>	6

#### Tip gereedschap:

Schlüter-TROWEL, vertanding 4 x 4, zie pagina 336.







# Schlüter®-DITRA-PS

Nu ook zelfklevend – bespaart tijd en lijm

Handig en snel te verwerken: de nieuwe DITRA-PS met zelfklevend draagvlies kan direct op een geschikte ondergrond worden geplaatst. Dat bespaart niet alleen tijd, maar ook materiaal, omdat er geen lijm-laag onder de mat meer nodig is. Natuurlijk ontkoppelt DITRA-PS net zo betrouwbaar de bekleding van de ondergrond als de klassieke DITRA.

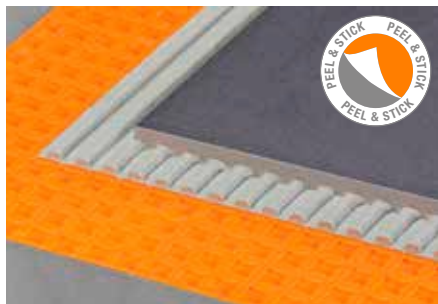
- ✓ Zelfklevend draagvlies
- ✓ Gemakkelijk te herpositioneren tijdens de plaatsing
- ✓ Tijd- en materiaalwinst



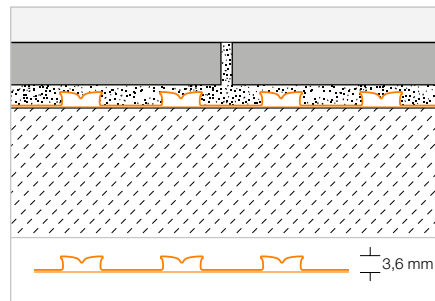


## Zelfklevende ont koppeling

## Schlüter®-DITRA-PS



Schlüter-DITRA-PS is een polypropyleenmat met zwaluwstaartvormige, kwadratisch verdiepte oppervlakken met een Easyfill-design, die aan de achterzijde is voorzien van een zelfklevend draagvlies. De mat is niet waterdoorlatend. Wanneer de beschermfolie is verwijderd, kan DITRA-PS op een geschikte ondergrond worden geplaatst zonder dat er tegellijm moet worden gebruikt en dient zo als ont koppelings- en dampdrukknivelleringslaag. (Productdatablad 6.7)



## Schlüter®-DITRA-PS



Zelfklevende polypropyleen mat

L x B = m <sup>2</sup>	Art.-No.	€ / m <sup>2</sup>	PL (st.)
0,735 x 0,985 = 0,72	D PS MA	<b>29,00</b>	100

## Schlüter®-DITRA-PS



Zelfklevend polypropyleen op rol

L x B = m <sup>2</sup>	Art.-No.	€ / m <sup>2</sup>	PL (rol)
25,4 x 0,985 = 25	D PS 25 M	<b>24,00</b>	6





# Schlüter®-DITRA-HEAT-E

## Warme voeten gegarandeerd

Wie denkt dat elektrische vloer- of wandverwarming een dure luxe is, heeft zonder Schlüter-DITRA-HEAT-E gerekend. De snelle opwarming en precieze tijdsturing maken van warme voeten een betaalbaar genot. Door de handige plaatsing van de verwarmingskabels in de ontkoppelingsmat wordt al veel tijd gewonnen bij de installatie.

- ✓ **Aangenaam woonklimaat, ook geschikt voor mensen met een allergie**
- ✓ **Exacte en precieze sturing.**
- ✓ **Voordelig, duurzaam en onderhoudsvrij**
- ✓ **Nu nog eenvoudiger te snijden en te plaatsen**
- ✓ **Ontkoppelt de bekleding van de ondergrond**
- ✓ **Extra contactgeluidsisolatie met Schlüter-DITRA-HEAT-DUO beschikbaar**
- ✓ **Ook als afdichting geschikt**



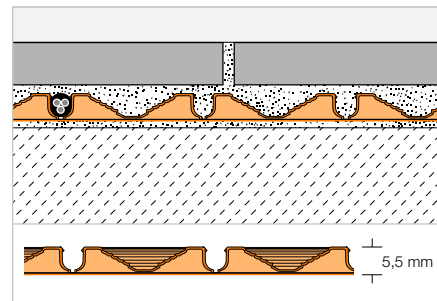
## Ontkoppeling | Verwarming

## Schlüter®-DITRA-HEAT



Schlüter-DITRA-HEAT is een polypropyleenmat met een ingesneden noppenstructuur, die aan de achterzijde van een draagvlies is voorzien. Het is een universele ondergrond voor tegelbekledingen met de functies ontkoppeling, contactafdichting en dampdrukniervelling, en kan de systeemconforme verwarmingskabels voor vloer- en wandverwarming opnemen.

(Productdatablad 6.4)



## Schlüter®-DITRA-HEAT-MA

Polypropyleen mat

L x B = m <sup>2</sup>	Art.-No.	€ / m <sup>2</sup>	PL (st.)
0,8 x 0,98 = 0,78	DH5 MA	<b>24,17</b>	100

**Tip gereedschap:**

Schlüter-TROWEL, vertanding 6 x 6, zie pagina 336.

## Schlüter®-DITRA-HEAT

Polypropyleen op rol

L x B = m <sup>2</sup>	Art.-No.	€ / m <sup>2</sup>	PL (rol)
12,76 x 0,98 = 12,5	DH5 12M	<b>21,48</b>	6

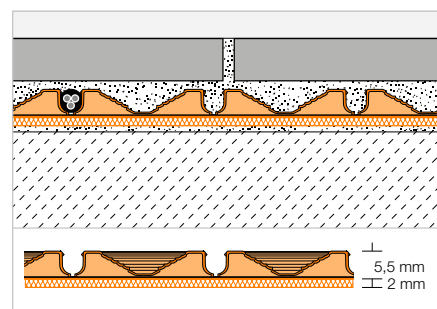
## Ontkoppeling | Verwarming

## Schlüter®-DITRA-HEAT-DUO



Schlüter-DITRA-HEAT-DUO is een polypropyleenmat met een ingesneden noppenstructuur, die aan de achterzijde voorzien is van een 2 mm dik, speciaal draagvlies. Ze vormt een universele ondergrond voor tegelbekleding met de functies contactafdichting, ontkoppeling en dampdrukniervelling, en kan de systeemconforme verwarmingskabels voor vloer- en wandverwarming opnemen. Het speciale, thermische barrièrevlies zorgt naast het verminderen van het contactgeluid van max. 13 dB voor een snellere opwarming van de vloer- en wandbekleding.

(Productdatablad 6.4)



## Schlüter®-DITRA-HEAT-DUO-MA

Polypropyleen mat met 2 mm thermische barrière

L x B = m <sup>2</sup>	Art.-No.	€ / m <sup>2</sup>	PL (st.)
0,8 x 0,98 = 0,78	DH D 8 MA	<b>29,33</b>	100

**Tip gereedschap:**

Schlüter-TROWEL, vertanding 6 x 6, zie pagina 336.

## Schlüter®-DITRA-HEAT-DUO

Polypropyleen op rol met 2 mm thermische barrière

L x B = m <sup>2</sup>	Art.-No.	€ / m <sup>2</sup>	PL (rol)
10,2 x 0,98 = 10	DH D 810 M	<b>26,04</b>	6





# Schlüter®-DITRA-HEAT-PS

Snel gelegd dankzij de Peel & Stick technologie

Wanneer de ondergrond hiervoor geschikt is, is de zelfklevende variant een tijd- en materiaalbesparend alternatief voor de klassieke DITRA-HEAT. Bij het verwerken van de nieuwe DITRA-HEAT-PS (Peel & Stick) is er geen lijmlaag onder de mat meer nodig, omdat het product over een zelfklevend draagvlies beschikt. U bespaart hierdoor dus materiaal en tijd. Alle andere functies van de beproefde DITRA-HEAT blijven behouden.

- ✓ **Zelfklevend draagvlies**
- ✓ **Eenvoudig en snel te plaatsen**
- ✓ **Gemakkelijk te herpositioneren tijdens de plaatsing**
- ✓ **Tijd- en materiaalwinst**
- ✓ **Direct na het plaatsen al begaanbaar**
- ✓ **Ontkoppelt de bekleding van de ondergrond**
- ✓ **Eenvoudige plaatsing van de verwarmingskabels**
- ✓ **Ook verkrijgbaar als DITRA-HEAT-DUO-PS met extra contactgeluidsisolatie en snellere opwarming**





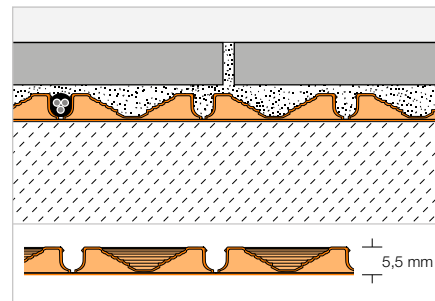
## Zelfklevende ont koppeling | Verwarming

## Schlüter®-DITRA-HEAT-PS



Schlüter-DITRA-HEAT-PS is een polypropyleenmat met een ingesneden noppenstructuur, die aan de achterzijde van een zelfklevend draagvlies is voorzien. Wanneer de beschermfolie is verwijderd, kan DITRA-HEAT-PS op een geschikte ondergrond worden geplaatst zonder dat er tegelijm moet worden gebruikt. De mat is niet waterdoorlatend en dient als opname voor verwarmingskabels, als ont koppeling en als dampdruknivelleringslaag.

(Productdatablad 6.5)



## Schlüter®-DITRA-HEAT-MA-PS

Zelfklevende polypropyleen mat

L x B = m <sup>2</sup>	Art.-No.	€ / m <sup>2</sup>	PL (st.)
0,8 x 0,98 = 0,78	DH PS 5 MA	<b>31,58</b>	100

## Schlüter®-DITRA-HEAT-PS

Zelfklevend polypropyleen op rol

L x B = m <sup>2</sup>	Art.-No.	€ / m <sup>2</sup>	PL (rol)
12,76 x 0,98 = 12,5	DH PS 512 M	<b>27,82</b>	6

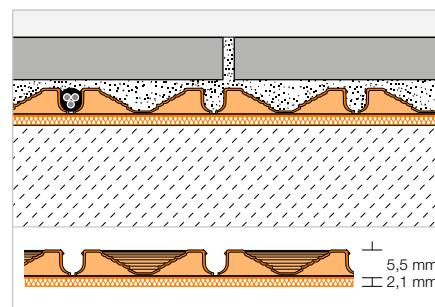
## Zelfklevende ont koppeling | Verwarming

## Schlüter®-DITRA-HEAT-DUO-PS



Schlüter-DITRA-HEAT-DUO-PS is een polypropyleenmat met een ingesneden noppenstructuur, die aan de achterzijde van een 2 mm zelfklevend, geluidsreducerend draagvlies is voorzien. Wanneer de beschermfolie is verwijderd, kan DITRA-HEAT-DUO-PS op een geschikte ondergrond worden geplaatst zonder dat er tegelijm moet worden gebruikt. De mat is niet waterdoorlatend en dient als opname voor verwarmingskabels, als ont koppeling en als dampdruknivelleringslaag. Het speciale vliesweefsel vermindert niet alleen het contactgeluid tot 14 dB, maar zorgt ook voor een snellere opwarming.

(Productdatablad 6.5)



## Schlüter®-DITRA-HEAT-DUO-MA-PS

Zelfklevende polypropyleen mat met 2 mm thermo-vlies

L x B = m <sup>2</sup>	Art.-No.	€ / m <sup>2</sup>	PL (st.)
0,8 x 0,98 = 0,78	DH D PS 8 MA	<b>37,68</b>	100

## Schlüter®-DITRA-HEAT-DUO-PS

Zelfklevend polypropyleen op rol met 2 mm thermo-vlies

L x B = m <sup>2</sup>	Art.-No.	€ / m <sup>2</sup>	PL (rol)
10,2 x 0,98 = 10	DH D PS 810 M	<b>34,19</b>	6

## Opmerking:

DITRA-HEAT-PS/-DUO-PS zijn waterdicht en kunnen in badkamers worden toegepast, als de stootnaden van de matten worden afgedicht met KERDI-KEBA en KERDI-COLL. Er is geen certificering conform ETA (European Technical Assessment) of abP (algemeen bouwtechnisch testcertificaat). Indien nodig, adviseren wij het gebruik van de oorspronkelijke DITRA-HEAT die met dunbedmortel op de ondergrond wordt verlijmd.



## Verwarmingskabel

### Schlüter®-DITRA-HEAT-E-HK

12,5<sub>W/m</sub>



Schlüter-DITRA-HEAT-E-HK is een elektrische verwarmingskabel met enkelzijdige aansluiting voor plaatsing in de ontkoppelingsmat Schlüter-DITRA-HEAT. De kabel heeft een vermogen van 12,5 W/m.  
(Productdatablad 6.6)



### Schlüter®-DITRA-HEAT-E-HK

Dunbed-verwarmingskabel

L (m)	Vloer verwarmd, 136 W/m <sup>2</sup> *	Wand verwarmd, 200 W/m <sup>2</sup> **	Watt	Art.-No.	€ / St.	P (st.)
	m <sup>2</sup>	m <sup>2</sup>				
4	0,4	0,25	50	DH E HK 4	<b>122,88</b>	10
6,76	0,6	0,43	85	DH E HK 6	<b>130,54</b>	10
12,07	1,1	0,7	150	DH E HK 12	<b>201,57</b>	10
17,66	1,6	1	225	DH E HK 17	<b>238,33</b>	10
23,77	2,2	1,5	300	DH E HK 23	<b>265,58</b>	10
29,87	2,7	1,8	375	DH E HK 29	<b>313,26</b>	10
35,97	3,3	2,2	450	DH E HK 35	<b>360,90</b>	10
41,56	3,8	2,6	525	DH E HK 41	<b>401,75</b>	10
47,67	4,4	2,9	600	DH E HK 47	<b>460,34</b>	10
53,77	5	3,3	675	DH E HK 53	<b>510,75</b>	10
59,87	5,5	3,7	750	DH E HK 59	<b>544,78</b>	10
71,57	6,6	4,4	900	DH E HK 71	<b>626,48</b>	10
83,77	7,7	5,1	1050	DH E HK 83	<b>735,45</b>	10
95,47	8,8	5,9	1200	DH E HK 95	<b>837,57</b>	10
107,67	10	6,6	1350	DH E HK 107	<b>919,31</b>	10
136,16	12,7	8,4	1700	DH E HK 136	<b>1101,95</b>	10
164,07	15	10	2050	DH E HK 164	<b>1318,10</b>	10
192,27	17,7	11,8	2400	DH E HK 192	<b>1542,18</b>	10
216,27	20	13,2	2700	DH E HK 216	<b>1733,32</b>	10
244,37	22,7	15,1	3050	DH E HK 244	<b>1944,21</b>	10

\* geschikt voor vloer- en wandmontage \*\* alleen geschikt voor wandmontage

#### Opmerking:

Verwarmingskabels mogen niet worden ingekort.

Let er bij de keuze van de verwarmingskabel op dat in de tabel met het verwarmde oppervlak in m<sup>2</sup> geen rekening wordt gehouden met de kamergrootte. Bij de berekening van het verwarmde oppervlak moeten de niet-verwarmde zones, bijv. randzones en bedekte vlakken, van de kamergrootte worden afgetrokken.

## Verwarmingskabel

## Schlüter®-DITRA-HEAT-E-CHC

7,5 W/m



Schlüter-DITRA-HEAT-E-CHC is een elektrische verwarmingskabel met enkelzijdige aansluiting voor plaatsing in de ontkoppelingsmat Schlüter-DITRA-HEAT. Met zijn vermogen van 7,5 W/m is de kabel voor bijv. energie-efficiënte gebouwen een slimme oplossing. (Productdatablad 6.6)



## Schlüter®-DITRA-HEAT-E-CHC

Dunbed-verwarmingskabel

L (m)	Vloer verwarmd 80 W/m <sup>2</sup> *	Wand verwarmd 120 W/m <sup>2</sup> **	Watt	Art.-No.	€ / St.	P (st.)
	m <sup>2</sup>	m <sup>2</sup>				
4	0,4	0,25	30	DH E CHC 4	<b>122,88</b>	10
6,76	0,6	0,43	51	DH E CHC 6	<b>130,54</b>	10
12,07	1,1	0,7	91	DH E CHC 12	<b>201,57</b>	10
17,66	1,6	1	132	DH E CHC 17	<b>238,33</b>	10
23,77	2,2	1,5	178	DH E CHC 23	<b>265,58</b>	10
29,87	2,7	1,8	224	DH E CHC 29	<b>313,26</b>	10
35,97	3,3	2,2	270	DH E CHC 35	<b>360,90</b>	10
41,56	3,8	2,6	312	DH E CHC 41	<b>401,75</b>	10
47,67	4,4	2,9	358	DH E CHC 47	<b>460,34</b>	10
53,77	5	3,3	403	DH E CHC 53	<b>510,75</b>	10
59,87	5,5	3,7	449	DH E CHC 59	<b>544,78</b>	10
71,57	6,6	4,4	537	DH E CHC 71	<b>626,48</b>	10
83,77	7,7	5,1	628	DH E CHC 83	<b>735,45</b>	10
95,47	8,8	5,9	716	DH E CHC 95	<b>837,57</b>	10
107,67	10	6,6	808	DH E CHC 107	<b>919,31</b>	10
136,16	12,7	8,4	1021	DH E CHC 136	<b>1101,95</b>	10
164,07	15	10	1231	DH E CHC 164	<b>1318,10</b>	10
192,27	17,7	11,8	1442	DH E CHC 192	<b>1542,18</b>	10
216,27	20	13,2	1622	DH E CHC 216	<b>1733,32</b>	10
244,37	22,7	15,1	1833	DH E CHC 244	<b>1944,21</b>	10

\* geschikt voor vloer- en wandmontage \*\* alleen geschikt voor wandmontage

**Opmerking:**

Verwarmingskabels mogen niet worden ingekort.

Let er bij de keuze van de verwarmingskabel op dat in de tabel met het verwarmde oppervlak in m<sup>2</sup> geen rekening wordt gehouden met de kamergrootte. Bij de berekening van het verwarmde oppervlak moeten de niet-verwarmde zones, bijv. randzones en bedekte vlakken, van de kamergrootte worden afgetrokken.



## Thermostaat

### Schlüter®-DITRA-HEAT-E-R6



Schlüter-DITRA-HEAT-E-R6 is een all-in-one thermostaat met wifiverbinding en optionele spraakbesturing. Deze regelt de met Schlüter-DITRA-HEAT-E elektrisch verwarmde vloer- en wandbekledingen. Het apparaat wordt bediend via het 2" (5,1 cm) grote touchscreen-display, de Schlüter-HEAT-CONTROL app voor iOS en Android of via spraakbesturing met Amazon Alexa of Google Assistant. De thermostaat regelt naar keuze de oppervlakte- of kamertemperatuur volgens een tijdschema. Er is een reservesensor meegeleverd.

(Productdatablad 6.6)

#### Schlüter®-DITRA-HEAT-E-R6

Touchscreen thermostaat (230 V) met twee externe sensoren, wifi en spraakbesturingsfunctie

Art.-No.	€ / Set	P (set)
DH E RT 6 / BW	<b>330,37</b>	10
DH E RT 6 / DA	<b>336,00</b>	10

#### Beschikbare kleuren:



BW = zuiver wit

DA = donker antraciet

### Schlüter®-DITRA-HEAT-E-R



Schlüter-DITRA-HEAT-E-R is een thermostaat voor de regeling van de met Schlüter-DITRA-HEAT-E elektrisch verwarmde vloer- en wandbekledingen. Het apparaat wordt bediend via het 2" (5,1 cm) grote touchscreen-display. De thermostaat regelt naar keuze de oppervlakte- of kamertemperatuur volgens een tijdschema. Er is een reservesensor meegeleverd.

(Productdatablad 6.6)

#### Schlüter®-DITRA-HEAT-E-R

Touchscreen thermostaat (230 V) met twee externe sensoren

Art.-No.	€ / Set	P (set)
DH E RT 2 / BW	<b>230,66</b>	10
DH E RT 2 / DA	<b>236,31</b>	10

#### Beschikbare kleuren:



BW = zuiver wit

DA = donker antraciet

### Schlüter®-DITRA-HEAT-E-R3



Schlüter-DITRA-HEAT-E-R3 is een thermostaat voor de regeling van de met Schlüter-DITRA-HEAT-E elektrisch verwarmde vloer- en wandbekledingen. Hij wordt bediend via het 3,5" (8,9 cm) grote touchscreen-display. De thermostaat regelt naar keuze de oppervlakte- of kamertemperatuur volgens een tijdschema. Er is een reservesensor meegeleverd.

(Productdatablad 6.6)

#### Schlüter®-DITRA-HEAT-E-R3

Touchscreen thermostaat (230 V) met twee externe sensoren

Art.-No.	€ / Set	P (set)
DH E RT 3 / BW	<b>306,45</b>	10



## Thermostaat

### Schlüter®-DITRA-HEAT-E-R4



Schlüter-DITRA-HEAT-E-R4 is een analoge thermostaat voor de elektrische temperatuurregeling van vloer- en wandbekledingen met Schlüter-DITRA-HEAT-E. De gebruiksvriendelijke thermostaat beschikt over een aan-uitschakelaar en een draaischijf waarmee de gewenste temperatuur kan worden ingesteld. Er is een reservesensor meegeleverd.

(Productdatablad 6.6)

#### Schlüter®-DITRA-HEAT-E-R4

Thermostaat (230 V)  
met aan/uit schakelaar en twee externe sensoren

Art.-No.	€ / Set	P (set)
DH E RT 4 / BW	172,03	10

#### Opmerking:

Wanneer de externe sensor direct in de ontkoppelingmat Schlüter-DITRA-HEAT wordt gelegd, moet de meegeleverde reservesensor meteen mee worden geïnstalleerd.

## Afrolsysteem voor verwarmingskabel

### Schlüter®-DITRA-HEAT-E-KARO



Schlüter-DITRA-HEAT-E-KARO is een eenvoudig, transportvriendelijk hulpmiddel voor het efficiënt en probleemloos leggen van DITRA-HEAT-E-verwarmingskabels. Het is geschikt voor alle leverbare DITRA-HEAT-verwarmingskabel lengtes.

(Productdatablad 6.6)

#### Schlüter®-DITRA-HEAT-E-KARO

Afrolsysteem voor verwarmingskabel

Art.-No.	€ / St.	P (st.)
DH ZK A	374,01	5

## Testgereedschap

### Schlüter®-DITRA-HEAT-E-CT



Schlüter-DITRA-HEAT-E-CT is een testapparaat voor de meting en controle van de weerstand van de elektrische verwarmingskabel Schlüter-DITRA-HEAT-E-HK en -GHC en de externe sensoren die bij de thermostaat Schlüter-DITRA-HEAT-E gevoegd zijn. Tijdens de hele inbouwfase bewaakt het apparaat de weerstand van de verwarmingskabels. In geval van schade wordt de verwerker door een akoestisch signaal gewaarschuwd.

(Productdatablad 6.6)

#### Schlüter®-DITRA-HEAT-E-CT

Kabeltester

Art.-No.	€ / St.	P (st.)
DH E CT	39,35	10

## Montageset

### Schlüter®-DITRA-HEAT-E-ZS



Schlüter-DITRA-HEAT-E-ZS is een montageset die bestaat uit een mantelbuis (3 m), aansluitdoos en voelerhuls. Deze set kan worden gebruikt als u ervoor kiest om de externe sensor in de mantelbuis te monteren.

(Productdatablad 6.6)

#### Schlüter®-DITRA-HEAT-E-ZS

Montageset voor thermostaat

Art.-No.	€ / Set	P (set)
DH E ZS 1	15,81	10



## Ontkoppeling | Verwarming



### Schlüter®-DITRA-HEAT-E-S



Schlüter-DITRA-HEAT-E-S zijn complete sets voor elektrische verwarming of temperatuurregeling van vloer- en wandbekledingen. Ze bevatten de ontkoppelmatten Schlüter-DITRA-HEAT-MA, de verwarmingskabel Schlüter-DITRA-HEAT-E-HK en de touchscreen thermostaat Schlüter-DITRA-HEAT-E-R of de touchscreen thermostaat DITRA-HEAT-E-R6 met wifi-functie en optionele spraakbesturing. Indien nodig kan het ontkoppelde oppervlak vergroot worden door het plaatsen van extra Schlüter-DITRA-HEAT-matten.

(Productdatablad 6.4)

#### Alle sets bevatten:

- Schlüter-DITRA-HEAT-MA ontkoppelmatten, volgens tabel
- verwarmingskabel Schlüter-DITRA-HEAT-E-HK, volgens tabel (plaatsing elke 3de nop  $\triangleq$  136 W/m<sup>2</sup> / plaatsing elke 2de nop  $\triangleq$  200 W/m<sup>2</sup>)
- 1 Schlüter-DITRA-HEAT-E-R touchscreen thermostaat of DITRA-HEAT-E-R6 touchscreen thermostaat met wifi-functie en optionele spraakbesturing
- 2 aansluitdozen
- 1 mantelbuis (3 m)

### Schlüter®-DITRA-HEAT-E-S

Volledige set voor vloer en wand

Schlüter®-DITRA-HEAT-MA		Schlüter®-DITRA-HEAT-E-HK				Art.-No.	€ / Set	P (set)
Aantal matten	Ontkoppeld oppervlak in m <sup>2</sup>	Vloer verwarmd, 136 W/m <sup>2</sup> *		Wand verwarmd, 200 W/m <sup>2</sup> **				
		m <sup>2</sup>	W	m <sup>2</sup>	Watt			
4	3,1	2,2	300	1,5	300	DH S3	<b>560,76</b>	9
7	5,4	3,8	525	2,6	525	DH S1	<b>747,69</b>	4
10	7,8	5,5	750	3,7	750	DH S2	<b>928,15</b>	4

### Schlüter®-DITRA-HEAT-E-S



Volledige set voor vloer en wand, met wifi en optionele spraakbesturing

Schlüter®-DITRA-HEAT-MA		Schlüter®-DITRA-HEAT-E-HK				Art.-No.	€ / Set	P (set)
Aantal matten	Ontkoppeld oppervlak in m <sup>2</sup>	Vloer verwarmd, 136 W/m <sup>2</sup> *		Wand verwarmd, 200 W/m <sup>2</sup> **				
		m <sup>2</sup>	W	m <sup>2</sup>	Watt			
4	3,1	2,2	300	1,5	300	DH RT6 S3	<b>591,33</b>	9
7	5,4	3,8	525	2,6	525	DH RT6 S1	<b>776,39</b>	4
10	7,8	5,5	750	3,7	750	DH RT6 S2	<b>957,65</b>	4

\* geschikt voor vloer- en wandmontage \*\* alleen geschikt voor wandmontage

## Ontkoppeling | Verwarming



## Schlüter®-DITRA-HEAT-E-WS



Schlüter-DITRA-HEAT-E-WS zijn complete sets voor elektrische verwarming of temperatuurregeling van wandbekledingen. Ze bevatten de ont koppelingsmatten Schlüter-DITRA-HEAT-MA, de verwarmingskabel Schlüter-DITRA-HEAT-E-HK en de touchscreen thermostaat Schlüter-DITRA-HEAT-E-R of de touchscreen thermostaat DITRA-HEAT-E-R6 met wifi-functie en optionele spraakbesturing. Indien nodig kan het ont koppelde oppervlak vergroot worden door het plaatsen van extra Schlüter-DITRA-HEAT-matten.

(Productdatablad 6.4)

## Alle sets bevatten:

- Schlüter-DITRA-HEAT-MA ont koppelingsmatten, volgens tabel
- verwarmingskabel Schlüter-DITRA-HEAT-E-HK, volgens tabel (plaatsing elke 2de nop  $\Delta$  200 W/m<sup>2</sup>)
- 1 Schlüter-DITRA-HEAT-E-R touchscreen thermostaat of DITRA-HEAT-E-R6 touchscreen thermostaat met wifi-functie en optionele spraakbesturing
- 2 aansluitdozen
- 1 mantelbuis (3 m)

## Schlüter®-DITRA-HEAT-E-WS

Volledige set voor de wand

Schlüter®-DITRA-HEAT-MA		Schlüter®-DITRA-HEAT-E-HK		Art.-No.	€ / Set	P (set)
Aantal matten	Ontkoppeld oppervlak in m <sup>2</sup>	Wand verwarmd, 200 W/m <sup>2</sup>				
		m <sup>2</sup>	Watt			
3	2,3	1,8	375	DH WS2	<b>599,44</b>	9
4	3,1	2,6	525	DH WS1	<b>709,00</b>	9

## Schlüter®-DITRA-HEAT-E-WS



Volledige set voor de wand, met wifi en optionele spraakbesturing

Schlüter®-DITRA-HEAT-MA		Schlüter®-DITRA-HEAT-E-HK		Art.-No.	€ / Set	P (set)
Aantal matten	Ontkoppeld oppervlak in m <sup>2</sup>	Wand verwarmd, 200 W/m <sup>2</sup>				
		m <sup>2</sup>	Watt			
3	2,3	1,8	375	DH RT6 WS2	<b>628,09</b>	9
4	3,1	2,6	525	DH RT6 WS1	<b>738,37</b>	9



## Ontkoppeling | Verwarming



### Schlüter®-DITRA-HEAT-E-DUO-S



Schlüter-DITRA-HEAT-E-DUO-S zijn complete sets voor elektrische verwarming of temperatuurregeling van vloer- en wandbekledingen. Ze bevatten de ontkoppelmatten Schlüter-DITRA-HEAT-DUO-MA (0,8 x 0,98 m), de verwarmingskabel Schlüter-DITRA-HEAT-E-HK en de touchscreen thermostaat Schlüter-DITRA-HEAT-E-R of de touchscreen thermostaat DITRA-HEAT-E-R6 met wifi-functie en optionele spraakbesturing. Door het speciale draagvlies zorgt de ontkoppelmatten voor minder contactgeluid en een snellere opwarming. Indien nodig kan het ontkoppelde oppervlak vergroot worden door het plaatsen van extra Schlüter-DITRA-HEAT-DUO-matten. (Productdatablad 6.4)

#### Alle sets bevatten:

- Schlüter-DITRA-HEAT-DUO-MA ontkoppelmatten, volgens tabel
- verwarmingskabel Schlüter-DITRA-HEAT-E-HK, volgens tabel (plaatsing elke 3de nop  $\triangleq$  136 W/m<sup>2</sup> / plaatsing elke 2de nop  $\triangleq$  200 W/m<sup>2</sup>)
- 1 Schlüter-DITRA-HEAT-E-R touchscreen thermostaat of DITRA-HEAT-E-R6 touchscreen thermostaat met wifi-functie en optionele spraakbesturing
- 2 aansluitdozen
- 1 mantelbuis (3 m)

### Schlüter®-DITRA-HEAT-E-DUO-S

Volledige set voor vloer en wand

Schlüter®-DITRA-HEAT-DUO-MA		Schlüter®-DITRA-HEAT-E-HK				Art.-No.	€ / Set	P (set)
Aantal matten	Ontkoppeld oppervlak in m <sup>2</sup>	Vloer verwarmd, 136 W/m <sup>2</sup> *		Wand verwarmd, 200 W/m <sup>2</sup> **				
		m <sup>2</sup>	W	m <sup>2</sup>	Watt			
2	1,5	1,1	150	0,7	150	DH D S1	<b>498,89</b>	9
3	2,3	1,6	225	1	225	DH D S2	<b>554,32</b>	9
4	3,1	2,2	300	1,5	300	DH D S3	<b>599,44</b>	9
5	3,9	2,7	375	1,8	375	DH D S4	<b>663,89</b>	8
6	4,7	3,3	450	2,2	450	DH D S5	<b>728,33</b>	8
7	5,4	3,8	525	2,6	525	DH D S6	<b>801,83</b>	5
8	6,2	4,4	600	2,9	600	DH D S7	<b>866,28</b>	5
9	7	5	675	3,3	675	DH D S8	<b>943,63</b>	4
10	7,8	5,5	750	3,7	750	DH D S9	<b>999,06</b>	4

### Schlüter®-DITRA-HEAT-E-DUO-S



Volledige set voor vloer en wand, met wifi en optionele spraakbesturing

Schlüter®-DITRA-HEAT-DUO-MA		Schlüter®-DITRA-HEAT-E-HK				Art.-No.	€ / Set	P (set)
Aantal matten	Ontkoppeld oppervlak in m <sup>2</sup>	Vloer verwarmd, 136 W/m <sup>2</sup> *		Wand verwarmd, 200 W/m <sup>2</sup> **				
		m <sup>2</sup>	W	m <sup>2</sup>	Watt			
2	1,5	1,1	150	0,7	150	DH D RT6 S1	<b>530,49</b>	9
3	2,3	1,6	225	1	225	DH D RT6 S2	<b>583,72</b>	9
4	3,1	2,2	300	1,5	300	DH D RT6 S3	<b>628,09</b>	9
5	3,9	2,7	375	1,8	375	DH D RT6 S4	<b>692,74</b>	8
6	4,7	3,3	450	2,2	450	DH D RT6 S5	<b>757,37</b>	8
7	5,4	3,8	525	2,6	525	DH D RT6 S6	<b>830,90</b>	5
8	6,2	4,4	600	2,9	600	DH D RT6 S7	<b>895,55</b>	5
9	7	5	675	3,3	675	DH D RT6 S8	<b>972,87</b>	4
10	7,8	5,5	750	3,7	750	DH D RT6 S9	<b>1031,16</b>	4

\* geschikt voor vloer- en wandmontage \*\* alleen geschikt voor wandmontage



## Ontkoppeling | Verwarming



## Schlüter®-DITRA-HEAT-E-DUO-WS



Schlüter-DITRA-HEAT-E-DUO-WS zijn complete sets voor elektrische verwarming of temperatuurregeling van wandbekledingen. Ze bevatten de ont koppelingsmatten Schlüter-DITRA-HEAT-DUO-MA (0,8 x 0,98 m), de verwarmingskabel Schlüter-DITRA-HEAT-E-HK en de touchscreen thermostaat Schlüter-DITRA-HEAT-E-R of de touchscreen thermostaat DITRA-HEAT-E-R6 met wifi-functie en optionele spraakbesturing. Door het speciale draagvlies zorgt de ont koppelingsmat voor een snellere opwarming. Indien nodig kan het ont koppelde oppervlak vergroot worden door het plaatsen van extra Schlüter-DITRA-HEAT-DUO-matten.

(Productdatablad 6.4)

## Alle sets bevatten:

- Schlüter-DITRA-HEAT-DUO-MA ont koppelingsmatten, volgens tabel
- verwarmingskabel Schlüter-DITRA-HEAT-E-HK, volgens tabel (plaatsing elke 2de nop  $\Delta$  200 W/m<sup>2</sup>)
- 1 Schlüter-DITRA-HEAT-E-R touchscreen thermostaat of DITRA-HEAT-E-R6 touchscreen thermostaat met wifi-functie en optionele spraakbesturing
- 2 aansluitdozen
- 1 mantelbuis (3 m)

## Schlüter®-DITRA-HEAT-E-DUO-WS

Volledige set voor de wand

Schlüter®-DITRA-HEAT-DUO-MA		Schlüter®-DITRA-HEAT-E-HK		Art.-No.	€ / Set	P (set)
Aantal matten	Ontkoppeld oppervlak in m <sup>2</sup>	Wand verwarmd, 200 W/m <sup>2</sup>				
		m <sup>2</sup>	Watt			
3	2,3	1,8	375	DH D S11	<b>611,55</b>	9
4	3,1	2,6	525	DH D S10	<b>725,13</b>	9

## Schlüter®-DITRA-HEAT-E-DUO-WS



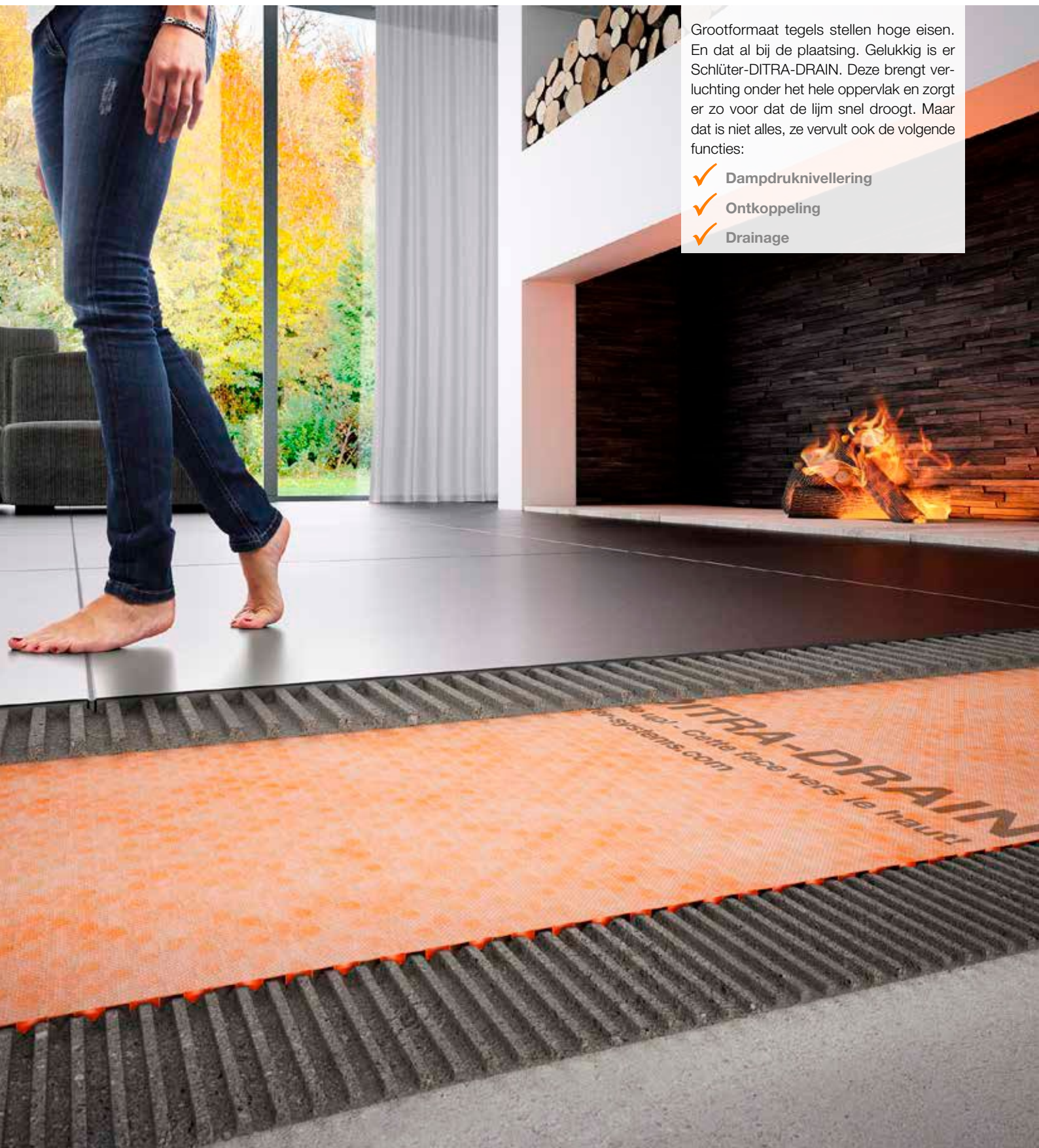
Volledige set voor de wand, met wifi en optionele spraakbesturing

Schlüter®-DITRA-HEAT-DUO-MA		Schlüter®-DITRA-HEAT-E-HK		Art.-No.	€ / Set	P (set)
Aantal matten	Ontkoppeld oppervlak in m <sup>2</sup>	Wand verwarmd, 200 W/m <sup>2</sup>				
		m <sup>2</sup>	Watt			
3	2,3	1,8	375	DH D RT6 S11	<b>640,76</b>	9
4	3,1	2,6	525	DH D RT6 S10	<b>754,84</b>	9



# Schlüter®-DITRA-DRAIN

Als het iets groter mag zijn



Grootformaat tegels stellen hoge eisen. En dat al bij de plaatsing. Gelukkig is er Schlüter-DITRA-DRAIN. Deze brengt ventilatie onder het hele oppervlak en zorgt er zo voor dat de lijm snel droogt. Maar dat is niet alles, ze vervult ook de volgende functies:

- ✓ Dampdruk nivellering
- ✓ Ontkoppeling
- ✓ Drainage

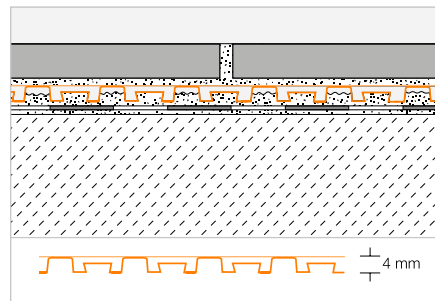
## Hechtende drainage

## Schlüter®-DITRA-DRAIN 4



Schlüter-DITRA-DRAIN 4 is een vormvaste polyethyleenfolie met aan de onderzijde een speciale noppenstructuur en aan de bovenzijde een opgelijmd filtervlies uit polypropyleen. Het vormt een universele ondergrond voor tegelbekleding als ont koppelingslaag en duurzaam functionele, capillair passieve hechtende drainage.

(Productdatablad 6.2)



## Schlüter®-DITRA-DRAIN 4

Polyethyleen op rol

L (m)	Breedte = 1,00 m Art.-No.	€ / m <sup>2</sup>	PL (rol)
10	DITRA-DRAIN 10M	24,19	12
25	DITRA-DRAIN 25M	21,83	6

**Tip gereedschap:**

Schlüter-TROWEL, vertanding 6 x 6, zie pagina 336.

## Schlüter®-DITRA-DRAIN-STU

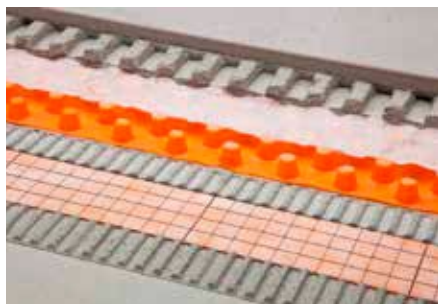
Zelfklevende naadafdekband

L (m)	Breedte = 90 mm Art.-No.	€ / m	P (st.)
5	STUV KB 90/ 5M	8,16	10
30	STUV KB 90/30M	7,22	10



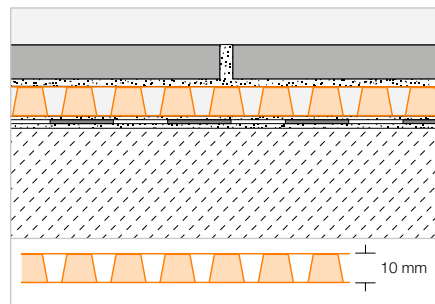
## Hechtende drainage

## Schlüter®-DITRA-DRAIN 8



Schlüter-DITRA-DRAIN 8 is een vormvaste polyethyleenfolie met een enkelzijdig uitgewerkte speciale noppenstructuur. Hij is aan de onderzijde voorzien van een vlies voor de verankering in de tegellijm en aan de bovenzijde van een speciaal filtervlies. Schlüter-DITRA-DRAIN 8 is een universele ondergrond voor tegelbekledingen als ont koppelingslaag en duurzaam functionele, capillair passieve hechtende drainage.

(Productdatablad 6.2)



## Schlüter®-DITRA-DRAIN 8

Polyethyleen op rol

L (m)	Breedte = 1,00 m Art.-No.	€ / m <sup>2</sup>	PL (rol)
12,5	DITRA-DRAIN 8 12M	23,18	6

## Schlüter®-DITRA-DRAIN-STU

Zelfklevende naadafdekband

L (m)	Breedte = 90 mm Art.-No.	€ / m	P (st.)
5	STUV KB 90/ 5M	8,16	10
30	STUV KB 90/30M	7,22	10

**Tip gereedschap:**

Schlüter-TROWEL, vertanding 4 x 4, zie pagina 336.





# Schlüter®-DITRA-SOUND

## Contactgeluidsisolatie onder tegels



Geluiden die op de vloer ontstaan, leiden tot contactgeluid. Schlüter-DITRA-SOUND vermindert efficiënt het contactgeluid met max. 13 dB (A) bij renovaties. Dat stemt overeen met een vermindering van het ervaren contactgeluid met meer dan 50 %. De mat biedt de volgende eigenschappen:

- ✓ **Demping van het contactgeluid/omgevingsgeluid**
- ✓ **Barstoverbrugging**
- ✓ **Lastverdeling (lastopname)**



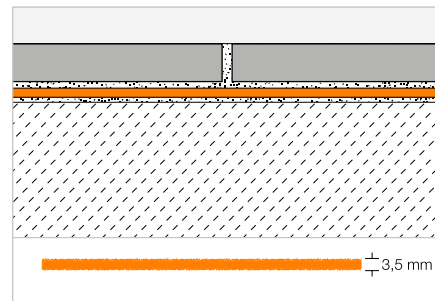
## Contactgeluidsisolatie

## Schlüter®-DITRA-SOUND



Schlüter-DITRA-SOUND is een zware mat op basis van polyethyleen, die aan de voor- en achterzijde voorzien is van een vlies voor de verankering in de tegellijm. Schlüter-DITRA-SOUND wordt in combinatie met tegelbekledingen gebruikt als hechtende contactgeluidsisolatie.

(Productdatablad 6.3)



## Schlüter®-DITRA-SOUND



PE-zware mat

H (mm)	55 x 75 cm = 0,41 m <sup>2</sup> Art.-No.	€ / Pakket	PL (pakket)
3,5	DITRA-S 355/5	67,26	80

Pakket = 5 st.

**Tip gereedschap:**

Schlüter-TROWEL, vertanding 4 x 4,  
zie pagina 336.

## Schlüter®-DITRA-SOUND

PE-zware mat projectverpakking

H (mm)	55 x 75 cm = 0,41 m <sup>2</sup> Art.-No.	€ / m <sup>2</sup>	PL (st.)
3,5	DITRA-S 355 LV	31,54	400

**Opmerking:**

Voor grote projecten is de projectverpakking DITRA-S 355 LV verkrijgbaar. Schlüter-DITRA-SOUND wordt dan zonder kartonverpakking geleverd, om het aantal verpakkingsmaterialen te reduceren.

## Naadafdekking | Randisolatiestrook



## Schlüter®-DITRA-SOUND-KB

Naadafdekband

38 mm x 50 m Art.-No.	€ / St.	P (st.)
DS KB 38	16,90	10



## Schlüter®-DITRA-SOUND-RSK

Randisolatiestrook

6 x 30 mm x 10 m Art.-No.	€ / m	P (st.)
DS RSK 630	1,60	20

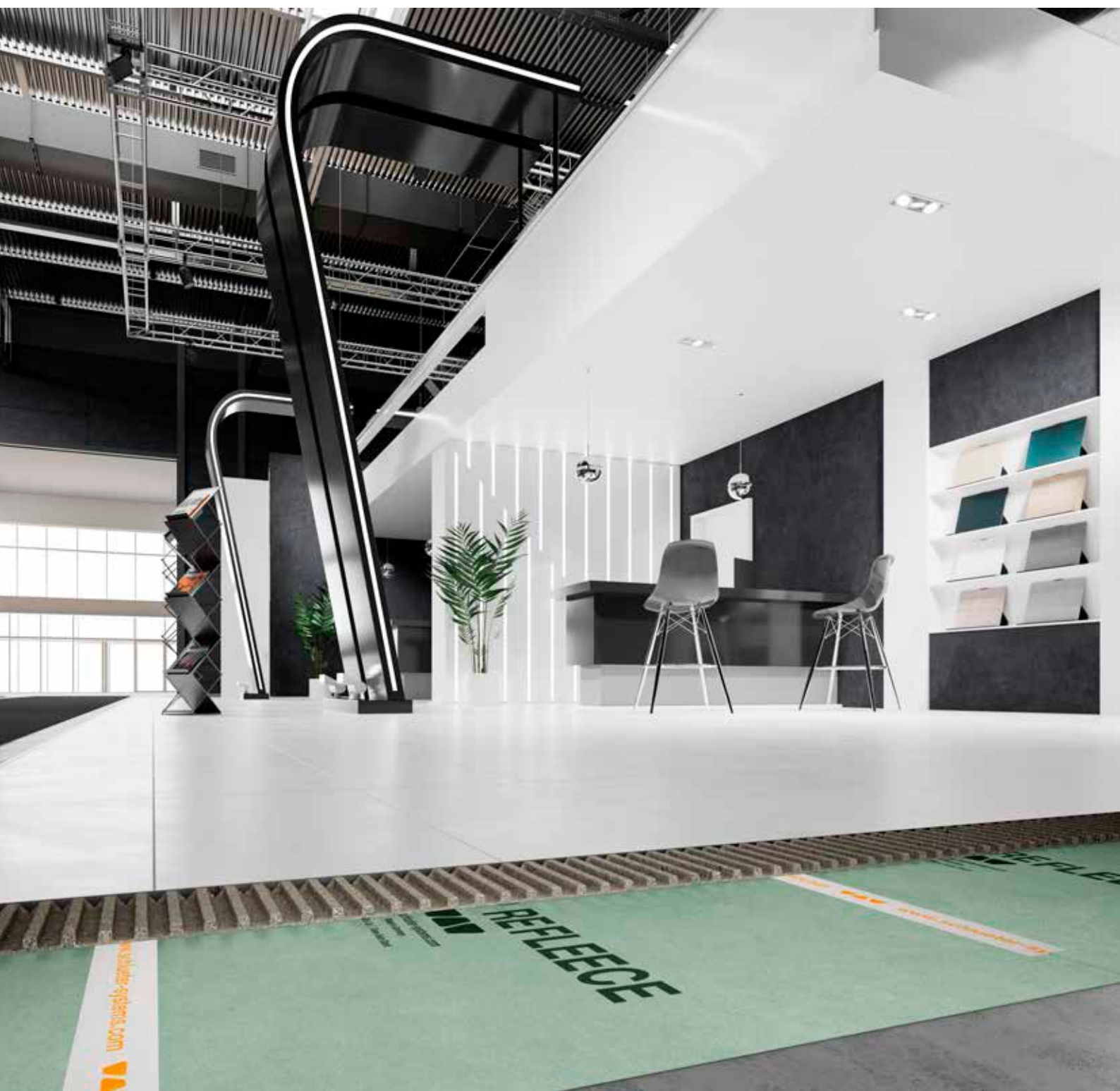


# Schlüter<sup>®</sup>-REFLEECE

## Het praktische demontagevlies

Tentoonstellingen, beurzen, winkels: de toepassingsgebieden waarin vloerbekledingen vaak moeten worden vervangen, zijn divers. Daarbij speelt een eenvoudige demontage een belangrijke rol.

Schlüter-REFLEECE biedt hier een praktische oplossing. Het zelfhechtende vlies dient als plaatsingsondergrond voor tegels of natuursteen en vormt een scheiding tussen de tegellijm en de bestaande ondergrond. Op die manier blijven er bij het verwijderen geen resten achter terwijl de ondergrond niet wordt beschadigd. Schlüter-REFLEECE vermindert bovendien het contactgeluid met 9 dB (conform DIN EN ISO 10140) en bestaat uit gerecycleerde PET-flessen.

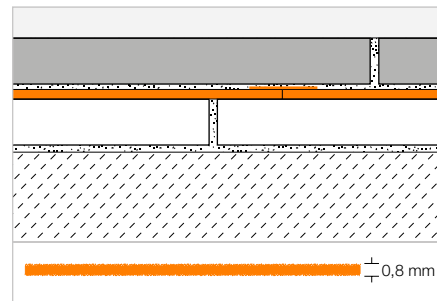


## Demontagevlies

**Schlüter®-REFLEECE**

Schlüter-REFLEECE is een vlies gemaakt van gerecycleerd PET-materiaal met aan de achterzijde een hechtlaag. Het is geschikt voor het leggen van tegels en natuursteen die later weer moeten worden verwijderd. De zelfhechtende achterzijde kan bij het verwijderen eenvoudig van de ondergrond worden losgemaakt en veroorzaakt geen schade aan deze ondergrond.

(Productdatablad 20.1)

**Schlüter®-REFLEECE**

PET op rol

1 m x 30 m Art.-No.	€ / m <sup>2</sup>	PL (rol)
REFL 30M	<b>18,90</b>	6

**Schlüter®-DITRA-SOUND-KB**

Naadafdekband

38 mm x 50 m Art.-No.	€ / St.	P (st.)
DS KB 38	<b>16,90</b>	10





# Schlüter®-KERDI

Afdichten tegen de wand en op de vloer,  
afwatering, planchet

Schlüter-KERDI is een afdichtingsmat in combinatie met de tegelbekleding. Met het praktische snijraster is dit product zeer eenvoudig te verwerken. Schlüter-KERDI wordt als totaalsysteem aangevuld met afdichtingsbanden, hoeken en buismanchetten. Met de afdichtingslijm Schlüter-KERDI-COLL voor naad- en aansluitverlijmingen beschikt u over een volledige afdichting uit één hand. Voor de afwatering worden de bodemafoersystemen Schlüter-KERDI-DRAIN of Schlüter-KERDI-LINE gebruikt; het modulaire Schlüter-KERDI-SHOWER-systeem wordt gebruikt voor de realisatie van inloopdouches.







## Schlüter®-KERDI

Contactafdichting	188–190
Toebehoren	191–196

## Schlüter®-KERDI-LINE

Elegante afwatering	197
KERDI-LINE designs	199, 209
Doucheprofiel	200–206
Douchegoot	210–221, 224–226
Complete sets – lineaire inloopdouche	227
Toebehoren	222–223

## Schlüter®-KERDI-DRAIN

Centrale afwatering in binnentoepassing	237
KERDI-DRAIN designs	239
Centraal afvoerpunt	240–245
Afwateringssets	249
Toebehoren	246–248

## Schlüter®-KERDI-SHOWER

Hellingsplaten voor KERDI-LINE	228–229
Hellingsplaten voor KERDI-DRAIN	251–252
Afdichtingssets	250

## Schlüter®-SHOWERPROFILE

Afschotprofiel	230–231
Profielen voor inloopdouches	232–236

## Schlüter®-SHELF

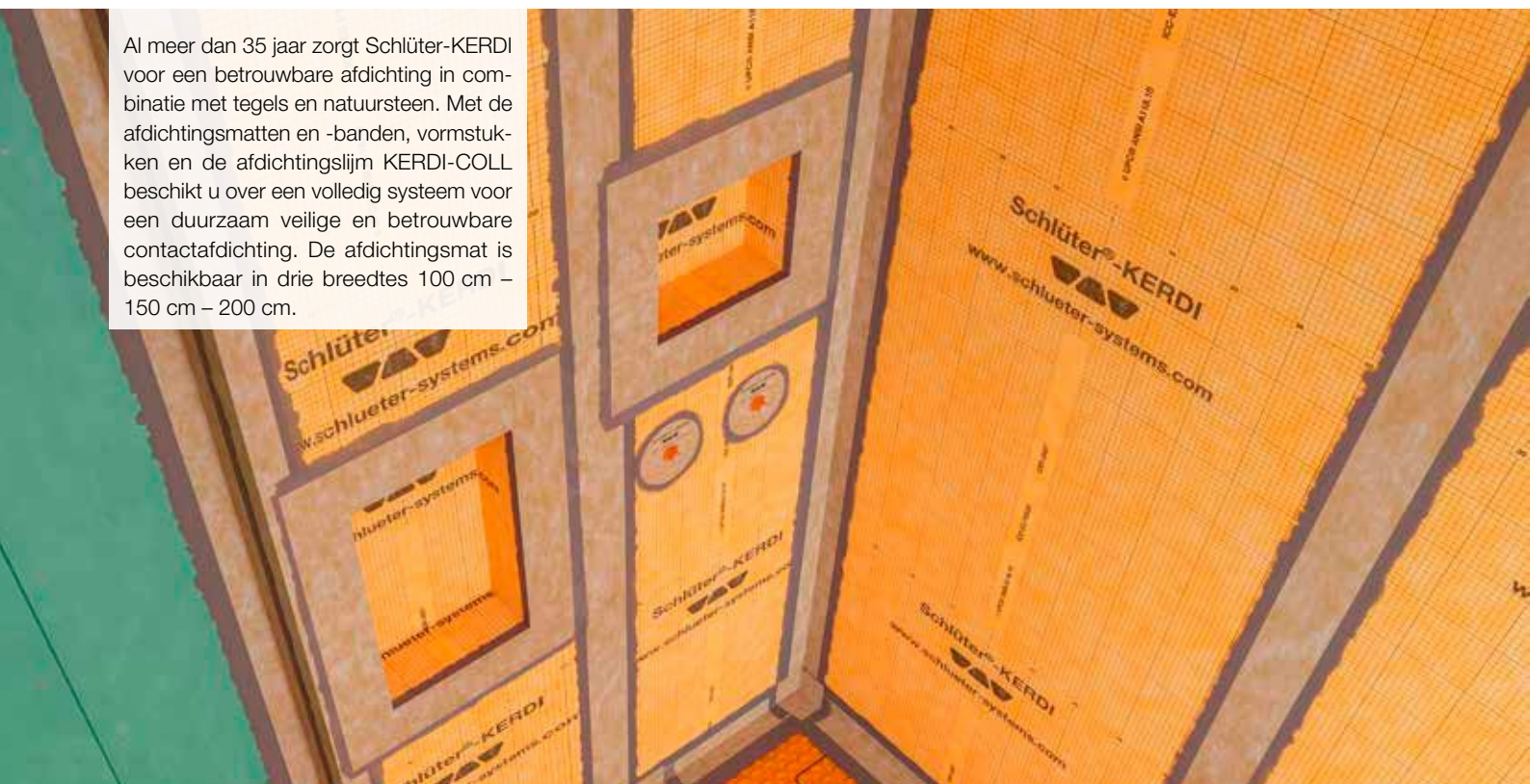
Planchetten	254–263
-------------	---------



# Schlüter®-KERDI

## De betrouwbare contactafdichting

Al meer dan 35 jaar zorgt Schlüter-KERDI voor een betrouwbare afdichting in combinatie met tegels en natuursteen. Met de afdichtingsmatten en -banden, vormstukken en de afdichtingslijm KERDI-COLL beschikt u over een volledig systeem voor een duurzaam veilige en betrouwbare contactafdichting. De afdichtingsmat is beschikbaar in drie breedtes 100 cm – 150 cm – 200 cm.

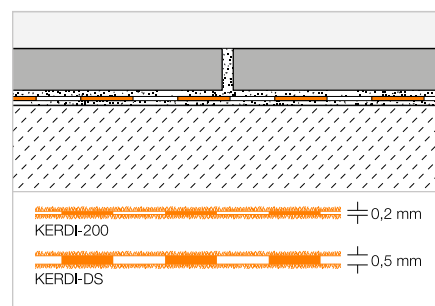


### Contactafdichting

## Schlüter®-KERDI



Schlüter-KERDI is een polyethyleen afdichtingsmat die voor de verankering in de tegel-lijm aan beide zijden van een vliesweefsel is voorzien. Deze mat is uitstekend geschikt voor contactafdichtingen in combinatie met tegels op wanden en vloeren. Schlüter-KERDI-DS is door zijn grote waterdampdifusieweerstand geschikt als dampscherm in combinatie met de tegelbekleding. (Productdatablad 8.1)



### Schlüter®-KERDI 200

Polyethyleen op rol

L (m)	m <sup>2</sup>	Breedte = 1,00 m Art.-No.	€ / m <sup>2</sup>	PL (rol)
5	5	KERDI 200 / 5M	<b>23,93</b>	75
10	10	KERDI 200 / 10M	<b>21,60</b>	50
30	30	KERDI 200	<b>19,66</b>	20
<b>Breedte = 1,50 m</b>				
20	30	KERDI 200 150 / 20M	<b>19,66</b>	20
<b>Breedte = 2,00 m</b>				
15	30	KERDI 200 200 / 15M	<b>19,66</b>	20

### Schlüter®-KERDI-DS

Polyethyleen-dampscherm, op rol

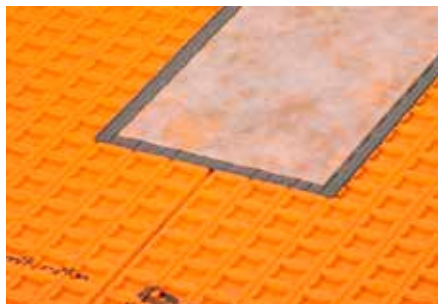
L (m)	Breedte = 1,00 m Art.-No.	€ / m <sup>2</sup>	PL (rol)
30	KERDI-DS	<b>22,70</b>	25

### Tip gereedschap:

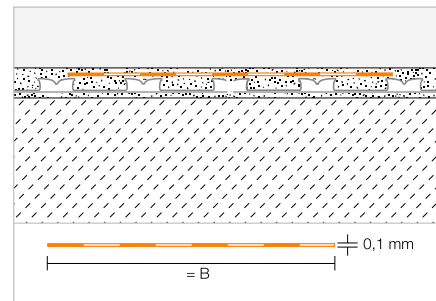
Schlüter-TROWEL, vertanding 4 x 4, zie pagina 336.

## Afdichtingsband

## Schlüter®-KERDI-KEBA



Schlüter-KERDI-KEBA zijn afdichtingsbanden uit polyethyleen, die aan beide zijden zijn voorzien van een vliesweefsel, voor het afdichten van stootnaden en wand-vloeraansluitingen. (Productdatablad 8.1)



## Schlüter®-KERDI-KEBA

Polyethyleen op rol

B (mm)	Rol = 30 m Art.-No.	€ / m	PL (rol)
85	KEBA 100 / 85	<b>2,68</b>	336
125	KEBA 100 / 125	<b>4,02</b>	210
150	KEBA 100 / 150	<b>4,25</b>	210
185	KEBA 100 / 185	<b>5,51</b>	168
250	KEBA 100 / 250	<b>7,13</b>	126

## Schlüter®-KERDI-KEBA/5M

Polyethyleen op rol

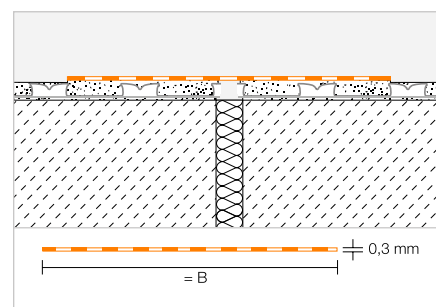
B (mm)	Rol = 5 m Art.-No.	€ / m	P (rol)
85	KEBA 100 / 85 / 5M	<b>3,77</b>	10
125	KEBA 100 / 125 / 5M	<b>5,02</b>	10
150	KEBA 100 / 150 / 5M	<b>5,39</b>	10
185	KEBA 100 / 185 / 5M	<b>6,56</b>	10
250	KEBA 100 / 250 / 5M	<b>8,23</b>	10

## Afdichtingsband

## Schlüter®-KERDI-FLEX



Schlüter-KERDI-FLEX is een flexibele afdichtingsband voor het afdichten van bewegingsvoegen. (Productdatablad 8.1)



## Schlüter®-KERDI-FLEX

Polyethyleen op rol

B (mm)	Rol = 30 m Art.-No.	€ / m	PL (rol)
125	FLEX 125 / 30	<b>6,84</b>	210
250	FLEX 250 / 30	<b>12,45</b>	126

## Schlüter®-KERDI-FLEX/5M

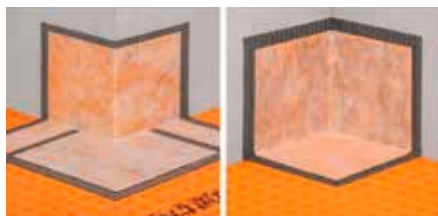
Polyethyleen op rol

B (mm)	Rol = 5 m Art.-No.	€ / m	P (rol)
125	FLEX 125 / 5M	<b>8,91</b>	10
250	FLEX 250 / 5M	<b>14,42</b>	10



## Hoekafdichting

### Schlüter®-KERDI-KERECK



Schlüter-KERDI-KERECK zijn pasvormen voor het maken van binnen- en buitenhoeken, die ook voor niet-rechte hoeken geschikt zijn. (Productdatablad 8.1)

#### Schlüter®-KERDI-KERECK/A

Buitenhoeken, pasvorm

Dikte (mm)	Pakket = 5 st. Art.-No.	€ / Pakket	P (pakket)
0,1	KERECK 5 A	28,27	10

#### Schlüter®-KERDI-KERECK/I

Binnenhoeken, pasvorm

Dikte (mm)	Pakket = 5 st. Art.-No.	€ / Pakket	P (pakket)
0,1	KERECK 5 I	24,24	10

## Hoekafdichting

### Schlüter®-KERDI-KERECK-F



Schlüter-KERDI-KERECK-F zijn voorgevormde elementen voor binnen- en buitenhoeken. (Productdatablad 8.1)

#### Schlüter®-KERDI-KERECK-F/A

Buitenhoeken 90°, voorgevormd

Dikte (mm)	Pakket = 2 st. Art.-No.	€ / Pakket	P (pakket)
0,1	KERECK / FA2	22,59	10
	Pakket = 10 st.		
0,1	KERECK / FA10	95,31	10
	Pakket = 50 st.		
0,1	KERECK / FA50	420,25	10

#### Schlüter®-KERDI-KERECK-F/I

Binnenhoeken 90°, voorgevormd

Dikte (mm)	Pakket = 2 st. Art.-No.	€ / Pakket	P (pakket)
0,1	KERECK / FI2	19,30	10
	Pakket = 10 st.		
0,1	KERECK / FI10	79,16	10
	Pakket = 50 st.		
0,1	KERECK / FI50	369,51	10

#### Schlüter®-KERDI-KERECK-F/I 135°

Binnenhoeken 135°, voorgevormd

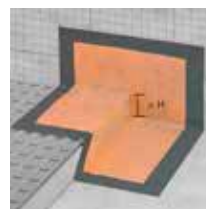
Dikte (mm)	Pakket = 2 st. Art.-No.	€ / Pakket	P (pakket)
0,1	KERECK 135 FI2	22,88	10

## Hoekafdichting

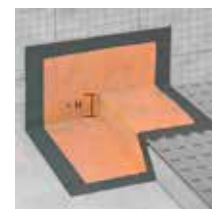
### Schlüter®-KERDI-KERS



Schlüter-KERDI-KERS zijn voorgevormde elementen voor een betrouwbare afdichting aan de hoeken van inlopdouches. (Productdatablad 8.1)



Schlüter-KERDI-KERS links



Schlüter-KERDI-KERS rechts

#### Schlüter®-KERDI-KERS

Binnenhoek voorgevormd, links

H (mm)	Art.-No.	€ / St.	P (st.)
20	KERS 20 L	15,56	10
28	KERS 28 L	15,56	10

#### Schlüter®-KERDI-KERS

Binnenhoek voorgevormd, rechts

H (mm)	Art.-No.	€ / St.	P (st.)
20	KERS 20 R	15,56	10
28	KERS 28 R	15,56	10

#### Opmerking:

De Schlüter-KERDI-KERS 20 producten zijn geschikt voor douches met een zijlengte van 80 - 110 cm. Schlüter-KERDI-KERS 28 producten zijn geschikt voor douches met een zijlengte van 110 - 150 cm.



## Afdichtingsmanchet

## Schlüter®-KERDI-MV

Schlüter-KERDI-MV zijn voorgevormde manchetten om buisdoorvoeringen af te dichten conform DIN 18534. Door de flexibele zone kunnen de manchetten voor verschillende buisdiameters worden gebruikt (zie tabel).

(Productdatablad 8.1)

## Schlüter®-KERDI-MV

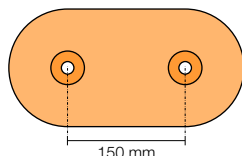
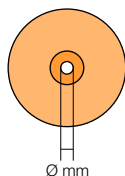
Manchet met flexibele zone (inhoud: 1 stuk)

Ø mm	Voor buisdiameter (mm)	Art.-No.	€ / St.	P (st.)
9	12 – 30	KMV 9	<b>10,01</b>	10
15	22 – 40	KMV 15	<b>10,01</b>	10
21	30 – 60	KMV 21	<b>11,14</b>	10
35	45 – 80	KMV 35	<b>11,89</b>	10
65	75 – 140	KMV 65	<b>15,02</b>	10
15	22 – 40	KMV 15 D	<b>17,97</b>	10

## Schlüter®-KERDI-MV

Manchet met flexibele zone (inhoud: 10 stuks)

Ø mm	Voor buisdiameter (mm)	Art.-No.	€ / Pakket	P (pakket)
15	22 – 40	KMV 15/10	<b>80,43</b>	10
15	22 – 40	KMV 15 D/10	<b>147,72</b>	10



KMV 9



KMV 15



KMV 21



KMV 35



KMV 65



KMV 15 D\*

\* H.o.h. afstand 150 mm

## Afdichtingsmanchet

## Schlüter®-KERDI-PAS

Schlüter-KERDI-PAS zijn sets die bestaan uit een voorgevormde manchet en een speciale kunststof huls. De manchet wordt in combinatie met de kunststof huls aangebracht, zodat de later geplaatste kraanverlenging correct volgens DIN 18534 kan worden afdichtend.

(Productdatablad 8.1)

## Schlüter®-KERDI-PAS

Set met manchet en verwerkingshulp (inhoud: 1 set)

Ø mm	Voor buisdiameter (mm)	Art.-No.	€ / Set	P (set)
15	22 – 40	KMV 15 PAS	<b>12,21</b>	10
15	22 – 40	KMV 15 D PAS	<b>20,97</b>	10

## Schlüter®-KERDI-PAS

Set met manchet en verwerkingshulp (inhoud: 10 sets)

Ø mm	Voor buisdiameter (mm)	Art.-No.	€ / Pakket	P (pakket)
15	22 – 40	KMV 15 PAS/10	<b>97,96</b>	10
15	22 – 40	KMV 15 D PAS/10	<b>165,56</b>	10



KMV 15 PAS



KMV 15 D PAS\*

\* H.o.h. afstand 150 mm



## Afdichtingsmanchet

### Schlüter®-KERDI-KM



Schlüter-KERDI-KM zijn voorgevormde manchetten om buisdoorvoeringen af te dichten conform DIN 18534.  
(Productdatablad 8.1)

### Schlüter®-KERDI-KM

Buismanchet Ø = 22 mm voor 25 mm buis

Dikte (mm)	Pakket = 5 st. Art.-No.	€ / Pakket	P (pakket)
0,1	KM 5117 / 22	9,87	10

# Schlüter®-KERDI-CID

## Normconforme deuropeningen

De voorschriften voor afdichting van binnenruimten vereisen de bescherming van aangrenzende, niet-afgedichte ruimten tegen het water vanuit natte ruimten, ook in de deuropeningen. Schlüter-KERDI-CID sets zorgen voor een capillaire onderbreking van deuropeningen in verschillende richtingen.

De voordelen:

- ✓ Zekerheid in systeem
- ✓ Beproefd afsluitprofiel in roestvast staal
- ✓ Sets inclusief vormstukken



Set 1



Set 2

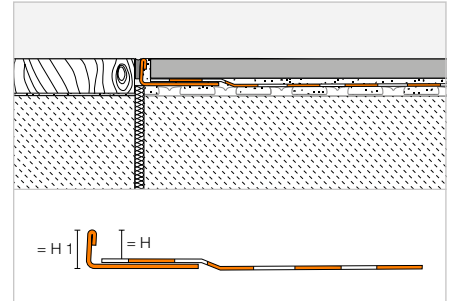
## Aansluitingsset

### Schlüter®-KERDI-CID



Schlüter-KERDI-CID zijn aansluitingssets voor een capillaire onderbreking op de vloer in deuropeningen volgens DIN 18534. Er zijn verschillende uitvoeringssets, afhankelijk van de openingsrichting van de deur. Set-componenten bevatten een Schlüter-SCHIENE-E met een vast verlijmd KERDI-KEBA afdichtingsband en bijbehorende KERDI-KERECK vormstukken. Het profiel kan individueel op de desbetreffende deurbreedte worden ingekort. De componenten worden met KERDI-COLL afdichtingslijm verlijmd (niet bij de set inbegrepen).

(Productdatablad 8.11)



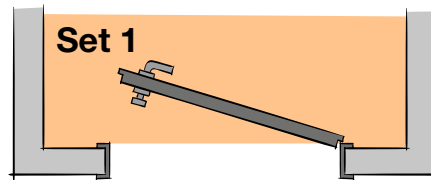
#### Schlüter®-KERDI-CID

SCHIENE-E V4A met polyethyleen dichtingsband (Set 1), lengte: 1,15 m

H (mm)	H1 (mm)	Art.-No.	€ / Set	P (set)
10	12	KCID E 110 S1	<b>72,26</b>	10
12	14	KCID E 125 S1	<b>72,26</b>	10
14	16	KCID E 150 S1	<b>72,26</b>	10

#### De set bevat:

- 1 x Schlüter-SCHIENE-E V4A met dichtingsband
- 1 x 2 KERDI-KERECK-SD hoeken (rechts + links)



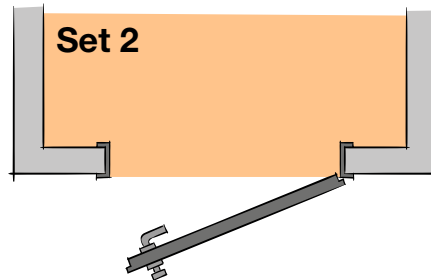
#### Schlüter®-KERDI-CID

SCHIENE-E V4A met polyethyleen dichtingsband (Set 2), lengte: 1,15 m

H (mm)	H1 (mm)	Art.-No.	€ / Set	P (set)
10	12	KCID E 110 S2	<b>74,31</b>	10
12	14	KCID E 125 S2	<b>74,31</b>	10
14	16	KCID E 150 S2	<b>74,31</b>	10

#### De set bevat:

- 1 x Schlüter-SCHIENE-E V4A met dichtingsband
- 2 x 2 KERDI-KERECK hoeken (buiten-/binnenhoek)

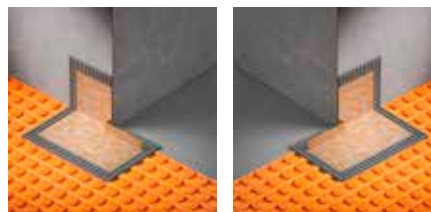


## Hoekafdichting

### Schlüter®-KERDI-KERECK-SD

Buitenhoek 90°, voorgevormd, links-/rechtsdraaiende deur

Dikte (mm)	Set = 2 St. Art.-No.	€ / Set	P (set)
0,1	KERECK / SD	<b>28,70</b>	10



#### Opmerking:

Werkhandleiding voor Schlüter-KERDI-CID vindt u bij het downloadgedeelte.







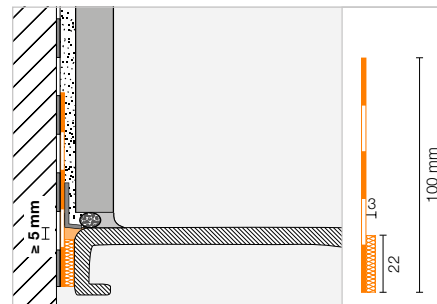
## Afdichtingsset

### Schlüter®-KERDI-TS



Schlüter-KERDI-TS is een set voor de betrouwbare aansluiting van inbouwelementen zoals een bad of douchebak uit staal/email, acryl of composiet (volgens DIN 18534-1) aan het Schlüter-KERDI-afdichtingssysteem. De set omvat een aansluit-dichtingsband uit polyethyleen met een vliesweefsel aan beide zijden, een zelfklevende geluidsisolatiestrip en installatiemateriaal.

(Productdatablad 8.9)



### Schlüter®-KERDI-TS

Complete aansluitingsset

L (m)	Art.-No.	€ / Set	P (set)
2	KE TS / 200	<b>90,08</b>	10
2,8	KE TS / 280	<b>108,87</b>	10
3,8	KE TS / 380	<b>128,32</b>	10

#### De complete set bevat:

- 2 / 2,8 / 3,8 m aansluit-dichtingsband
- 290 ml montagelijm Schlüter-KERDI-FIX
- 2 reinigingsdoeken
- 1 / 2 / 2 montagehoek(en)



### Schlüter®-KERDI-TSB

Basis aansluitingsset

L (m)	Art.-No.	€ / Set	P (set)
10	KE TSB / 1000	<b>208,52</b>	10

#### De basis set bevat:

- 10 m aansluit-dichtingsband
- 8 reinigingsdoeken
- 6 montagehoeken





## Afdichtingsset

## Schlüter®-KERDI-TS-ZC



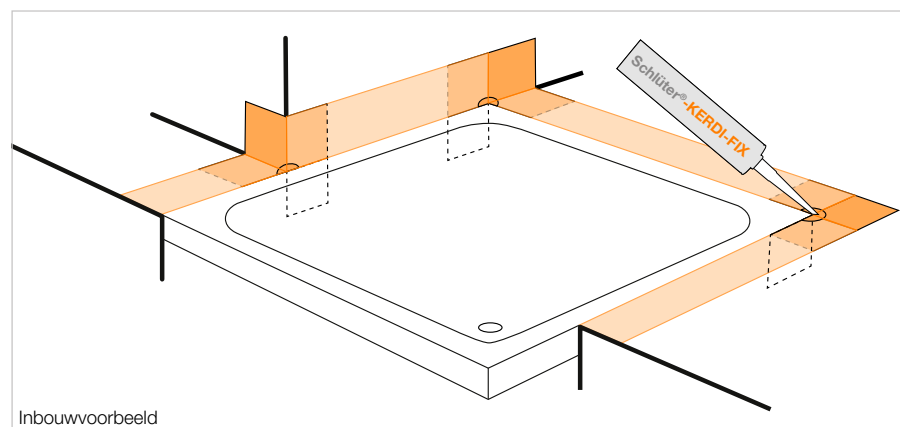
Schlüter-KERDI-TS-ZC is een uitbreidingsset voor de betrouwbare aansluiting van inbouwelementen zoals een bad of douchebak in speciale inbouwsituaties (zie schets) in combinatie met de Schlüter-KERDI-TS-aansluitingsset. De set omvat een afdichtingsmanchet en een montagehoek.

(Productdatablad 8.9)

## Schlüter®-KERDI-TS-ZC

Uitbreidingsset

Art.-No.	€ / Set	P (set)
KE TS ZC	12,88	10



Inbouwvoorbeeld

De uitbreidingsset bevat de volgende elementen:

- 1 PE manchet, aan weerszijden met vlies bekleed, 120 x 120 mm
- 1 montagehoek

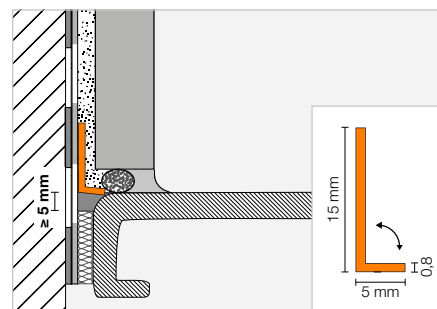
## Snijbescherming

## Schlüter®-KERDI-CP



Schlüter-KERDI-CP is een inkortbare snijbescherming die het afdichtingsvlak beschermt bij latere vernieuwing van de siliconenvoeg. Het knikbare profiel is individueel inzetbaar en kan direct in het lijmbed of in de vers aangebrachte Schlüter-KERDI-FIX worden geplaatst.

(Productdatablad 8.9)



## Schlüter®-KERDI-CP

Polypropyleen snijbescherming

L (m)	Art.-No.	€ / St.	P (st.)
2	KE CP / 200	10,31	10
2,8	KE CP / 280	14,26	10
3,8	KE CP / 380	18,81	10
10	KE CP / 1000	41,47	10





## Afdichtingslijm

### Schlüter®-KERDI-COLL-L



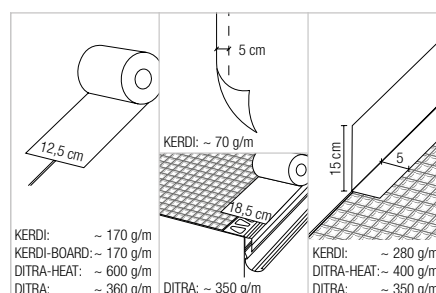
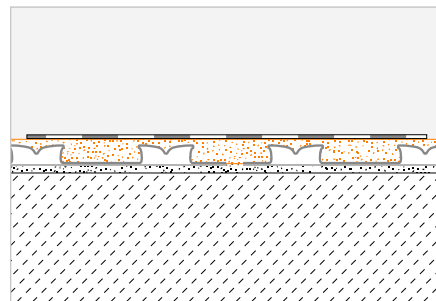
#### Schlüter®-KERDI-COLL-L

2-componenten afdichtingslijm

Gewicht (kg)	Art.-No.	€ / kg	PL (st.)
1,85	KERDI-COLL-L 185	<b>15,18</b>	110
4,25	KERDI-COLL-L	<b>12,50</b>	75

Schlüter-KERDI-COLL-L is een tweecomponenten afdichtingslijm op basis van een oplosmiddelvrije acrylaatdispersie en een reactief poeder van het cementtype. Deze lijm is bedoeld om overlappingen van Schlüter-KERDI-stroken vast te lijmen en af te dichten. Voorts kan met KERDI-COLL-L de naad- en aansluitverbinding gebeuren van de afdichtingsbanden Schlüter-KERDI-KEBA op contactafdichtingen met geschikte producten van Schlüter-Systems, alsook op Schlüter-BARA-randprofielen.

(Productdatablad 8.4)



## Montagelijm

### Schlüter®-KERDI-FIX



Schlüter-KERDI-FIX is een elastische montagelijm op basis van een MS-polymeer. Het is geschikt om profielen en Schlüter-KERDI-BOARD te verlijmen, alsook de aansluitingen van de Schlüter-KERDI-afdichtingsbanden af te dichten.

(Productdatablad 8.3)



#### Schlüter®-KERDI-FIX

MS-polymeer

Inhoud (ml)	Art.-No.	€ / St.	P (st.)
290	KERDIFIX / BW	<b>23,85</b>	12
290	KERDIFIX / G	<b>23,85</b>	12



# Schlüter®-KERDI-LINE

## Elegante afwatering



### Doucheprofiel

#### Schlüter®-KERDI-LINE-VARIO

##### Afvoer

Schlüter®-KERDI-LINE-VARIO-H 40	200
Schlüter®-KERDI-LINE-VARIO-H 50	201

##### Afwateringsprofielen

Schlüter®-KERDI-LINE-VARIO WAVE	202-203
Schlüter®-KERDI-LINE-VARIO COVE	205

##### Toebehoren

206

### Douchegoot

#### Schlüter®-KERDI-LINE

##### Afvoer

Schlüter®-KERDI-LINE-F 40	210
Schlüter®-KERDI-LINE-F 50	211
Schlüter®-KERDI-LINE-H	212
Schlüter®-KERDI-LINE-H 50 G2	213
Schlüter®-KERDI-LINE-V	214-215
Schlüter®-KERDI-LINE-V 50 G2	216

##### Rooster-/framecombinatie

Schlüter®-KERDI-LINE-STYLE	217
Schlüter®-KERDI-LINE-AV-B/-C	218-220
Schlüter®-KERDI-LINE-D	221

##### Toebehoren

221-223

#### Schlüter®-KERDI-LINE-G3

##### Afvoer

Schlüter®-KERDI-LINE-G3	224-225
-------------------------	---------

##### Rooster-/framecombinatie

Schlüter®-KERDI-LINE-STYLE	217
Schlüter®-KERDI-LINE-AV-B	218-220
Schlüter®-KERDI-LINE-D-G3	226

##### Toebehoren

221, 226



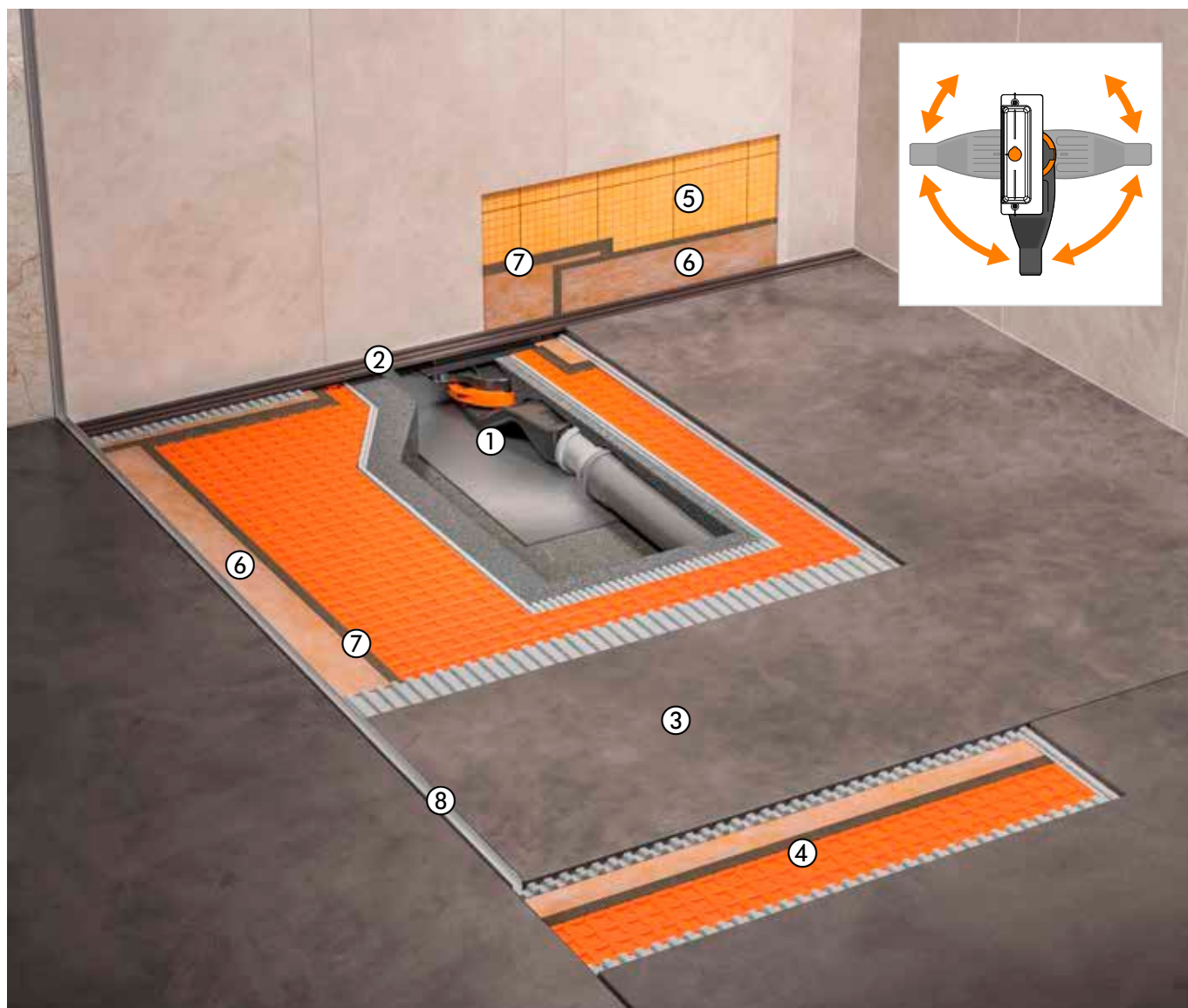


# Schlüter®-KERDI-LINE-VARIO

## Variabel afwateren als nooit tevoren

Het water loopt via de Schlüter-KERDI-LINE-VARIO afwateringsprofielen in de zeer vlakke, tweedelige afvoer. Via de combinatie van afvoeradapter met geïntegreerde, flexibele afdichtingsmanchet en golfvormige afvoer wordt het afvoerwater horizontaal naar het rioleringsnetwerk afgevoerd. Voor een goede afwatering is een dekvloer met afschot (2%) nodig.

Schlüter-DECO-SG bevestigt glazen scheidingswanden in de juiste positie. Schlüter-KERDI en -DITRA zorgen voor de afdichting aan de wand en op de vloer. Stootnaden worden afgedicht met de Schlüter-KERDI-KEBA afdichtingsbanden in verbinding met Schlüter-KERDI-COLL.



- ① Schlüter®-KERDI-LINE-VARIO-H golfvormige afvoer
- ② Schlüter®-KERDI-LINE-VARIO afwateringsprofiel
- ③ Dekvloer met afschot
- ④ Schlüter®-DITRA
- ⑤ Schlüter®-KERDI 200
- ⑥ Schlüter®-KERDI-KEBA
- ⑦ Schlüter®-KERDI-COLL
- ⑧ Schlüter®-DECO-SG

Pagina 200–201

Pagina 202–205

–

Pagina 165

Pagina 188

Pagina 189

Pagina 196

Pagina 235



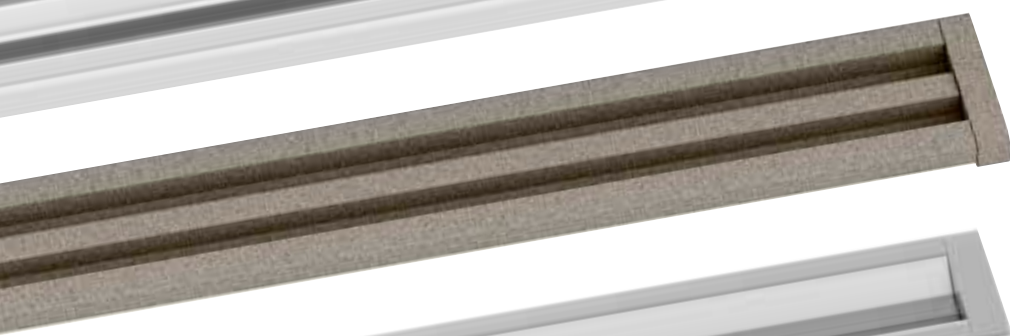
# Schlüter®-KERDI-LINE-VARIO

## Individueel inkortbare afwateringsprofielen

- ✓ Discrete, smalle afwateringsprofielen
- ✓ Hoogwaardige materialen: roestvast staal geborsteld en aluminium met TRENDLINE-coating
- ✓ Afwateringsprofielen (120 cm / 180 cm) individueel inkortbaar en in hoogte verstelbaar
- ✓ De set bevat eindkapjes
- ✓ Lage opbouwhoogte
- ✓ Geïntegreerde stankafsluiter
- ✓ Betrouwbare aansluiting met flexibele KERDI-afdichtingsmanchet
- ✓ 360° draaibare afvoerbehuizing
- ✓ Onderhoudsarm door zelfreinigend effect
- ✓ Hoge afvoercapaciteit
- ✓ Geluidsisolerend element
- ✓ Beproefde KERDI-LINE kwaliteit



Design WAVE



Design COVE

### Beschikbare oppervlakken | Kleuren





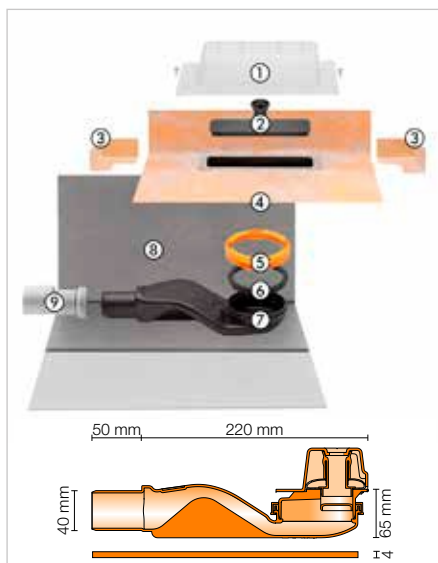
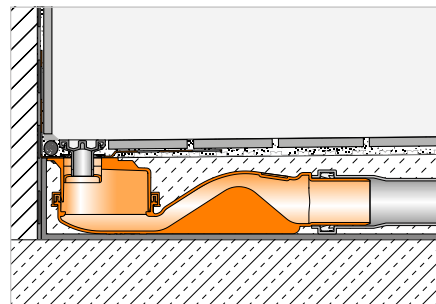
## Lijnafvoergoot horizontaal

### Schlüter®-KERDI-LINE-VARIO-H 40



Schlüter-KERDI-LINE-VARIO-H 40 is een complete set voor lineaire inloopdouches. De set bestaat uit een afvoeradapter met een geïntegreerde, flexibele KERDI-afdichtingsmanchet. De adapter is stevig en waterdicht met een af fabriek voorziene dichting in de golfvormige afvoer geschoven om een zeer lage opbouwhoogte te waarborgen. De adapter is bovendien met een klemring vastgezet. KERDI-LINE-VARIO-H 40 is universeel voor de centrale plaatsing en vooral voor de plaatsing tegen de wand geschikt. Vanwege de hoge stroomsnelheid is de afvoer zelfreinigend en onderhoudsarm. Het geluidsisolerende element dat bij de set is inbegrepen, verhindert op betrouwbare wijze geluidsoverdracht naar de omliggende constructie en dient bovendien als plaatsingshulp bij inbouw direct tegen de wand.

(Productdatablad 8.10)



#### Set-componenten:

- 1 Beschermingsafdekking
- 2 Watertestaansluiting
- 3 Hoekafdichting  
(voor opgaande zijwand)
- 4 Gootadapter  
met flexibele afdichtingsmanchet
- 5 Klemring
- 6 Dichting
- 7 Afvoerbehuizing DN 40 met stankafsluiter
- 8 Geluidsisolerend element
- 9 Adapter DN 40/50

### Schlüter®-KERDI-LINE-VARIO-H 40

Set lijnafvoergoot met golfvormige afvoer, afvoer DN 40 horizontaal

Art.-No.	€ / Set	P (set)
KL VR H40 G5	226,44	10

#### Opmerking:

Aleen combineerbaar met de Schlüter-KERDI-LINE-VARIO afwateringsprofielen.

#### Technische gegevens:

Afvoer	DN 40
Afvoercapaciteit	0,5 l/s
Restwaterhoogte	25 mm
Inbouwhoogte	65 mm

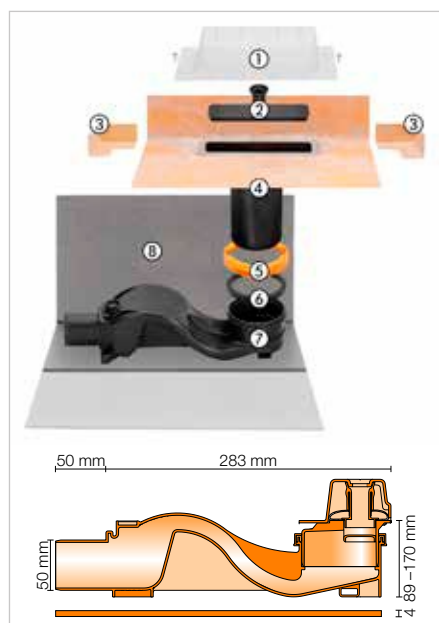
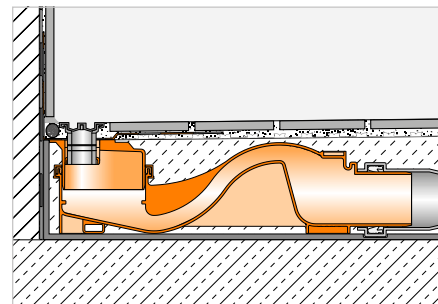
## Lijnafvoergoot horizontaal

## Schlüter®-KERDI-LINE-VARIO-H 50



Schlüter-KERDI-LINE-VARIO-H 50 is een complete set voor lineaire inloopdouches. Deze bestaat uit een afvoeradapter die ter plaatse op de juiste hoogte kan worden ingekort, met een geïntegreerde, flexibele KERDI-afdichtingsmanchet en een horizontale, 360° draaibare, golfvormige afvoer met geïntegreerde stankafsluiter. De afvoer kan met de bijgeleverde bevestigingsset op de vloer worden gefixeerd. KERDI-LINE-VARIO-H 50 is universeel voor de centrale plaatsing en vooral voor de plaatsing tegen de wand geschikt. Vanwege de hoge stroomsnelheid is de afvoer zelfreinigend en onderhoudsarm. Het geluidsisolerende element dat bij de set is inbegrepen, verhindert op betrouwbare wijze geluidsoverdracht naar de omliggende constructie en dient bovendien als plaatsingshulp bij inbouw direct tegen de wand.

(Productdatablad 8.10)



## Set-componenten:

- 1 Beschermingsafdekking
- 2 Watertestaansluiting
- 3 Hoekafdichting  
(voor opgaande zijwand)
- 4 Inkortbare gootadapter  
met flexibele afdichtingsmanchet
- 5 Klemring
- 6 Dichting
- 7 Afvoerbehuizing DN 50 met stankafsluiter
- 8 Geluidsisolerend element

## Schlüter®-KERDI-LINE-VARIO-H 50

Set lijnafvoergoot met golfvormige afvoer, afvoer DN 50 horizontaal

Art.-No.	€ / Set	P (set)
KL VR H50 A G5	242,62	10

## Opmerking:

Aleen combineerbaar met de Schlüter-KERDI-LINE-VARIO afwateringsprofielen.

## Technische gegevens:

Afvoer	DN 50
Afvoercapaciteit	0,8 l/s
Restwaterhoogte	50 mm
Inbouwhoogte	89 mm



## Afwateringsprofiel

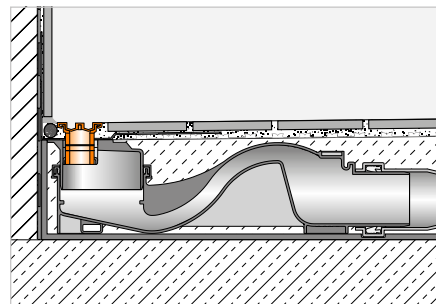
### Schlüter®-KERDI-LINE-VARIO WAVE



**i**  
Nu ook verkrijgbaar in TSG  
(structuur-gecoat grijs)

Schlüter-KERDI-LINE-VARIO WAVE is een inkortbaar W-vormig afwateringsprofiel dat bij de Schlüter-KERDI-LINE-VARIO-H afvoer wordt gebruikt. Het is verkrijgbaar in de materiaalkwaliteiten roestvast staal geborsteld V4A (materiaalnr. 1.4404 = AISI 316L) en aluminium met een hoogwaardige TRENDLINE poedercoating. Het water wordt via het midden afgevoerd door een afvoersleuf met een lengte van 140 mm. Deze is afgedekt met een elegant, afneembaar afdekelement. Het profiel wordt met twee eindkapjes geleverd en kan door het aanbrengen van dunbedmortel aan de dikte van de vloerbekleding worden aangepast.

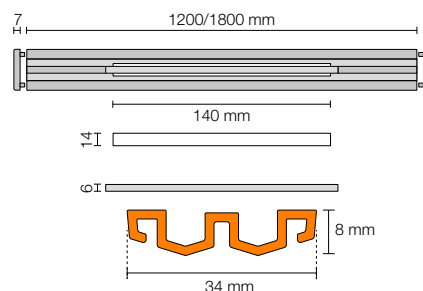
(Productdatablad 8.10)



### Schlüter®-KERDI-LINE-VARIO WAVE 34

Afwateringsprofiel, design WAVE (D 10), alu. structuur-gecoat

L (cm)	H = 8 mm Art.-No.	€ / Set	P (set)	
120	KL VR D10 MBW 120	206,57	10	
120	KL VR D10 MGS 120	206,57	10	
120	KL VR D10 TSBG 120	212,82	10	
120	KL VR D10 TSC 120	212,82	10	
120	KL VR D10 TSDA 120	212,82	10	
★	120	KL VR D10 TSG 120	212,82	10
	120	KL VR D10 TSI 120	212,82	10
	120	KL VR D10 TSOB 120	212,82	10
	120	KL VR D10 TSSG 120	212,82	10
	180	KL VR D10 MBW 180	231,83	10
	180	KL VR D10 MGS 180	231,83	10
	180	KL VR D10 TSBG 180	237,23	10
	180	KL VR D10 TSC 180	237,23	10
	180	KL VR D10 TSDA 180	237,23	10
★	180	KL VR D10 TSG 180	237,23	10
	180	KL VR D10 TSI 180	237,23	10
	180	KL VR D10 TSOB 180	237,23	10
	180	KL VR D10 TSSG 180	237,23	10



**i**  
Alleen met Schlüter-KERDI-LINE-VARIO-H afvoeren combineerbaar. De set bevat twee eindkapjes.

Geschikt voor bekledingsdikten van 6–15 mm (met DITRA of DITRA-HEAT) en 6–12 mm (met DITRA-HEAT-DUO).

In combinatie met het ophoogstuk KL VR DSE 14, geschikt voor bekledingsdikten tot 25 mm (met DITRA of DITRA-HEAT) en tot 22 mm (met DITRA-HEAT-DUO), zie pagina 206.

## Beschikbare oppervlakken | Kleuren



Een overzicht van de oppervlakken en kleuren vindt u vanaf pagina 340.



**Schlüter®-KERDI-LINE-VARIO WAVE 42**

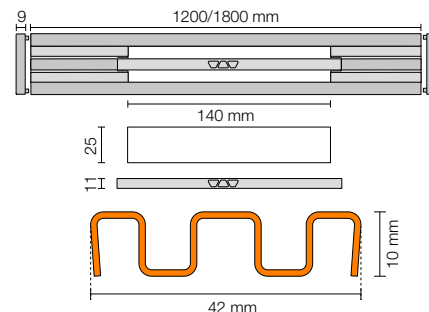
Afwateringsprofiel, design WAVE (D 10), roestvast staal V4A geborsteld

L (cm)	H = 10 mm Art.-No.	€ / Set	P (set)
120	KL VR1 D10 EB 120	<b>307,32</b>	10
180	KL VR1 D10 EB 180	<b>345,06</b>	10

Geschikt voor bekledingsdikten van 8–18 mm (met DITRA of DITRA-HEAT)  
en 8–15 mm (met DITRA-HEAT-DUO).

In combinatie met het ophoogstuk KL VR DSE 23, geschikt voor bekledingsdikten tot  
28 mm (met DITRA of DITRA-HEAT) en tot 25 mm (met DITRA-HEAT-DUO), zie pagina 206.

Het profiel KERDI-LINE-VARIO WAVE 42 van roestvast staal is toegankelijk voor rolstoelen.

**Schlüter®-KERDI-LINE-VARIO WAVE 42**

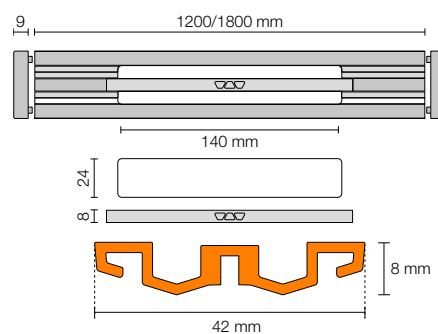
Afwateringsprofiel, design WAVE (D 10), alu. structuur-gecoat

L (cm)	H = 8 mm Art.-No.	€ / Set	P (set)	
120	KL VR1 D10 MBW 120	<b>215,66</b>	10	
120	KL VR1 D10 MGS 120	<b>215,66</b>	10	
120	KL VR1 D10 TSBG 120	<b>221,05</b>	10	
120	KL VR1 D10 TSC 120	<b>221,05</b>	10	
120	KL VR1 D10 TSDA 120	<b>221,05</b>	10	
★	120	KL VR1 D10 TSG 120	<b>221,05</b>	10
120	KL VR1 D10 TSI 120	<b>221,05</b>	10	
120	KL VR1 D10 TSOB 120	<b>221,05</b>	10	
120	KL VR1 D10 TSSG 120	<b>221,05</b>	10	
180	KL VR1 D10 MBW 180	<b>242,62</b>	10	
180	KL VR1 D10 MGS 180	<b>242,62</b>	10	
180	KL VR1 D10 TSBG 180	<b>248,01</b>	10	
180	KL VR1 D10 TSC 180	<b>248,01</b>	10	
180	KL VR1 D10 TSDA 180	<b>248,01</b>	10	
★	180	KL VR1 D10 TSG 180	<b>248,01</b>	10
180	KL VR1 D10 TSI 180	<b>248,01</b>	10	
180	KL VR1 D10 TSOB 180	<b>248,01</b>	10	
180	KL VR1 D10 TSSG 180	<b>248,01</b>	10	

Geschikt voor bekledingsdikten van 6–15 mm (met DITRA of DITRA-HEAT)  
en 6–12 mm (met DITRA-HEAT-DUO).

In combinatie met het ophoogstuk KL VR DSE 23, geschikt voor bekledingsdikten tot  
25 mm (met DITRA of DITRA-HEAT) en tot 22 mm (met DITRA-HEAT-DUO), zie pagina 206.

De profielen KERDI-LINE-VARIO WAVE 42 kunnen optioneel met de haarzeef KL VR S 23  
worden uitgerust, zie pagina 206.



**i**  
Alleen met Schlüter-KERDI-LINE-VARIO-H afvoeren combineerbaar.  
De set bevat twee eindkapjes.

**Beschikbare oppervlakken | Kleuren**

Een overzicht van de oppervlakken en kleuren vindt u vanaf pagina 340.



## Afwateringsprofiel

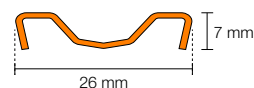
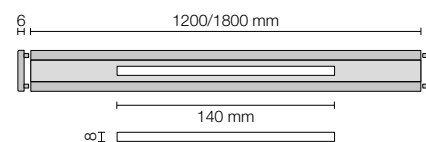
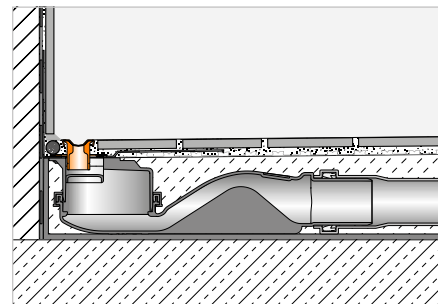
## Schlüter®-KERDI-LINE-VARIO COVE



Nu ook verkrijgbaar in TSG  
(structuur-gecoat grijs)

Schlüter-KERDI-LINE-VARIO COVE is een inkortbaar, hol afwateringsprofiel dat samen met de Schlüter-KERDI-LINE-VARIO-H afvoer wordt gebruikt. Het is verkrijgbaar in de materiaalkwaliteiten roestvast staal geborsteld V4A (materiaaln. 1.4404 = AISI 316L) en aluminium met een hoogwaardige TRENDLINE poedercoating. Het water wordt via het midden afgevoerd door een afvoersleuf met een breedte van slechts 8 mm en een lengte van 140 mm. Het profiel wordt met twee eindkapjes geleverd en kan door het aanbrengen van dunbedmortel aan de dikte van de vloerbekleding worden aangepast. Het profiel is toegankelijk voor rolstoelen.

(Productdatablad 8.10)



## Schlüter®-KERDI-LINE-VARIO COVE 26

Afwateringsprofiel, design COVE (D 9), roestvast staal V4A geborsteld

L (cm)	H = 7 mm Art.-No.	€ / Set	P (set)
120	KL VR D9 EB 120	244,47	10
180	KL VR D9 EB 180	285,75	10

## Schlüter®-KERDI-LINE-VARIO COVE 26

Afwateringsprofiel, design COVE (D 9), alu. structuur-gecoat

L (cm)	H = 8 mm Art.-No.	€ / Set	P (set)	
120	KL VR D9 MBW 120	181,53	10	
120	KL VR D9 MGS 120	181,53	10	
120	KL VR D9 TSBG 120	187,79	10	
120	KL VR D9 TSC 120	187,79	10	
120	KL VR D9 TSDA 120	187,79	10	
★	120	KL VR D9 TSG 120	187,79	10
120	KL VR D9 TSI 120	187,79	10	
120	KL VR D9 TSOB 120	187,79	10	
120	KL VR D9 TSSG 120	187,79	10	
180	KL VR D9 MBW 180	204,88	10	
180	KL VR D9 MGS 180	204,88	10	
180	KL VR D9 TSBG 180	210,27	10	
180	KL VR D9 TSC 180	210,27	10	
180	KL VR D9 TSDA 180	210,27	10	
★	180	KL VR D9 TSG 180	210,27	10
180	KL VR D9 TSI 180	210,27	10	
180	KL VR D9 TSOB 180	210,27	10	
180	KL VR D9 TSSG 180	210,27	10	

Alleen met Schlüter-KERDI-LINE-VARIO-H afvoeren combineerbaar. De set bevat twee eindkapjes.

Geschikt voor bekledingsdikten van 6–15 mm (met DITRA of DITRA-HEAT) en 6–12 mm (met DITRA-HEAT-DUO).

In combinatie met het ophoogstuk KL VR DSE 14, geschikt voor bekledingsdikten tot 25 mm (met DITRA of DITRA-HEAT) en tot 22 mm (met DITRA-HEAT-DUO), zie pagina 206.

## Beschikbare oppervlakken | Kleuren



Een overzicht van de oppervlakken en kleuren vindt u vanaf pagina 340.



## Ophoogstuk

### Schlüter®-KERDI-LINE-VARIO-DSE



KL VR DSE 14

Schlüter-KERDI-LINE-VARIO-DSE is een ophoogstukset, waarmee de desbetreffende afwateringsprofielen met 10 mm dikkere bekledingen kunnen worden gebruikt. (Productdatablad 8.10)



KL VR DSE 23

#### Schlüter®-KERDI-LINE-VARIO-DSE

Ophoogstuk voor KERDI-LINE-VARIO

Art.-No.	€ / St.	P (st.)
KL VR DSE 14	16,72	10

#### Opmerking:

Het ophoogstuk KL VR DSE 14 wordt gecombineerd met de afwateringsprofielen van de serie COVE en WAVE 34.

#### Schlüter®-KERDI-LINE-VARIO-DSE

Ophoogstuk voor KERDI-LINE-VARIO

Art.-No.	€ / Set	P (set)
KL VR DSE 23	19,41	10

#### Opmerking:

Het ophoogstuk KL VR DSE 23 wordt alleen gecombineerd met de afwateringsprofielen van de serie WAVE 42.

## Haarzeef

### Schlüter®-KERDI-LINE-VARIO-S



Schlüter-KERDI-LINE-VARIO-S is een optioneel verkrijgbare haarzeef voor de profielserie WAVE 42, die daarnaast ook voorkomt dat gevallen voorwerpen zoals bijv. sieraden in de afvoer verdwijnen. (Productdatablad 8.10)

#### Schlüter®-KERDI-LINE-VARIO-S

Haarzeef voor KERDI-LINE-VARIO WAVE 42

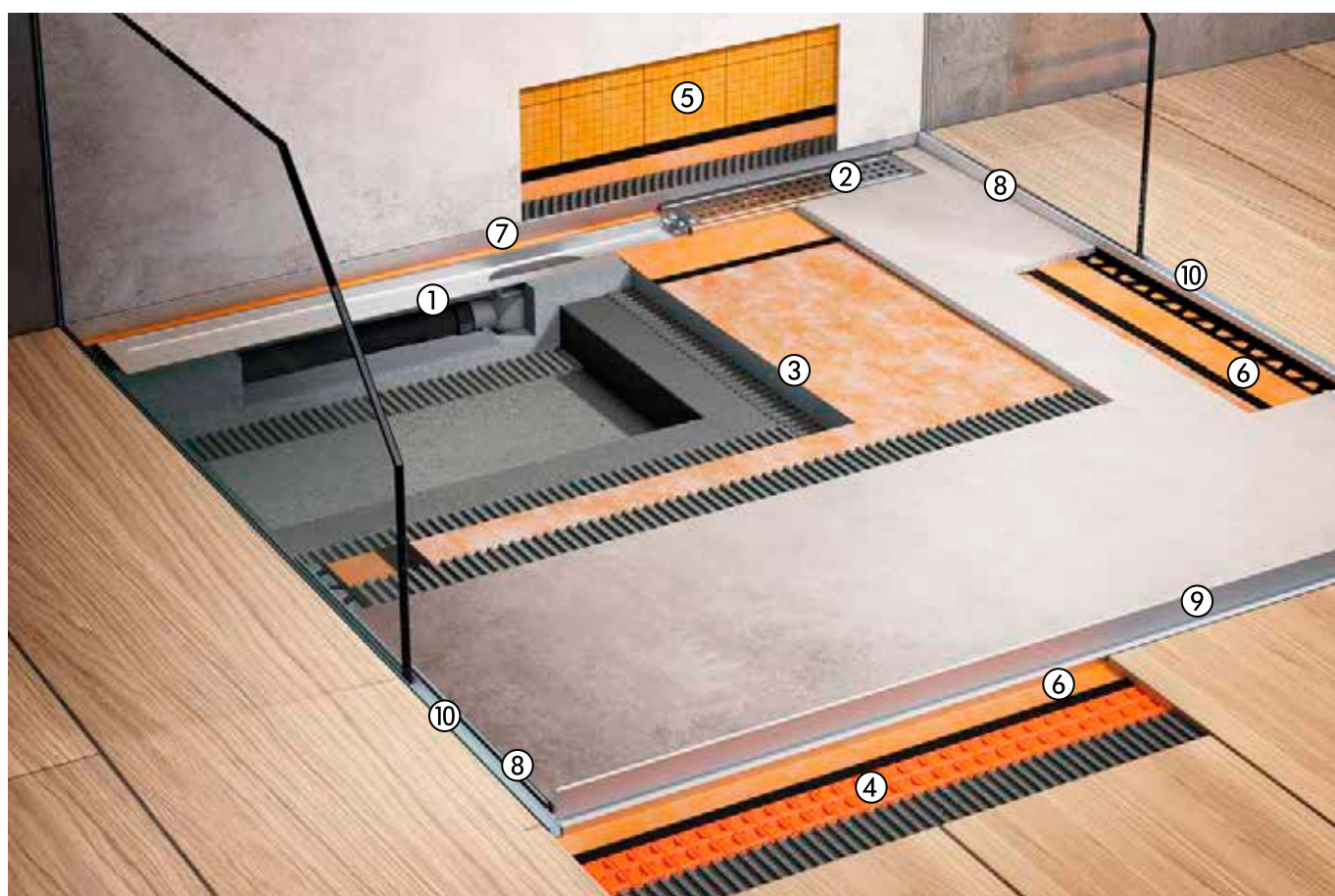
Art.-No.	€ / St.	P (st.)
KL VR S 23	15,10	10



# Schlüter®-KERDI-LINE

## Doordacht, compleet systeem

De Schlüter-KERDI-LINE lijnafvoergoot voert het water naar keuze horizontaal of verticaal af naar het rioleringsnetwerk. Met de Schlüter-KERDI-SHOWER hellingsplaat wordt snel een vlakke en afgedichte ondergrond gerealiseerd voor de plaatsing van tegels. Schlüter-SHOWERPROFILE bedekt de vrije randen van de douche en zorgt voor een functionele overstromingsbeveiliging. Schlüter-DECO-SG bevestigt glazen scheidingswanden in de juiste positie. Schlüter-KERDI en -DITRA zorgen voor de afdichting aan de wand en op de vloer. Stootnaden worden afgedicht met de Schlüter-KERDI-KEBA afdichtingsbanden in verbinding met Schlüter-KERDI-COLL.



- ① Schlüter®-KERDI-LINE goot
- ② Schlüter®-KERDI-LINE rooster-/framesets
- ③ Schlüter®-KERDI-SHOWER
- ④ Schlüter®-DITRA
- ⑤ Schlüter®-KERDI 200
- ⑥ Schlüter®-KERDI-KEBA
- ⑦ Schlüter®-SHOWERPROFILE-R
- ⑧ Schlüter®-SHOWERPROFILE-S
- ⑨ Schlüter®-SHOWERPROFILE-WS/-WSK
- ⑩ Schlüter®-DECO-SG

Pagina 210–216, 224–225

Pagina 217–221

Pagina 228–229

Pagina 165

Pagina 188

Pagina 189

Pagina 232

Pagina 230–231

Pagina 233–234

Pagina 235





# Schlüter®-KERDI-LINE-STYLE

Elegante designafdekkingen met inlegframe



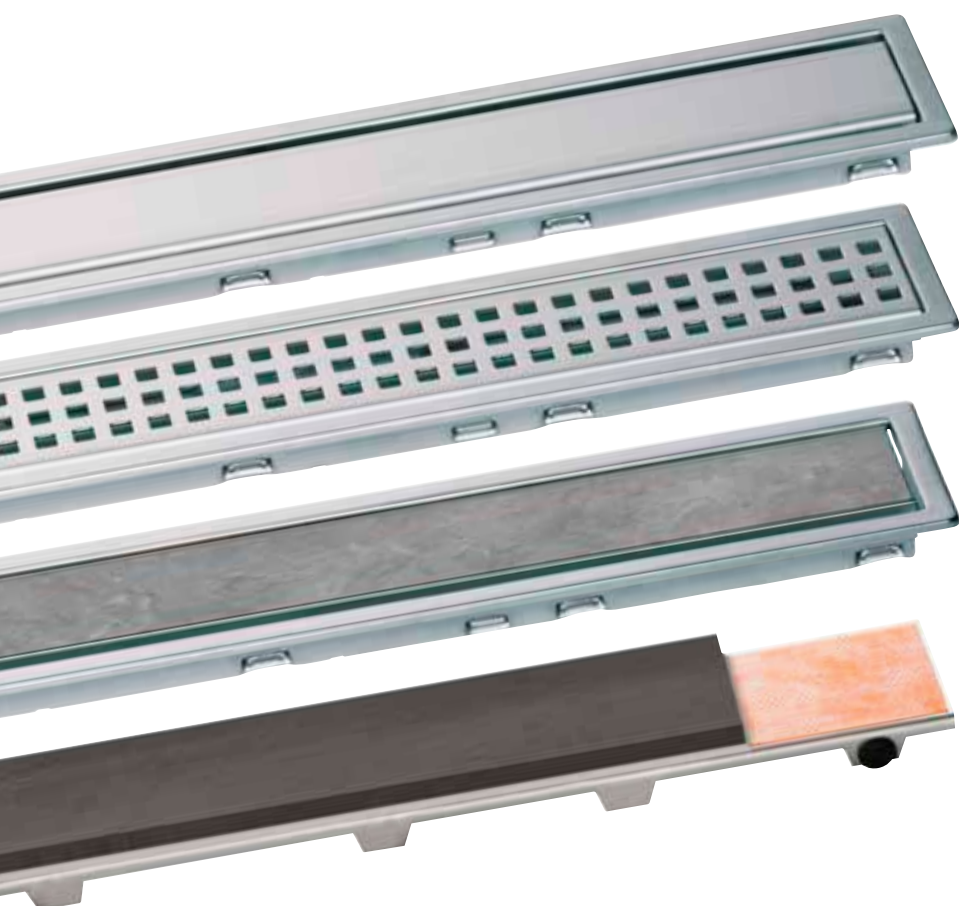
Design FLORAL

Design CURVE

Design PURE

# Schlüter®-KERDI-LINE

De klassiekers met profielframe



Design A: SOLID

Design B: SQUARE

Design C: FRAMED TILE

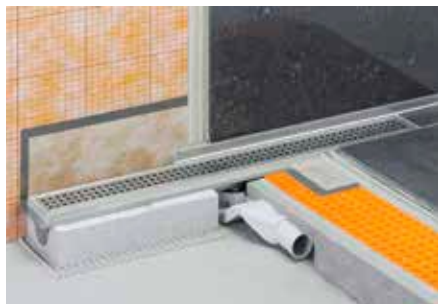
Design D: TILE (zonder frame)



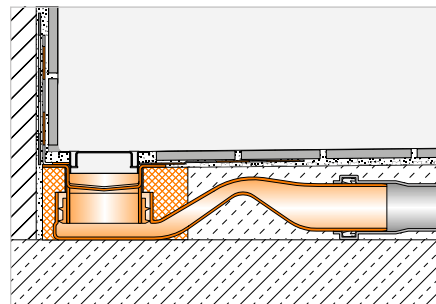


## Lijnafvoergoot horizontaal

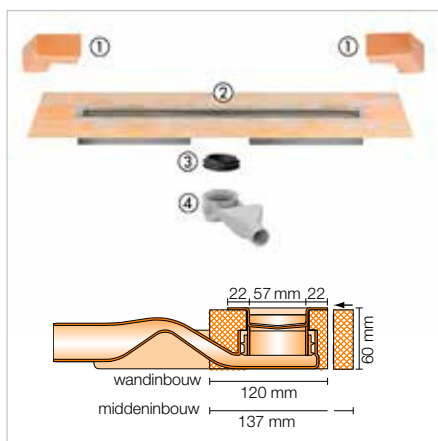
### Schlüter®-KERDI-LINE-F 40



Schlüter-KERDI-LINE-F 40 is een volledige set voor lineaire inloofdouches met een horizontale golfvormige afvoer met geïntegreerde stankafsluiter. De set is universeel voor de centrale plaatsing of plaatsing tegen de wand te gebruiken en dankzij de geringe inbouwhoogte van slechts 60 mm bijzonder geschikt voor renovaties. Voor de betrouwbare aansluiting op de contactafdichting is op de kleefflens van de goot een standaard voorziene manchet uit Schlüter-KERDI vast verlijmd.



(Productdatablad 8.7)



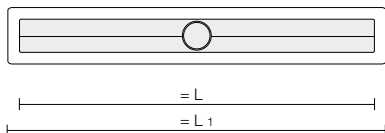
### Schlüter®-KERDI-LINE-F 40

Set roestvaststalen lijnafvoergoot V4A met geïntegreerde stankafsluiter, afvoer DN 40 horizontaal

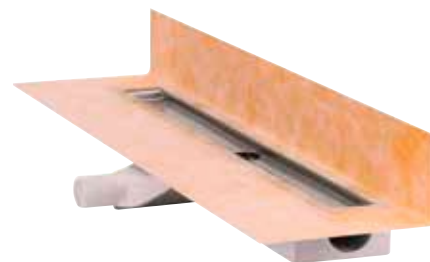
L (cm)	L1 (cm)	Art.-No.	€ / Set	P (set)
50	55	KLF 40 GE 50	<b>300,54</b>	10
60	65	KLF 40 GE 60	<b>312,71</b>	10
70	75	KLF 40 GE 70	<b>324,90</b>	10
80	85	KLF 40 GE 80	<b>337,03</b>	10
90	95	KLF 40 GE 90	<b>350,01</b>	10
100	105	KLF 40 GE 100	<b>362,92</b>	10
110	115	KLF 40 GE 110	<b>372,82</b>	10
120	125	KLF 40 GE 120	<b>384,24</b>	10

#### Set-componenten:

- 1 Hoekafdichting (voor zijdelingse wandaansluiting)
- 2 Goot met afdichtingsmanchet en gootdrager
- 3 Lipdichting
- 4 Afvoerbehuizing met stankafsluiter



Schlüter-KERDI manchet, vlakliggend voor middeninbouw



Schlüter-KERDI manchet, opgezet voor wandinbouw

#### Technische gegevens:

Afvoer	DN 40
Afvoercapaciteit	0,45 l/s
Restwaterhoogte	25 mm
Inbouwhoogte	60 mm
Breedte van de afdekking incl. frame	74 mm

#### Opmerking:

Passende rooster-/framecombinaties of tegeldrager vindt u op pagina 217–221.



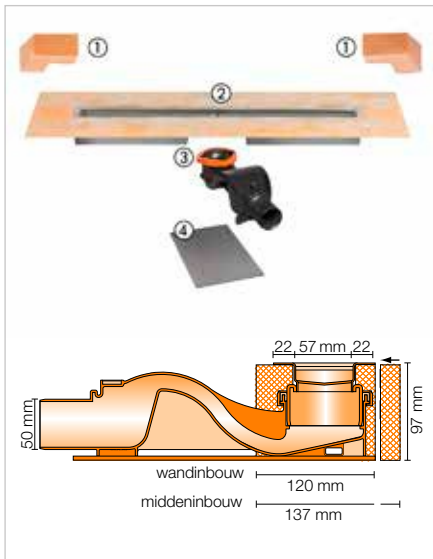
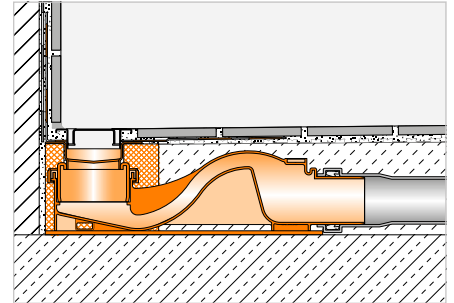
## Lijnafvoergoot horizontaal

## Schlüter®-KERDI-LINE-F 50



Schlüter-KERDI-LINE-F 50 is een volledige set voor lineaire inloepdouches met een horizontale golfvormige afvoer met geïntegreerde stankafsluiter. De set is universeel voor de centrale plaatsing of plaatsing tegen de wand geschikt. De afvoercapaciteit bedraagt conform DIN EN 1253  $\geq 0,8$  l/s en de restwaterhoogte van de stankafsluiter 50 mm. Voor een betrouwbare aansluiting op de contactafdichting is op de kleefflens van de goot een standaard voorziene manchet uit Schlüter-KERDI vast verlijmd.

(Productdatablad 8.7)



## Schlüter®-KERDI-LINE-F 50

Set roestvaststalen lijnafvoergoot V4A met geïntegreerde stankafsluiter, afvoer DN 50 horizontaal

L (cm)	L1 (cm)	Art.-No.	€ / Set	P (set)
50	55	KLF 50 GE 50	<b>328,00</b>	10
60	65	KLF 50 GE 60	<b>343,38</b>	10
70	75	KLF 50 GE 70	<b>353,63</b>	10
80	85	KLF 50 GE 80	<b>369,00</b>	10
90	95	KLF 50 GE 90	<b>384,38</b>	10
100	105	KLF 50 GE 100	<b>394,63</b>	10
110	115	KLF 50 GE 110	<b>410,00</b>	10
120	125	KLF 50 GE 120	<b>420,25</b>	10
130	135	KLF 50 GE 130	<b>558,63</b>	10
140	145	KLF 50 GE 140	<b>574,00</b>	10
150	155	KLF 50 GE 150	<b>589,38</b>	10
160	165	KLF 50 GE 160	<b>609,88</b>	10
170	175	KLF 50 GE 170	<b>630,38</b>	10
180	185	KLF 50 GE 180	<b>640,63</b>	10

## Set-componenten:

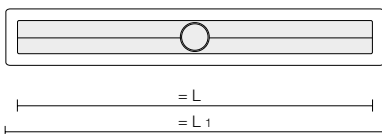
- 1 Hoekafdichting (voor zijdelingse wandaansluiting)
- 2 Goot met afdichtingsmanchet en gootdrager
- 3 Afvoerbehuizing DN 50 met stankafsluiter, klemring en dichting
- 4 Geluidsisolerend element



Schlüter-KERDI manchet, vlakliggend voor middeninbouw



Schlüter-KERDI manchet, opgezet voor wandinbouw



## Technische gegevens:

Afvoer	DN 50
Afvoercapaciteit	0,8 l/s
Restwaterhoogte	50 mm
Inbouwhoogte	97 mm
Breedte van de afdekking incl. frame	74 mm

## Opmerking:

Passende rooster-/framecombinaties of tegeldrager vindt u op pagina 217–221.

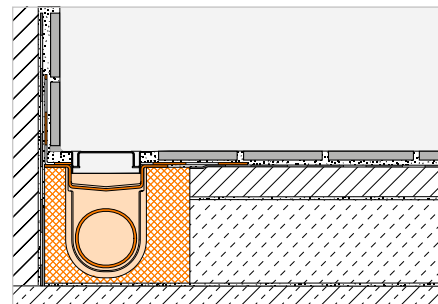


## Lijnafvoergoot horizontaal

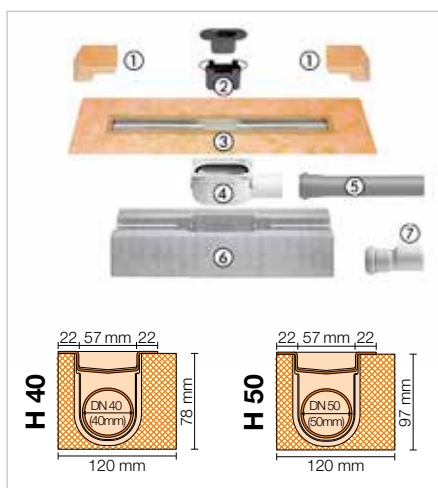
### Schlüter®-KERDI-LINE-H



Schlüter-KERDI-LINE-H is een volledige set voor lineaire inloopdouches met een horizontale afvoer. Ze is universeel voor de centrale plaatsing of plaatsing tegen de wand geschikt. Op de rondom liggende kleefflens van de goot is een standaard voorziene manchet uit Schlüter-KERDI vast verlijmd. Deze dient voor de betrouwbare aansluiting van de goot op de contactafdichting, zowel op vloeren als tegen opgaande wanden.

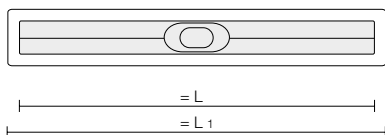


(Productdatablad 8.7)



#### Set-componenten:

- 1 Hoekafdichting (voor zijdelingse wandaansluiting)
- 2 Tweedelige stankafsluiter
- 3 Goot met afdichtingsmanchet
- 4 Afvoerbehuizing
- 5 Afvoerbuïs
- 6 Gootdrager
- 7 Verloopstuk DN 40 naar DN 50 (enkel voor KERDI-LINE-H 40)



#### Technische gegevens:

	DN 40	DN 50
Afvoer	DN 40	DN 50
Afvoercapaciteit	0,5 l/s	0,6 l/s
Restwaterhoogte	25 mm	30 mm
Inbouwhoogte	78 mm	97 mm
Breedte van de afdekking incl. frame	74 mm	74 mm

### Schlüter®-KERDI-LINE-H 40

Set roestvaststalen lijnafvoergoot V4A met stankafsluiter, afvoer DN 40 horizontaal

L (cm)	L1 (cm)	Art.-No.	€ / Set	P (set)
50	55	KLH 40 GE 50	<b>300,54</b>	10
60	65	KLH 40 GE 60	<b>312,71</b>	10
70	75	KLH 40 GE 70	<b>324,90</b>	10
80	85	KLH 40 GE 80	<b>337,03</b>	10
90	95	KLH 40 GE 90	<b>350,01</b>	10
100	105	KLH 40 GE 100	<b>362,92</b>	10
110	115	KLH 40 GE 110	<b>372,82</b>	10
120	125	KLH 40 GE 120	<b>384,24</b>	10
130	135	KLH 40 GE 130	<b>508,93</b>	10
140	145	KLH 40 GE 140	<b>522,38</b>	10
150	155	KLH 40 GE 150	<b>538,03</b>	10
160	165	KLH 40 GE 160	<b>557,28</b>	10
170	175	KLH 40 GE 170	<b>574,37</b>	10
180	185	KLH 40 GE 180	<b>593,99</b>	10

### Schlüter®-KERDI-LINE-H 50

Set roestvaststalen lijnafvoergoot V4A met stankafsluiter, afvoer DN 50 horizontaal

L (cm)	L1 (cm)	Art.-No.	€ / Set	P (set)
50	55	KLH 50 GE 50	<b>300,54</b>	10
60	65	KLH 50 GE 60	<b>312,71</b>	10
70	75	KLH 50 GE 70	<b>324,90</b>	10
80	85	KLH 50 GE 80	<b>337,03</b>	10
90	95	KLH 50 GE 90	<b>350,01</b>	10
100	105	KLH 50 GE 100	<b>362,92</b>	10
110	115	KLH 50 GE 110	<b>372,82</b>	10
120	125	KLH 50 GE 120	<b>384,24</b>	10
130	135	KLH 50 GE 130	<b>508,93</b>	10
140	145	KLH 50 GE 140	<b>522,38</b>	10
150	155	KLH 50 GE 150	<b>538,03</b>	10
160	165	KLH 50 GE 160	<b>557,28</b>	10
170	175	KLH 50 GE 170	<b>574,37</b>	10
180	185	KLH 50 GE 180	<b>593,99</b>	10

#### Opmerking:

Passende rooster-/framecombinaties of tegeldrager vindt u op pagina 217-221.

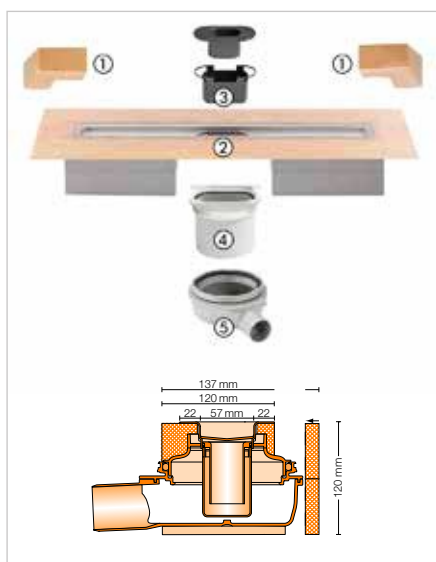
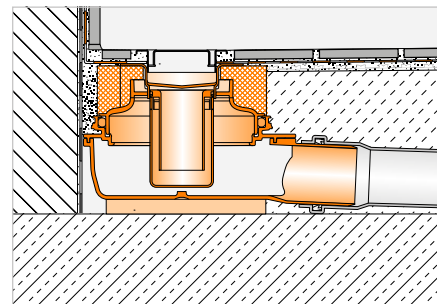
## Lijnafvoergoot horizontaal

## Schlüter®-KERDI-LINE-H 50 G2



Schlüter-KERDI-LINE-H 50 G2 is een volledige set voor lineaire inloofdouches met een horizontale afvoer. De set is universeel geschikt voor centrale plaatsing of plaatsing tegen de wand. De afvoercapaciteit bedraagt conform DIN EN 1253  $\geq 0,8$  l/s en de restwaterhoogte van de stankafsluiter 50 mm. Voor een betrouwbare aansluiting op de contactafdichting is op de contactafdichting een standaard voorziene manchet uit Schlüter-KERDI vast verlijmd.

(Productdatablad 8.7)



## Schlüter®-KERDI-LINE-H 50 G2

Set roestvaststalen lijnafvoergoot V4A met stankafsluiter, afvoer DN 50 horizontaal

L (cm)	L1 (cm)	Art.-No.	€ / Set	P (set)
50	55	KLH 50 G2E 50	<b>377,02</b>	10
60	65	KLH 50 G2E 60	<b>390,72</b>	10
70	75	KLH 50 G2E 70	<b>404,44</b>	10
80	85	KLH 50 G2E 80	<b>411,29</b>	10
90	95	KLH 50 G2E 90	<b>425,01</b>	10
100	105	KLH 50 G2E 100	<b>438,73</b>	10
110	115	KLH 50 G2E 110	<b>445,58</b>	10
120	125	KLH 50 G2E 120	<b>459,28</b>	10
130	135	KLH 50 G2E 130	<b>582,66</b>	10
140	145	KLH 50 G2E 140	<b>596,37</b>	10
150	155	KLH 50 G2E 150	<b>610,09</b>	10
160	165	KLH 50 G2E 160	<b>630,63</b>	10
170	175	KLH 50 G2E 170	<b>644,36</b>	10
180	185	KLH 50 G2E 180	<b>664,91</b>	10

## Set-componenten:

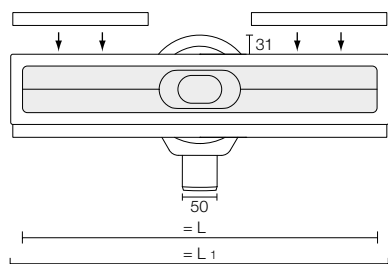
- 1 Hoekafdichting (voor opgaande zijwand)
- 2 Goot met afdichtingsmanchet en gootdrager
- 3 Tweedelige stankafsluiter
- 4 Adapter
- 5 Afvoerbehuizing

## Technische gegevens:

Afvoer	DN 50
Afvoercapaciteit	0,8 l/s
Restwaterhoogte	50 mm
Inbouwhoogte	120 mm
Breedte van de afdekking incl. frame	74 mm

## Opmerking:

Passende rooster-/framecombinaties of tegeldrager vindt u op pagina 217–221.





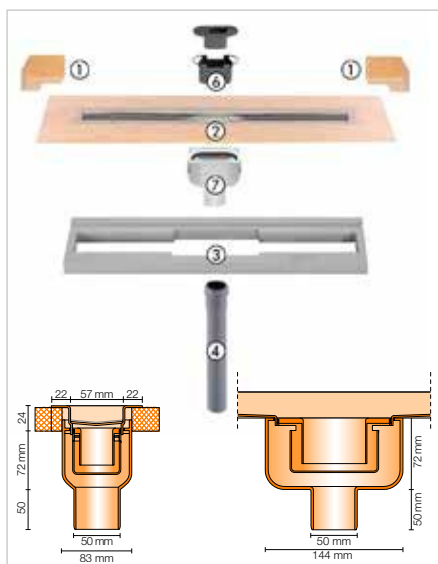
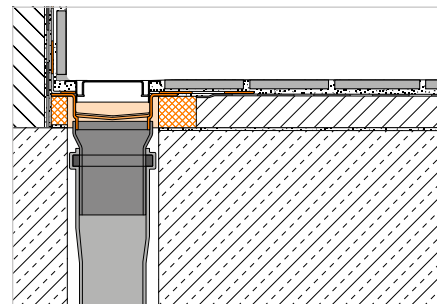
## Lijnafvoergoot verticaal

### Schlüter®-KERDI-LINE-V



Schlüter-KERDI-LINE-V is een volledige set voor lineaire inloofdouches met een verticale afvoer. Ze is universeel voor de centrale plaatsing of plaatsing tegen de wand geschikt. Op de rondom liggende kleefflens van de goot is een standaard voorziene manchet uit Schlüter-KERDI vast verlijmd. Deze dient voor de betrouwbare aansluiting van de goot op de contactafdichting, zowel op vloeren als tegen opgaande wanden.

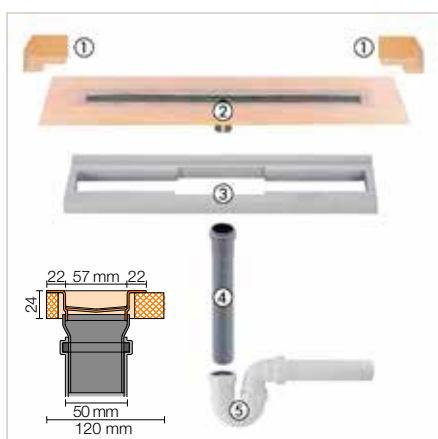
(Productdatablad 8.7)



### Schlüter®-KERDI-LINE-V

Set roestvaststalen lijnafvoergoot V4A met stankafsluiter, afvoer DN 50 verticaal

L (cm)	L1 (cm)	Art.-No.	€ / Set	P (set)
50	55	KLV 50 GE 50	<b>300,54</b>	10
60	65	KLV 50 GE 60	<b>312,71</b>	10
70	75	KLV 50 GE 70	<b>324,90</b>	10
80	85	KLV 50 GE 80	<b>337,03</b>	10
90	95	KLV 50 GE 90	<b>350,01</b>	10
100	105	KLV 50 GE 100	<b>362,92</b>	10
110	115	KLV 50 GE 110	<b>372,82</b>	10
120	125	KLV 50 GE 120	<b>384,24</b>	10
130	135	KLV 50 GE 130	<b>508,93</b>	10
140	145	KLV 50 GE 140	<b>522,38</b>	10
150	155	KLV 50 GE 150	<b>538,03</b>	10
160	165	KLV 50 GE 160	<b>557,28</b>	10
170	175	KLV 50 GE 170	<b>574,37</b>	10
180	185	KLV 50 GE 180	<b>593,99</b>	10



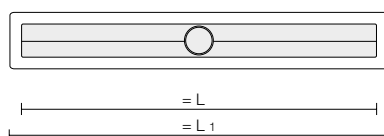
### Schlüter®-KERDI-LINE-VS

Set roestvaststalen lijnafvoergoot V4A met sifon, afvoer DN 50 verticaal

L (cm)	L1 (cm)	Art.-No.	€ / Set	P (set)
50	55	KLV 50 GSE 50	<b>300,54</b>	10
60	65	KLV 50 GSE 60	<b>312,71</b>	10
70	75	KLV 50 GSE 70	<b>324,90</b>	10
80	85	KLV 50 GSE 80	<b>337,03</b>	10
90	95	KLV 50 GSE 90	<b>350,01</b>	10
100	105	KLV 50 GSE 100	<b>362,92</b>	10
110	115	KLV 50 GSE 110	<b>372,82</b>	10
120	125	KLV 50 GSE 120	<b>384,24</b>	10
130	135	KLV 50 GSE 130	<b>508,93</b>	10
140	145	KLV 50 GSE 140	<b>522,38</b>	10
150	155	KLV 50 GSE 150	<b>538,03</b>	10
160	165	KLV 50 GSE 160	<b>557,28</b>	10
170	175	KLV 50 GSE 170	<b>574,37</b>	10
180	185	KLV 50 GSE 180	<b>593,99</b>	10

#### Set-componenten:

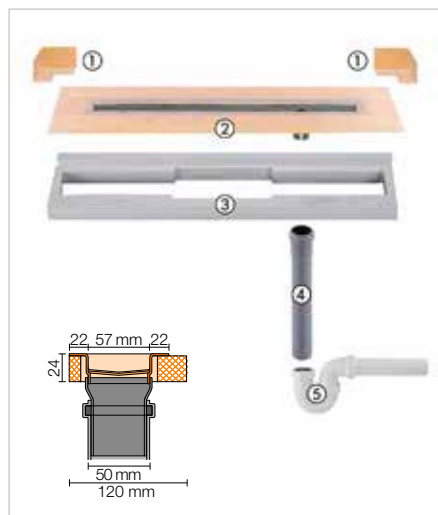
- 1 Hoekafdichting (voor zijdelingse wandaansluiting)
- 2 Goot met afdichtingsmanchet
- 3 Gootdrager
- 4 Afvoerbuys DN 50 (L = 250 mm)
- 5 Buissifon
- 6 Tweedelige stankafsluiter
- 7 Afvoerbehuizing



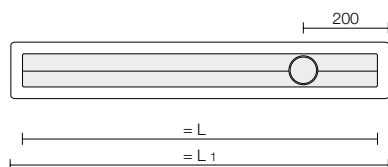
#### Opmerking:

Passende rooster-/framecombinaties of tegeldrager vindt u op pagina 217-221.



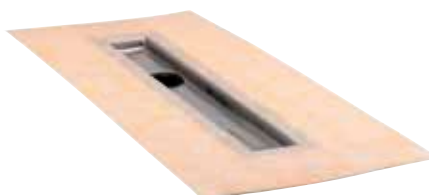
**Set-componenten:**

- 1 Hoekafdichting (voor zijdelingse wandaansluiting)
- 2 Goot met afdichtingsmanchet
- 3 Gootdrager
- 4 Afvoerbuïs DN 50 (L = 250 mm)
- 5 Buïssifon

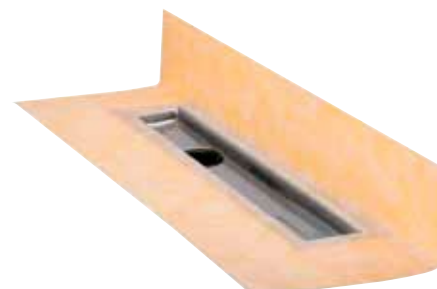
**Schlüter®-KERDI-LINE-VOS**

Set roestvaststalen lijnafvoergoot V4A met sifon, decentrale afwatering, afvoer DN 50 verticaal

L (cm)	L1 (cm)	Art.-No.	€ / Set	P (set)
70	75	KLVO 50 GSE 70	<b>385,69</b>	10
80	85	KLVO 50 GSE 80	<b>397,71</b>	10
90	95	KLVO 50 GSE 90	<b>414,43</b>	10
100	105	KLVO 50 GSE 100	<b>429,32</b>	10
110	115	KLVO 50 GSE 110	<b>438,42</b>	10
120	125	KLVO 50 GSE 120	<b>450,80</b>	10



Schlüter-KERDI manchet, vlakliggend voor middeninbouw



Schlüter-KERDI manchet, opgezet voor wandinbouw

**Technische gegevens:**

	-V	-VS/-VOS
Afvoer	DN 50	DN 50
Afvoercapaciteit	0,8 l/s	1,0 l/s
Restwaterhoogte	30 mm	50 mm
Inbouwhoogte	24 mm	24 mm
Breedte van de afdekking incl. frame	74 mm	74 mm

**Opmerking:**

Passende rooster-/framecombinaties vindt u op pagina 217–220. KERDI-LINE-VOS kan niet met KERDI-LINE-D worden gecombineerd.



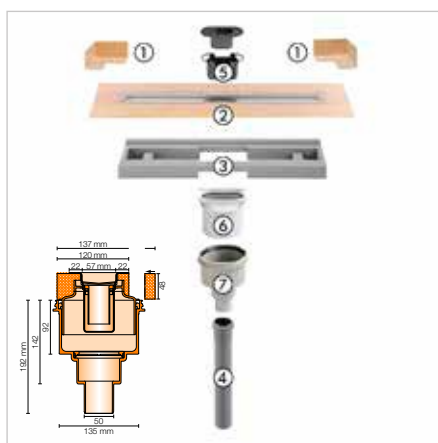
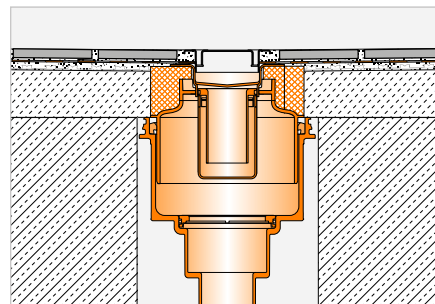
## Lijnafvoergoot verticaal

### Schlüter®-KERDI-LINE-V 50 G2



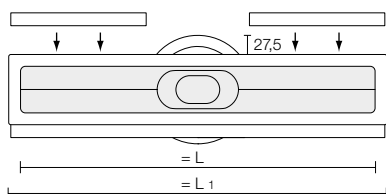
Schlüter-KERDI-LINE-V 50 G2 is een volledige set voor lineaire inloepdouches met een verticale afvoer. De set is universeel geschikt voor centrale plaatsing of plaatsing tegen de wand. De afvoercapaciteit bedraagt conform DIN EN 1253  $\geq 0,8$  l/s en de restwaterhoogte van de stankafsluiter 50 mm. Voor een betrouwbare aansluiting op de contactafdichting is op de kleefflens van de goot een standaard voorziene manchet uit Schlüter-KERDI vast verlijmd.

(Productdatablad 8.7)



#### Set-componenten:

- 1 Hoekafdichting  
(voor zijdelingse wandaansluiting)
- 2 Goot met afdichtingsmanchet
- 3 Gootdrager
- 4 Afvoerbuis
- 5 Tweedelige stankafsluiter
- 6 Adapter
- 7 Afvoerbehuizing



### Schlüter®-KERDI-LINE-V 50 G2

Set roestvaststalen lijnafvoergoot V4A met stankafsluiter, afvoer DN 50 verticaal

L (cm)	L1 (cm)	Art.-No.	€ / Set	P (set)
50	55	KLV 50 G2E 50	<b>377,02</b>	10
60	65	KLV 50 G2E 60	<b>390,72</b>	10
70	75	KLV 50 G2E 70	<b>404,44</b>	10
80	85	KLV 50 G2E 80	<b>411,29</b>	10
90	95	KLV 50 G2E 90	<b>425,01</b>	10
100	105	KLV 50 G2E 100	<b>438,73</b>	10
110	115	KLV 50 G2E 110	<b>445,58</b>	10
120	125	KLV 50 G2E 120	<b>459,28</b>	10
130	135	KLV 50 G2E 130	<b>582,66</b>	10
140	145	KLV 50 G2E 140	<b>596,37</b>	10
150	155	KLV 50 G2E 150	<b>610,09</b>	10
160	165	KLV 50 G2E 160	<b>630,63</b>	10
170	175	KLV 50 G2E 170	<b>644,36</b>	10
180	185	KLV 50 G2E 180	<b>664,91</b>	10

#### Technische gegevens:

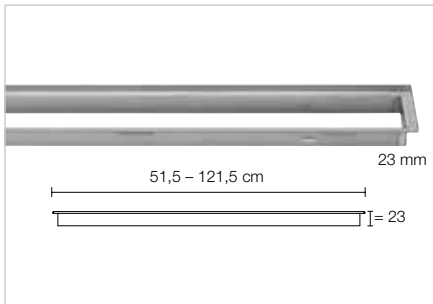
Afvoer	DN 50
Afvoercapaciteit	1,0 l/s
Restwaterhoogte	50 mm
Inbouwhoogte	48 mm
Breedte van de afdekking incl. frame	74 mm

#### Opmerking:

Passende rooster-/framecombinaties of tegeldrager vindt u op pagina 217–221.

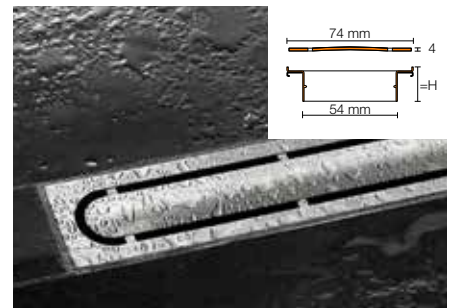
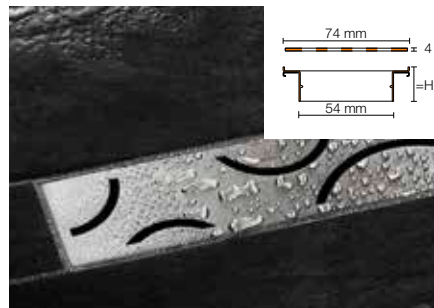
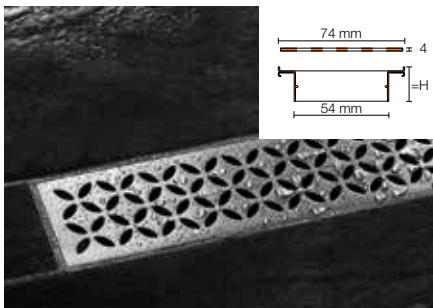
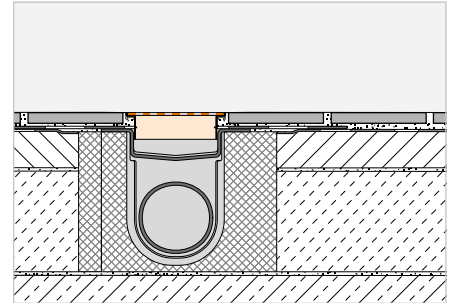
## Rooster-/framecombinatie

### Schlüter®-KERDI-LINE-STYLE



Schlüter-KERDI-LINE-STYLE zijn inlegframes met stijlvolle design-afdekkingen uit roestvast staal geborsteld die passen bij Schlüter-KERDI-LINE-goten. Het inlegframe kan voor bekledingsmateriaal van 6 - 18 mm traploos in de hoogte worden aangepast. De afdekkingen zijn verkrijgbaar in de designs FLORAL, CURVE en PURE.

(Productdatablad 8.7)



#### Schlüter®-KERDI-LINE-IF-E

Design FLORAL, 23 mm frame, roestvast staal V4A geborsteld

L (cm)	H = 23 mm Art.-No.	€ / Set	P (set)
50	KLIFE 23 EB 50	<b>353,00</b>	10
60	KLIFE 23 EB 60	<b>366,32</b>	10
70	KLIFE 23 EB 70	<b>379,64</b>	10
80	KLIFE 23 EB 80	<b>406,28</b>	10
90	KLIFE 23 EB 90	<b>432,92</b>	10
100	KLIFE 23 EB 100	<b>459,56</b>	10
110	KLIFE 23 EB 110	<b>486,22</b>	10
120	KLIFE 23 EB 120	<b>512,84</b>	10

#### Schlüter®-KERDI-LINE-IF-F

Design CURVE, 23 mm frame, roestvast staal V4A geborsteld

L (cm)	H = 23 mm Art.-No.	€ / Set	P (set)
50	KLIFF 23 EB 50	<b>339,69</b>	10
60	KLIFF 23 EB 60	<b>353,00</b>	10
70	KLIFF 23 EB 70	<b>366,32</b>	10
80	KLIFF 23 EB 80	<b>386,32</b>	10
90	KLIFF 23 EB 90	<b>406,28</b>	10
100	KLIFF 23 EB 100	<b>426,27</b>	10
110	KLIFF 23 EB 110	<b>446,24</b>	10
120	KLIFF 23 EB 120	<b>466,23</b>	10

#### Schlüter®-KERDI-LINE-IF-G

Design PURE, 23 mm frame, roestvast staal V4A geborsteld

L (cm)	H = 23 mm Art.-No.	€ / Set	P (set)
50	KLIFG 23 EB 50	<b>379,64</b>	10
60	KLIFG 23 EB 60	<b>392,97</b>	10
70	KLIFG 23 EB 70	<b>406,28</b>	10
80	KLIFG 23 EB 80	<b>426,27</b>	10
90	KLIFG 23 EB 90	<b>446,24</b>	10
100	KLIFG 23 EB 100	<b>466,23</b>	10
110	KLIFG 23 EB 110	<b>486,22</b>	10
120	KLIFG 23 EB 120	<b>512,84</b>	10

#### Opmerking:

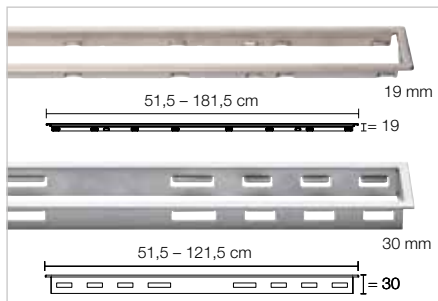
H = 23 mm voor bekledingsdikte 6 - 18 mm

De afdekkingen en het frame kunnen niet worden gecombineerd met Schlüter-KERDI-LINE-A/-B/-C/-D.

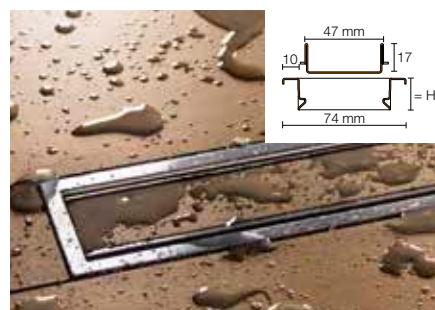
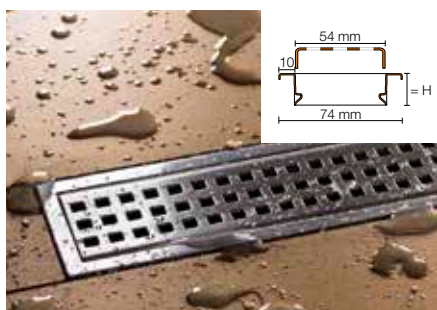
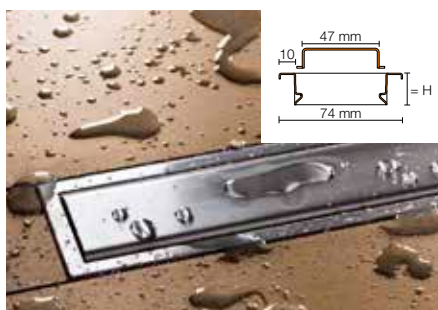
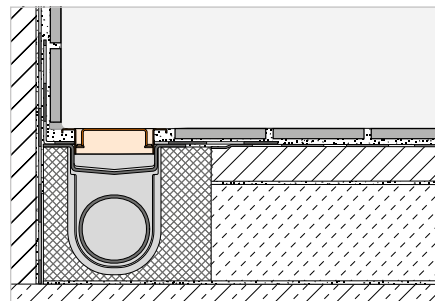


## Rooster-/framecombinatie

### Schlüter®-KERDI-LINE-A/-B/-C



Schlüter-KERDI-LINE zijn profielframes, naar keuze uit geborsteld, hoogglans gepolijst of kleurgecoat roestvast staal, met de klassieke afdekkingen, die passen bij de KERDI-LINE-goten. De profielframes kunnen voor bekledingsmateriaal van 3 - 25 mm traploos in de hoogte worden aangepast. De afdekkingen zijn verkrijgbaar in de designs SOLID (A), SQUARE (B) en FRAMED TILE (C). (Productdatablad 8.7)



#### Schlüter®-KERDI-LINE-A

Design SOLID, 19 mm frame, roestvast staal V4A geborsteld

L (cm)	H = 19 mm Art.-No.	€ / Set	P (set)
50	KLA 19 EB 50	245,75	10
60	KLA 19 EB 60	252,32	10
70	KLA 19 EB 70	258,70	10
80	KLA 19 EB 80	265,22	10
90	KLA 19 EB 90	271,65	10
100	KLA 19 EB 100	278,03	10
110	KLA 19 EB 110	284,84	10
120	KLA 19 EB 120	291,42	10
130	KLA 19 EB 130	414,78	10
140	KLA 19 EB 140	433,69	10
150	KLA 19 EB 150	448,60	10
160	KLA 19 EB 160	472,58	10
170	KLA 19 EB 170	492,22	10
180	KLA 19 EB 180	508,93	10

#### Schlüter®-KERDI-LINE-B

Design SQUARE, 19 mm frame, roestvast staal V4A geborsteld

L (cm)	H = 19 mm Art.-No.	€ / Set	P (set)
50	KLB 19 EB 50	245,75	10
60	KLB 19 EB 60	252,32	10
70	KLB 19 EB 70	258,70	10
80	KLB 19 EB 80	265,22	10
90	KLB 19 EB 90	271,65	10
100	KLB 19 EB 100	278,03	10
110	KLB 19 EB 110	284,84	10
120	KLB 19 EB 120	291,42	10
130	KLB 19 EB 130	414,78	10
140	KLB 19 EB 140	433,69	10
150	KLB 19 EB 150	448,60	10
160	KLB 19 EB 160	472,58	10
170	KLB 19 EB 170	492,22	10
180	KLB 19 EB 180	508,93	10

#### Schlüter®-KERDI-LINE-C

Design FRAMED TILE, 19 mm frame, roestvast staal V4A geborsteld

L (cm)	H = 19 mm Art.-No.	€ / Set	P (set)
50	KLCA 19 EB 50	245,75	10
60	KLCA 19 EB 60	252,32	10
70	KLCA 19 EB 70	258,70	10
80	KLCA 19 EB 80	265,22	10
90	KLCA 19 EB 90	271,65	10
100	KLCA 19 EB 100	278,03	10
110	KLCA 19 EB 110	284,84	10
120	KLCA 19 EB 120	291,42	10
130	KLCA 19 EB 130	414,78	10
140	KLCA 19 EB 140	433,69	10
150	KLCA 19 EB 150	448,60	10
160	KLCA 19 EB 160	472,58	10
170	KLCA 19 EB 170	492,22	10
180	KLCA 19 EB 180	508,93	10

#### Opmerking:

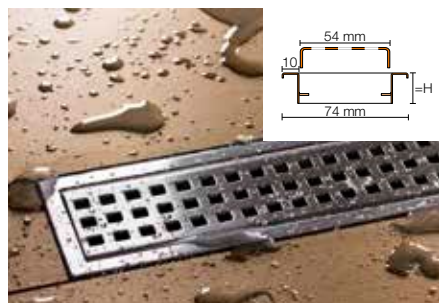
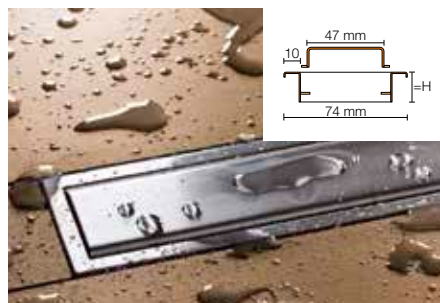
H = 19 mm voor bekledingsdikte 3 - 15 mm

#### Opmerking:

Tegelgoot (design C) geschikt voor tegeldiktes tot 15 mm

**i**  
De profielframes Schlüter-KERDI-LINE-A/-B/-C zijn ook verkrijgbaar met een persoonlijke gravure. Meer informatie vindt u vanaf pagina 32.





### Schlüter®-KERDI-LINE-A

Design SOLID, 30 mm frame, roestvast staal V4A geborsteld

L (cm)	H = 30 mm Art.-No.	€ / Set	P (set)
50	KLA 30 EB 50	253,38	10
60	KLA 30 EB 60	259,46	10
70	KLA 30 EB 70	266,00	10
80	KLA 30 EB 80	273,76	10
90	KLA 30 EB 90	279,24	10
100	KLA 30 EB 100	286,08	10
110	KLA 30 EB 110	292,77	10
120	KLA 30 EB 120	298,25	10

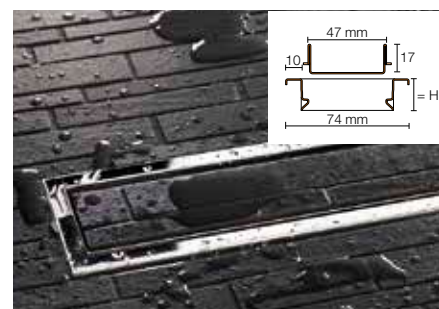
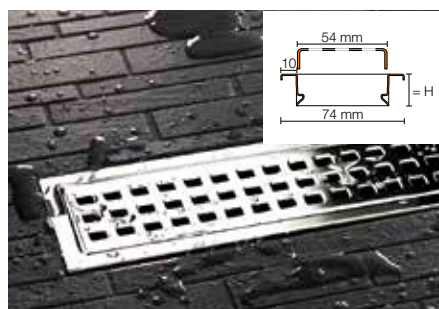
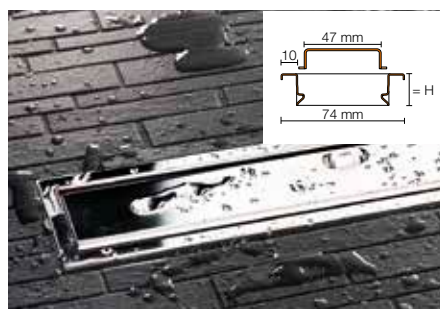
### Schlüter®-KERDI-LINE-B

Design SQUARE, 30 mm frame, roestvast staal V4A geborsteld

L (cm)	H = 30 mm Art.-No.	€ / Set	P (set)
50	KLB 30 EB 50	253,38	10
60	KLB 30 EB 60	259,46	10
70	KLB 30 EB 70	266,00	10
80	KLB 30 EB 80	273,76	10
90	KLB 30 EB 90	279,24	10
100	KLB 30 EB 100	286,08	10
110	KLB 30 EB 110	292,77	10
120	KLB 30 EB 120	298,25	10

#### Opmerking:

H = 30 mm voor bekledingsdikte 13 - 25 mm



### Schlüter®-KERDI-LINE-A

Design SOLID, 19 mm frame, roestvast staal V4A hoogglans gepolijst

L (cm)	H = 19 mm Art.-No.	€ / Set	P (set)
50	KLA 19 EP 50	266,65	10
60	KLA 19 EP 60	273,76	10
70	KLA 19 EP 70	280,66	10
80	KLA 19 EP 80	287,77	10
90	KLA 19 EP 90	294,73	10
100	KLA 19 EP 100	301,66	10
110	KLA 19 EP 110	309,06	10
120	KLA 19 EP 120	316,18	10

### Schlüter®-KERDI-LINE-B

Design SQUARE, 19 mm frame, roestvast staal V4A hoogglans gepolijst

L (cm)	H = 19 mm Art.-No.	€ / Set	P (set)
50	KLB 19 EP 50	266,65	10
60	KLB 19 EP 60	273,76	10
70	KLB 19 EP 70	280,66	10
80	KLB 19 EP 80	287,77	10
90	KLB 19 EP 90	294,73	10
100	KLB 19 EP 100	301,66	10
110	KLB 19 EP 110	309,06	10
120	KLB 19 EP 120	316,18	10

### Schlüter®-KERDI-LINE-C

Design FRAMED TILE, 19 mm frame, roestvast staal V4A hoogglans gepolijst

L (cm)	H = 19 mm Art.-No.	€ / Set	P (set)
50	KLCA 19 EP 50	256,80	10
60	KLCA 19 EP 60	263,67	10
70	KLCA 19 EP 70	270,32	10
80	KLCA 19 EP 80	277,17	10
90	KLCA 19 EP 90	283,85	10
100	KLCA 19 EP 100	290,54	10
110	KLCA 19 EP 110	297,68	10
120	KLCA 19 EP 120	304,51	10

#### Opmerking:

H = 19 mm voor bekledingsdikte 3 - 15 mm



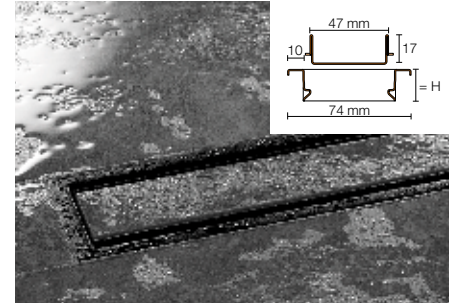
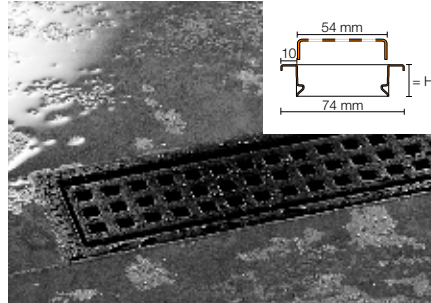
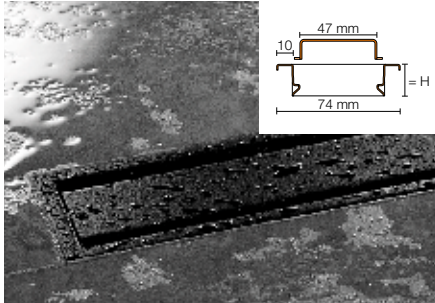
Roestvast staal hoogglans gepolijst – passend bij chroomoppervlakken

#### Opmerking:

Tegelgoot (design C) geschikt voor tegeldiktes tot 15 mm



## Rooster-/framecombinatie



### Schlüter®-KERDI-LINE-A

Design SOLID, 19 mm frame, roestvast staal V4A met kleurcoating grafietzwart mat

L (cm)	H = 19 mm Art.-No.	€ / Set	P (set)
50	KLA 19 MGS 50	<b>319,48</b>	10
60	KLA 19 MGS 60	<b>328,01</b>	10
70	KLA 19 MGS 70	<b>336,30</b>	10
80	KLA 19 MGS 80	<b>344,80</b>	10
90	KLA 19 MGS 90	<b>353,14</b>	10
100	KLA 19 MGS 100	<b>361,44</b>	10
110	KLA 19 MGS 110	<b>370,29</b>	10
120	KLA 19 MGS 120	<b>378,85</b>	10

### Schlüter®-KERDI-LINE-B

Design SQUARE, 19 mm frame, roestvast staal V4A met kleurcoating grafietzwart mat

L (cm)	H = 19 mm Art.-No.	€ / Set	P (set)
50	KLB 19 MGS 50	<b>319,48</b>	10
60	KLB 19 MGS 60	<b>328,01</b>	10
70	KLB 19 MGS 70	<b>336,30</b>	10
80	KLB 19 MGS 80	<b>344,80</b>	10
90	KLB 19 MGS 90	<b>353,14</b>	10
100	KLB 19 MGS 100	<b>361,44</b>	10
110	KLB 19 MGS 110	<b>370,29</b>	10
120	KLB 19 MGS 120	<b>378,85</b>	10

### Schlüter®-KERDI-LINE-C

Design FRAMED TILE, 19 mm frame, roestvast staal V4A met kleurcoating grafietzwart mat

L (cm)	H = 19 mm Art.-No.	€ / Set	P (set)
50	KLCA 19 MGS 50	<b>319,48</b>	10
60	KLCA 19 MGS 60	<b>328,01</b>	10
70	KLCA 19 MGS 70	<b>336,30</b>	10
80	KLCA 19 MGS 80	<b>344,80</b>	10
90	KLCA 19 MGS 90	<b>353,14</b>	10
100	KLCA 19 MGS 100	<b>361,44</b>	10
110	KLCA 19 MGS 110	<b>370,29</b>	10
120	KLCA 19 MGS 120	<b>378,85</b>	10

#### Opmerking:

H = 19 mm voor bekledingsdikte 3 - 15 mm

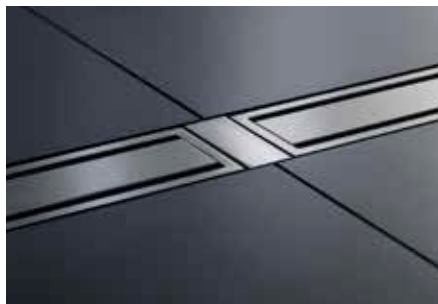
#### Opmerking:

Tegelgoot (design C) geschikt voor tegeldiktes tot 15 mm

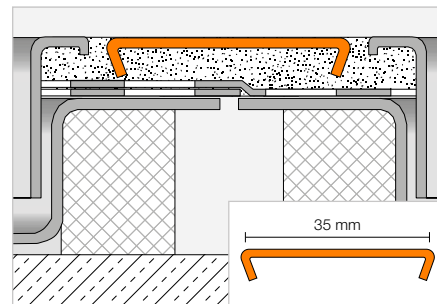


## Toebehoren

### Schlüter®-KERDI-LINE-FC



Schlüter-KERDI-LINE-FC is een roestvaststaalen element voor de optische verbinding van rooster-/framesets bij de installatie van meerdere Schlüter-KERDI-LINE-lijnafvoergoten naast elkaar, voor zowel inlegframes als profielframes.  
(Productdatablad 8.7)



#### Schlüter®-KERDI-LINE-FC

Frame-verbinding,  
roestvast staal V4A geborsteld

Art.-No.	€ / St.	P (st.)
V / KL EB 35	14,43	10

#### Schlüter®-KERDI-LINE-FC

Frame-verbinding,  
roestvast staal V4A hoogglans gepolijst

Art.-No.	€ / St.	P (st.)
V / KL EP 35	15,18	10

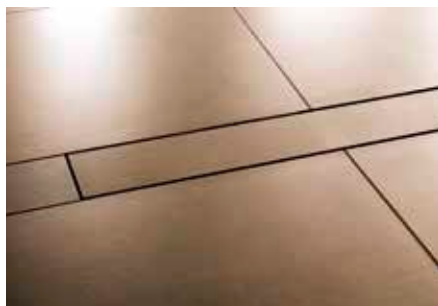
#### Schlüter®-KERDI-LINE-FC

Frame-verbinding,  
roestvast staal V4A met kleurcoating grafietzwart mat

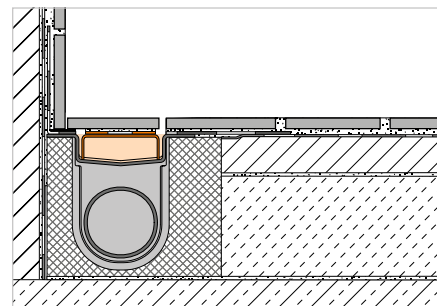
Art.-No.	€ / St.	P (st.)
V / KL MGS 35	18,76	10

## Tegeldrager

### Schlüter®-KERDI-LINE-D



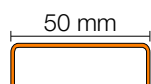
Schlüter-KERDI-LINE-D is een gootafdekking zonder frame, passend voor Schlüter-KERDI-LINE-goten. De tegeldrager is voorzien van een vlies voor de verankering in de tegellijm en universeel geschikt voor alle bekledingsdiktes.  
(Productdatablad 8.7)



#### Schlüter®-KERDI-LINE-D

Design TILE (zonder frame),  
roestvast staal V4A

L (cm)	Art.-No.	€ / St.	P (st.)
49	KLD E 50	101,20	10
59	KLD E 60	106,93	10
69	KLD E 70	114,51	10
79	KLD E 80	121,33	10
89	KLD E 90	127,83	10
99	KLD E 100	135,81	10
109	KLD E 110	143,78	10
119	KLD E 120	150,29	10
129	KLD E 130	221,47	10
139	KLD E 140	228,22	10
149	KLD E 150	238,18	10
159	KLD E 160	249,36	10
169	KLD E 170	259,06	10
179	KLD E 180	279,92	10



#### Opmerking:

De lengte van de gekozen tegeldrager moet overeenkomen met de lengte van de goot.

Schlüter-KERDI-LINE-D mag niet gecombineerd worden met de decentrale verticale afwatering Schlüter-KERDI-LINE-VOS.

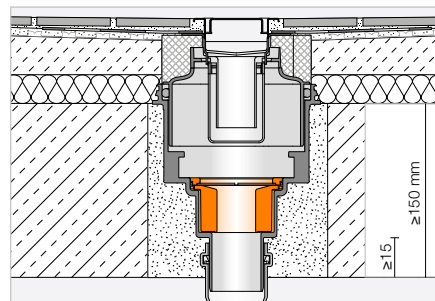


## Brandwerend inzetstuk

### Schlüter®-KERDI-LINE-BS



Schlüter-KERDI-LINE-BS is een toegelaten brandwerend inzetstuk met klemring, dat samen met de verticale lijnafvoergoot KLV 50 G2 uit roestvast staal een brandoverdracht tussen verdiepingen voorkomt. (Productdatablad 8.7)



### Schlüter®-KERDI-LINE-BS

Brandwerend inzetstuk met klemring

Art.-No.	€ / St.	P (st.)
KL BS	167,84	10

## Brandwerend inzetstuk

### Schlüter®-KERDI-DRAIN-ZBS



Schlüter-KERDI-DRAIN-ZBS is een doorgangsdichting met brandwerende functie. Ze dient, ook als cementstabilisatie, samen met de verticale bodemafvoerset KD BAV 50 GVB of de verticale roestvaststalen lijnafvoergoot KLV 50 G2, als brandwerende dichting van het boorgat (Ø 160 mm) en verhindert de vorming van geluidsbruggen. Geldt enkel in combinatie met KD BS of KL BS als toegelaten brandwering. (Productdatablad 8.2)

### Schlüter®-KERDI-DRAIN-ZBS

Doorgangsdichting met brandwerende functie

Art.-No.	€ / St.	P (st.)
KD ZBS	172,48	10

## Stankafsluiter

### Schlüter®-KERDI-LINE-GTO



Schlüter-KERDI-LINE-GTO is een stankafsluiter met siliconen afsluitklep. Hij kan in weinig gebruikte afvoersystemen (bijv. vakantiehuisen) in plaats van de standaard stankafsluiter worden gebruikt en voorkomt stankvorming als gevolg van een eventueel uitgedroogde stankafsluiter. Met zijn afvoercapaciteit van min. 0,4 l/s kan hij de standaard stankafsluiter ook vervangen. (Productdatablad 8.7)

### Schlüter®-KERDI-LINE-GTO

Droge stankafsluiter

Art.-No.	€ / St.	P (st.)
KL GTO	32,40	10

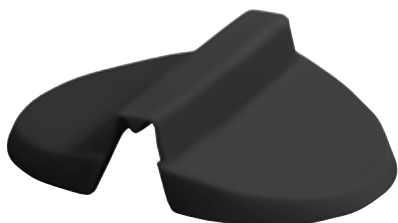
#### Opmerking:

Niet geschikt voor Schlüter-KERDI-LINE-F/-VS/-VOS.



## Stankafsluiter

## Schlüter®-KERDI-LINE-GTM



Schlüter-KERDI-LINE-GTM is een siliconen afsluitklep als vervanging/reserveonderdeel voor Schlüter-KERDI-DRAIN-R10 GT en Schlüter-KERDI-LINE-GTO.  
(Productdatablad 8.7)

## Schlüter®-KERDI-LINE-GTM

Vervang-afsluitklep

Art.-No.	€ / St.	P (st.)
KL GTM	17,49	10

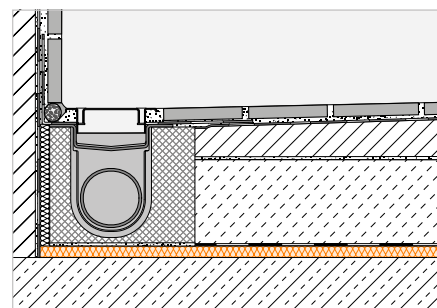
## Geluidsisolatiemat

## Schlüter®-KERDI-LINE-SR



Schlüter-KERDI-LINE-SR is een isolatiemat van een speciaal vlies met geluidsreducerende eigenschappen. Bij een correcte montage voldoen constructies met Schlüter-KERDI-LINE en KERDI-LINE-SR aan de eisen van de normen voor geluidsreductie in douches.

(Productdatablad 8.7)



## Schlüter®-KERDI-LINE-SR

PES-vlies mat (inhoud: 1 mat)

Dikte (mm)	Art.-No.	€ / St.	P (st.)
10	KL SR 250	23,01	5

## Schlüter®-KERDI-LINE-SR

PES-vlies mat (inhoud: 4 matten)

Dikte (mm)	Art.-No.	€ / Pakket	P (pakket)
10	KL SR 1000	77,50	5

## Schlüter®-DITRA-SOUND-KB

Naadafdekband

38 mm x 50 m Art.-No.	€ / St.	P (st.)
DS KB 38	16,90	10

Afmetingen van de afzonderlijke matten: 0,5 m x 0,5 m = 0,25 m<sup>2</sup>

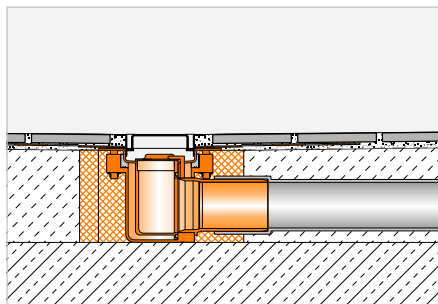
**Opmerking:**

Voor de geteste systeemconstructies verwijzen wij naar onze ontwerp- en uitvoeringsgegevens.

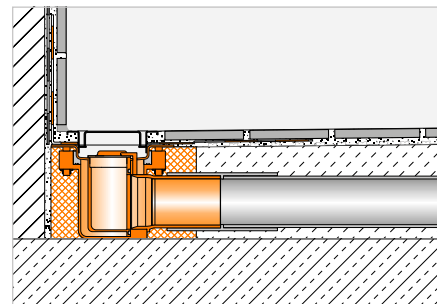


## Lijnafvoergoot horizontaal

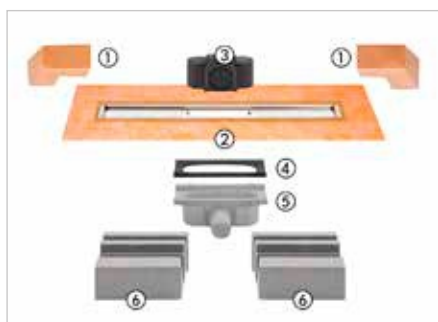
### Schlüter®-KERDI-LINE-G3



Schlüter-KERDI-LINE-G3 is een roestvaststalen lijnafvoergoot met lage opbouwhoogte. Deze afwatering is verkrijgbaar met een centrale, decentrale of dubbele afvoer en is geschikt voor plaatsing tegen de wand of centrale plaatsing. Net als alle andere Schlüter-lijnafvoergoten is hij af fabriek voorzien van een gemonteerde manchet gemaakt van Schlüter-KERDI, waardoor een betrouwbare aansluiting op de contactafdichting ontstaat.



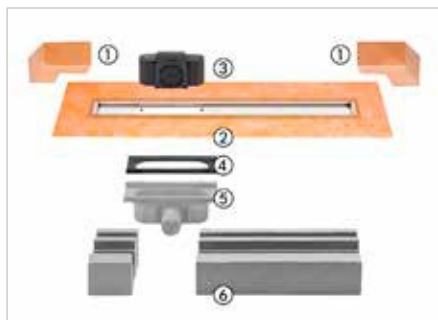
**i**  
De afvoer is alleen voor de Britse markt bedoeld. Buitendiameter 43 mm



### Schlüter®-KERDI-LINE-G3

Afvoer midden, roestvaststalen lijnafvoergoot V4A

L (cm)	L1 (cm)	Art.-No.	€ / Set	P (set)
50	55	KL F 43 G3E 50	<b>347,40</b>	10
60	65	KL F 43 G3E 60	<b>360,27</b>	10
70	75	KL F 43 G3E 70	<b>373,13</b>	10
80	85	KL F 43 G3E 80	<b>386,00</b>	10
90	95	KL F 43 G3E 90	<b>398,88</b>	10
100	105	KL F 43 G3E 100	<b>411,74</b>	10
110	115	KL F 43 G3E 110	<b>424,61</b>	10
120	125	KL F 43 G3E 120	<b>437,48</b>	10



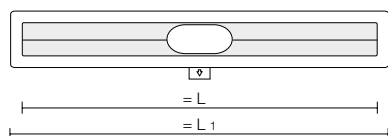
### Schlüter®-KERDI-LINE-G3

Afvoer links, roestvaststalen lijnafvoergoot V4A

L (cm)	L1 (cm)	Art.-No.	€ / Set	P (set)
70	75	KL FOL 43 G3E 70	<b>411,74</b>	10
80	85	KL FOL 43 G3E 80	<b>424,61</b>	10
90	95	KL FOL 43 G3E 90	<b>437,48</b>	10
100	105	KL FOL 43 G3E 100	<b>450,34</b>	10
110	115	KL FOL 43 G3E 110	<b>463,21</b>	10
120	125	KL FOL 43 G3E 120	<b>476,07</b>	10

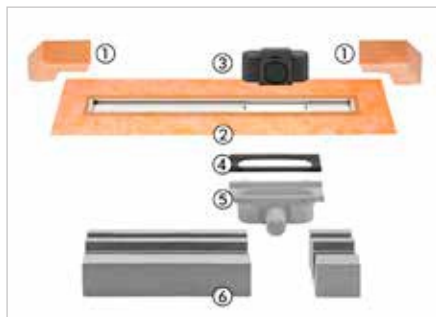
#### Set-componenten:

- 1 Hoekafdichting (voor opgaande zijwand)
- 2 Goot met afdichtingsmanchet
- 3 Stankafsluiter
- 4 EPDM-dichting
- 5 Afvoerbehuizing
- 6 Gootdrager



#### Technische gegevens:

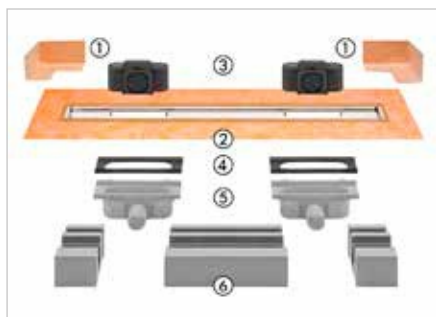
Afvoer	BS 40 (43 mm buitendiameter)
Afvoercapaciteit	0,45 l/s (enkele afvoer) 0,8 l/s (dubbele afvoer)
Restwaterhoogte	50 mm
Inbouwhoogte	78 mm
Breedte van de afdekking incl. frame	74 mm



### Schlüter®-KERDI-LINE-G3

Afvoer rechts, roestvaststalen lijnafvoergoot V4A

L (cm)	L1 (cm)	Art.-No.	€ / Set	P (set)
70	75	KL FOR 43 G3E 70	<b>411,74</b>	10
80	85	KL FOR 43 G3E 80	<b>424,61</b>	10
90	95	KL FOR 43 G3E 90	<b>437,48</b>	10
100	105	KL FOR 43 G3E 100	<b>450,34</b>	10
110	115	KL FOR 43 G3E 110	<b>463,21</b>	10
120	125	KL FOR 43 G3E 120	<b>476,07</b>	10



### Schlüter®-KERDI-LINE-G3

Afvoer dubbel, roestvaststalen lijnafvoergoot V4A

L (cm)	L1 (cm)	Art.-No.	€ / Set	P (set)
100	105	KL F20 43 G3E 100	<b>540,41</b>	10
110	115	KL F20 43 G3E 110	<b>553,27</b>	10
120	125	KL F20 43 G3E 120	<b>566,14</b>	10

#### Set-componenten:

- 1 Hoekafdichting  
(voor opgaande zijwand)
- 2 Goot met afdichtingsmanchet
- 3 Stankafsluiter
- 4 EPDM-dichting
- 5 Afvoerbehuizing
- 6 Gootdrager

#### Technische gegevens:

Afvoer	BS 40 (43 mm buitendiameter)
Afvoercapaciteit	0,45 l/s (enkele afvoer) 0,8 l/s (dubbele afvoer)
Restwaterhoogte	50 mm
Inbouwhoogte	78 mm
Breedte van de afdekking incl. frame	74 mm

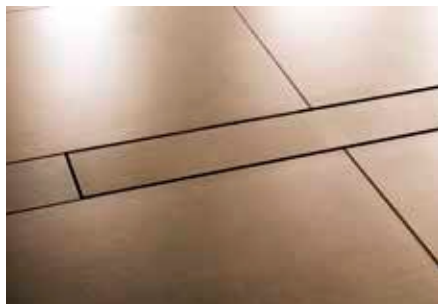
**i**  
Schlüter-KERDI-LINE-G3 kan alleen met de rooster-/framecombinaties design A, design B en KERDI-LINE-STYLE worden gecombineerd.



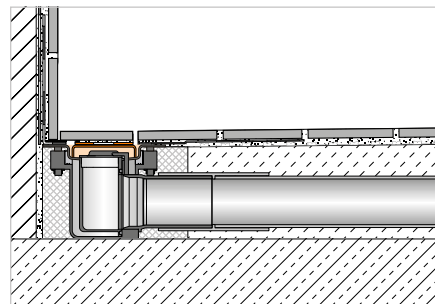
## Tegeldrager

**i**  
Deze gootafdekking is alleen voor de Britse markt bedoeld.

### Schlüter®-KERDI-LINE-D-G3



Schlüter-KERDI-LINE-D-G3 is een gootafdekking zonder frame, passend bij de Schlüter-KERDI-LINE-G3 goot. De tegeldrager is voorzien van een vlies voor de verankering in de tegellijm en universeel geschikt voor alle bekledingsdiktes.



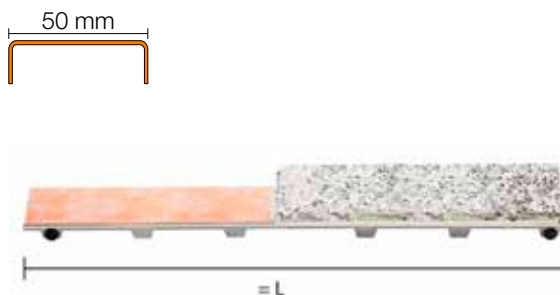
#### Opmerking:

De lengte van de gekozen tegeldrager moet overeenkomen met de lengte van de goot.

### Schlüter®-KERDI-LINE-D-G3

Design TILE (zonder frame), roestvast staal V4A

L (cm)	Art.-No.	€ / St.	P (st.)
49	KLD G3E 50	<b>101,20</b>	10
59	KLD G3E 60	<b>106,93</b>	10
69	KLD G3E 70	<b>114,51</b>	10
79	KLD G3E 80	<b>121,33</b>	10
89	KLD G3E 90	<b>127,83</b>	10
99	KLD G3E 100	<b>135,81</b>	10
109	KLD G3E 110	<b>143,78</b>	10
119	KLD G3E 120	<b>150,29</b>	10



## Installatie toebehoren

**i**  
Het installatiemateriaal is alleen voor de Britse markt bedoeld!

### Schlüter®-KERDI-LINE-F-G3



Schlüter-KERDI-LINE-F-G3 Timber Accessory is een toebehorenset voor de installatie van de afvoergoot Schlüter-KERDI-LINE-G3 in een houten draagvloer met gebruik van de hellingsplaat Schlüter-KERDI-SHOWER-LTS (KSLT 1365 / 2000 S).

### Schlüter®-KERDI-LINE-F-G3

Installatie toebehoren voor lijnafvoergoot Schlüter-KERDI-LINE-G3

Art.-No.	€ / Set	P (set)
KL F 43 G3 TA	<b>51,25</b>	10





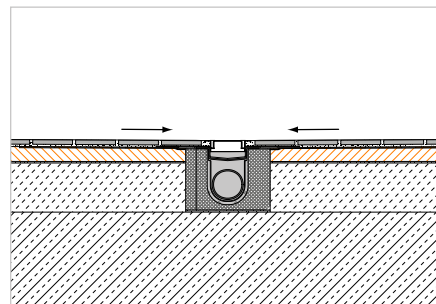


## Hellingsplaat

### Schlüter®-KERDI-SHOWER-LT



Schlüter-KERDI-SHOWER-LT is een hellingsplaat van drukstabiël polystyreen met een af fabriek aangebrachte Schlüter-KERDI afdichting. In de inloopdouche wordt hiermee voldoende afschot gecreëerd voor een in het midden geplaatste Schlüter-KERDI-LINE lijnafvoergoot. De hellingsplaat wordt aan beide zijden van de afvoergoot op een vooraf aangebrachte nivelleringslaag geplaatst. Bij een verticale afvoer kan de hellingsplaat ook direct op een geschikte, bestaande ondergrond worden gelegd. Langs de aangegeven snijgroeven kan de plaat heel eenvoudig met een cuttermes op maat worden gesneden. (Productdatablad 8.8)



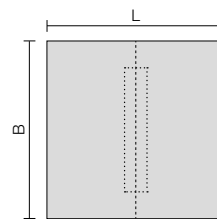
### Schlüter®-KERDI-SHOWER-LT

Hellingsplaat voor lijnafvoergoot, centrale plaatsing

L x B (cm)	H (mm)	Afschot (%)	Art.-No.	€ / St.	P (st.)
100 x 100	32	2	KSLT 1000	<b>181,53</b>	10
122 x 122	34	2	KSLT 1220	<b>212,82</b>	10
139 x 139	36	2	KSLT 1395	<b>256,65</b>	10

#### Opmerking:

Schlüter-KERDI-SHOWER-LT passend voor Schlüter-KERDI-LINE-H en -KERDI-LINE-V; niet geschikt voor Schlüter-KERDI-LINE-F.



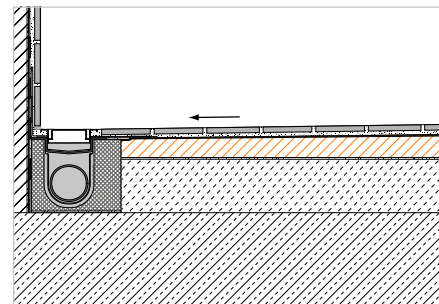
## Hellingsplaat

### Schlüter®-KERDI-SHOWER-LTS



Schlüter-KERDI-SHOWER-LTS is een hellingsplaat van drukstabiël polystyreen met een af fabriek aangebrachte Schlüter-KERDI afdichting. In de inloopdouche wordt hiermee voldoende afschot gecreëerd voor een tegen de wand geplaatste Schlüter-KERDI-LINE lijnafvoergoot. De hellingsplaat wordt aan de afvoergoot op een vooraf aangebrachte nivelleringslaag geplaatst. Bij een verticale afvoer kan de hellingsplaat ook direct op een geschikte, bestaande ondergrond worden gelegd. Langs de aangegeven snijgroeven kan de plaat heel eenvoudig met een cuttermes op maat worden gesneden.

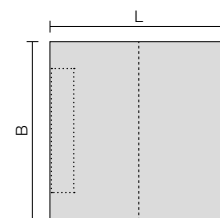
(Productdatablad 8.8)



### Schlüter®-KERDI-SHOWER-LTS

Hellingsplaat voor lijnafvoergoot, wandversie vierkant

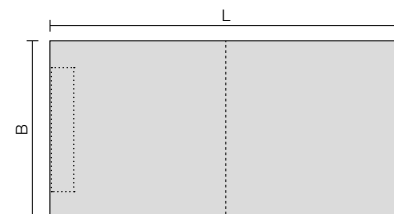
L x B (cm)	H (mm)	H1 (mm)	Afschot (%)	Art.-No.	€ / St.	P (st.)
100 x 100	42	22	2	KSLT 1000 S	<b>181,53</b>	10
122 x 122	46	22	2	KSLT 1220 S	<b>212,82</b>	10
139 x 139	50	22	2	KSLT 1395 S	<b>256,65</b>	10



### Schlüter®-KERDI-SHOWER-LTS

Hellingsplaat voor lijnafvoergoot, wandversie korte zijde

L x B (cm)	H (mm)	H1 (mm)	Afschot (%)	Art.-No.	€ / St.	P (st.)
139 x 91	50	22	2	KSLT 915 / 1395 S	<b>206,57</b>	10
183 x 91	58	22	2	KSLT 915 / 1830 S	<b>269,17</b>	10
193 x 96	60	22	2	KSLT 965 / 1930 S	<b>281,68</b>	10
200 x 136	39	13	1,25	KSLT 1365 / 2000 S*	<b>294,21</b>	10

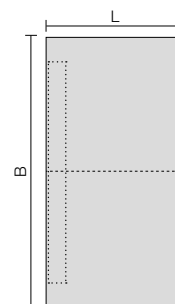


\* Passend voor Schlüter-KERDI-LINE-H – niet geschikt voor Schlüter-KERDI-LINE-F en -KERDI-LINE-V.  
Het afschot van deze plaat is 1,25 %. Het kan niet worden gecombineerd met Schlüter-SHOWERPROFILE-S.

### Schlüter®-KERDI-SHOWER-LTS

Hellingsplaat voor lijnafvoergoot, wandversie lange zijde

L x B (cm)	H (mm)	H1 (mm)	Afschot (%)	Art.-No.	€ / St.	P (st.)
96 x 193	41	22	2	KSLT 1930 / 965 S	<b>281,68</b>	10



#### Opmerking:

Schlüter-KERDI-LINE-LTS (met uitzondering van KSLT 1365 / 2000 S\*) passend voor Schlüter-KERDI-LINE-H en -KERDI-LINE-V; niet geschikt voor Schlüter-KERDI-LINE-F.



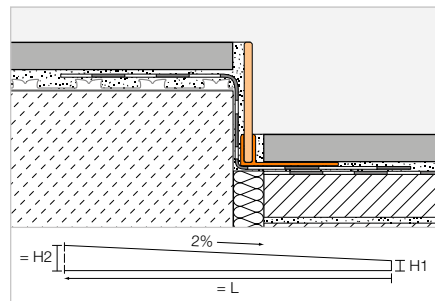
## Afschotprofiel

### Schlüter®-SHOWERPROFILE-S



Schlüter-SHOWERPROFILE-S is een afschotprofiel uit geborsteld of structuur-gecoat roestvast staal met 2% helling voor de bekleding van de zijkanten van de inloopdouche. Op de achterzijde van het profiel is een vlies aangebracht voor een goede verankering in de tegellijm. Voor de vloerbevestiging wordt een bij het systeem horend draagprofiel uit hard-PVC in verschillende hoogtes met U-vormige gleuf gebruikt. Voor de hoogteaanpassing wordt het te lange afschotprofiel aan de lage en/of hoge zijde indien nodig ingekort. Het afschotprofiel kan links of rechts voor de vloerovergang of onder de tegels van een zijwand worden gebruikt.

(Productdatablad 14.1)



#### Schlüter®-SHOWERPROFILE-SPS 50

PVC draagprofiel met afschotprofiel, roestvast staal V4A geborsteld, H1 = 6 mm

H (mm)	L = 2,00 m Art.-No.	€ / St.	KV (st.)
5	SPSA 50 EB/200	<b>112,52</b>	40
	L = 1,60 m		
5	SPSA 50 EB/160	<b>78,45</b>	40
	L = 1,20 m		
5	SPSA 50 EB/120	<b>57,22</b>	40

#### Schlüter®-SHOWERPROFILE-SPS 100

PVC draagprofiel met afschotprofiel, roestvast staal V4A geborsteld, H1 = 10 mm

H (mm)	L = 2,00 m Art.-No.	€ / St.	KV (st.)
10	SPSB 100 EB/200	<b>119,40</b>	40
	L = 1,60 m		
10	SPSB 100 EB/160	<b>80,34</b>	40
	L = 1,20 m		
10	SPSB 100 EB/120	<b>61,34</b>	40

#### Schlüter®-SHOWERPROFILE-SPS 125

PVC draagprofiel met afschotprofiel, roestvast staal V4A geborsteld, H1 = 10 mm

H (mm)	L = 2,00 m Art.-No.	€ / St.	KV (st.)
12,5	SPSB 125 EB/200	<b>119,40</b>	40
	L = 1,60 m		
12,5	SPSB 125 EB/160	<b>80,34</b>	40
	L = 1,20 m		
12,5	SPSB 125 EB/120	<b>61,34</b>	40

#### Schlüter®-SHOWERPROFILE-SPS 50

PVC draagprofiel met afschotprofiel, roestvast staal V4A met kleurcoating, H1 = 6 mm

H (mm)	L = 2,00 m Art.-No.	€ / St.	KV (st.)
5	SPSA 50 ...*/200	<b>140,94</b>	40
5	SPSA 50 ...**/200	<b>143,50</b>	40
	L = 1,60 m		
5	SPSA 50 ...*/160	<b>99,43</b>	40
5	SPSA 50 ...**/160	<b>102,50</b>	40
	L = 1,20 m		
5	SPSA 50 ...*/120	<b>72,78</b>	40
5	SPSA 50 ...**/120	<b>74,83</b>	40

#### Schlüter®-SHOWERPROFILE-SPS 100

PVC draagprofiel met afschotprofiel, roestvast staal V4A met kleurcoating, H1 = 10 mm

H (mm)	L = 2,00 m Art.-No.	€ / St.	KV (st.)
10	SPSB 100 ...*/200	<b>148,63</b>	40
10	SPSB 100 ...**/200	<b>153,75</b>	40
	L = 1,60 m		
10	SPSB 100 ...*/160	<b>101,48</b>	40
10	SPSB 100 ...**/160	<b>104,55</b>	40
	L = 1,20 m		
10	SPSB 100 ...*/120	<b>79,95</b>	40
10	SPSB 100 ...**/120	<b>82,00</b>	40

#### Schlüter®-SHOWERPROFILE-SPS 125

PVC draagprofiel met afschotprofiel, roestvast staal V4A met kleurcoating, H1 = 10 mm

H (mm)	L = 2,00 m Art.-No.	€ / St.	KV (st.)
12,5	SPSB 125 ...*/200	<b>148,63</b>	40
12,5	SPSB 125 ...**/200	<b>153,75</b>	40
	L = 1,60 m		
12,5	SPSB 125 ...*/160	<b>101,48</b>	40
12,5	SPSB 125 ...**/160	<b>104,55</b>	40
	L = 1,20 m		
12,5	SPSB 125 ...*/120	<b>79,95</b>	40
12,5	SPSB 125 ...**/120	<b>82,00</b>	40

#### Art.-No. aanvullen met oppervlak/kleur (bijv. SPSB 125 MGS/200)

\* Oppervlakken/kleuren: MBW - MGS

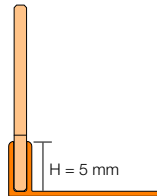
\*\* Oppervlakken/kleuren: TSBG - TSC - TSDA - TSG - TSI - TSOB - TSSG

## Beschikbare oppervlakken | Kleuren



Een overzicht van de oppervlakken en kleuren vindt u vanaf pagina 340.

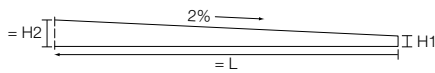




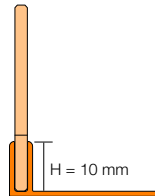
**SPS 50**

H = hoogte draagprofiel

SPS 50 is geschikt voor tegeldiktes van 6–9 mm



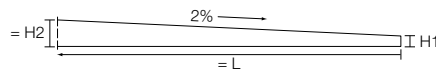
Afschotprofiel 120 cm: H2 = 30 mm, H1 = 6 mm  
 Afschotprofiel 160 cm: H2 = 38 mm, H1 = 6 mm  
 Afschotprofiel 200 cm: H2 = 46 mm, H1 = 6 mm



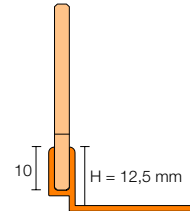
**SPS 100**

H = hoogte draagprofiel

SPS 100 is geschikt voor tegeldiktes van 10–18 mm



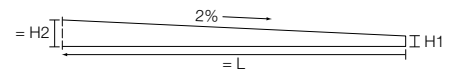
Afschotprofiel 120 cm: H2 = 34 mm, H1 = 10 mm  
 Afschotprofiel 160 cm: H2 = 42 mm, H1 = 10 mm  
 Afschotprofiel 200 cm: H2 = 50 mm, H1 = 10 mm



**SPS 125**

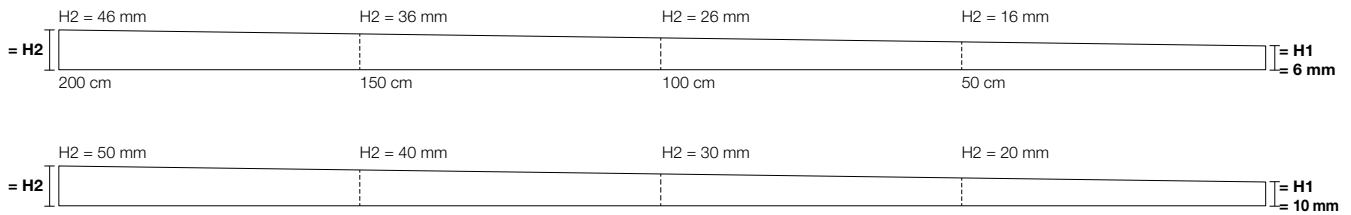
H = hoogte draagprofiel

SPS 125 is geschikt voor tegeldiktes van 12,5–20 mm



Afschotprofiel 120 cm: H2 = 34 mm, H1 = 10 mm  
 Afschotprofiel 160 cm: H2 = 42 mm, H1 = 10 mm  
 Afschotprofiel 200 cm: H2 = 50 mm, H1 = 10 mm

2% = 2 mm / 10 cm



**Opmerking:**

Voor grotere tegeldiktes zijn afschotprofielen met hogere draagprofielen in hoogtes van 15, 18 en 22 mm op aanvraag leverbaar.



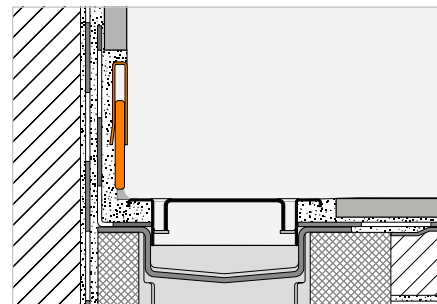
## Wandaansluitprofiel

### Schlüter®-SHOWERPROFILE-R



Schlüter-SHOWERPROFILE-R is een tweedelig wandaansluitprofiel voor de bekleding van de resterende openstaande wandruimte aan de lijnafvoergoot, dat veroorzaakt wordt door de helling. Het profiel is in structuur-gecoat of geborsteld roestvast staal verkrijgbaar. Aan de achterzijde is het profiel voorzien van een vlies voor de verankering in de tegellijm. Dankzij de tweedelige opbouw kan SHOWERPROFILE-R in toepassingen van ca. 23 tot 45 mm (in twee uitvoeringen) traploos in de hoogte worden aangepast.

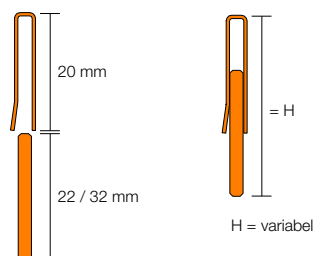
(Productdatablad 14.1)



#### Schlüter®-SHOWERPROFILE-RA

2-delig wandaansluitprofiel, roestvast staal V4A geborsteld

H (mm)	L = 1,40 m Art.-No.	€ / St.	KV (st.)
23-35	SPRA 23 EB/140	<b>79,06</b>	40
33-45	SPRA 33 EB/140	<b>86,67</b>	40
L = 1,00 m			
23-35	SPRA 23 EB/100	<b>63,84</b>	40
33-45	SPRA 33 EB/100	<b>69,92</b>	40



#### Schlüter®-SHOWERPROFILE-RA

2-delig wandaansluitprofiel, roestvast staal V4A met kleurcoating

H (mm)	L = 1,40 m Art.-No.	€ / St.	KV (st.)
23-35	SPRA 23 ...*/140	<b>102,50</b>	40
23-35	SPRA 23 ...**/140	<b>99,43</b>	40
33-45	SPRA 33 ...*/140	<b>110,70</b>	40
33-45	SPRA 33 ...**/140	<b>107,63</b>	40
L = 1,00 m			
23-35	SPRA 23 ...*/100	<b>83,03</b>	40
23-35	SPRA 23 ...**/100	<b>80,46</b>	40
33-45	SPRA 33 ...*/100	<b>92,25</b>	40
33-45	SPRA 33 ...**/100	<b>89,69</b>	40

Art.-No. aanvullen met oppervlak/kleur (bijv. SPRA 23 TSC/140)

\* Oppervlakken/kleuren: TSBG - TSC - TSDA - TSG - TSI - TSOB - TSSG

\*\* Oppervlakken/kleuren: MBW - MGS

## Beschikbare oppervlakken | Kleuren



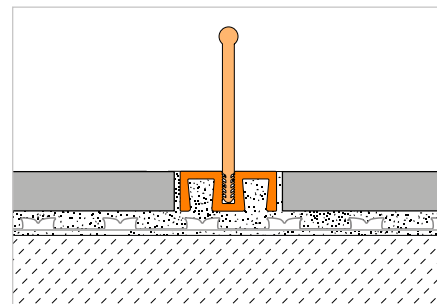
Een overzicht van de oppervlakken en kleuren vindt u vanaf pagina 340.

## Overstromingsbeveiligingsprofiel

## Schlüter®-SHOWERPROFILE-WS



Schlüter-SHOWERPROFILE-WS is een tweedelig profiel uit geanodiseerd aluminium voor de overstromingsbeveiliging in inlopdouches. Het draagprofiel wordt bij het aanbrengen van de tegels in het lijmbed verankerd. Het kan naar keuze met een halfronde of een rechte lip als overstromingsbeveiliging worden uitgerust. De douche is bij gebruik van beide varianten toegankelijk voor rolstoelen. (Productdatablad 14.2)



## Schlüter®-SHOWERPROFILE-WS

Draagprofiel alu. bruut mat geanodiseerd

L = 3,00 m Art.-No.	€ / m	KV (st.)
SPWS 19 AE / 300	24,72	40
L = 2,50 m		
SPWS 19 AE	24,72	40
L = 1,00 m		
SPWS 19 AE / 100	25,77	40

## Lip

## Schlüter®-SHOWERPROFILE-WSL

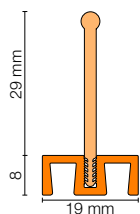
Rechte lip

L = 3,00 m Art.-No.	€ / m	KV (st.)
SPWSL 30 T / 300	15,39	40
L = 2,50 m		
SPWSL 30 T	15,39	40
L = 1,00 m		
SPWSL 30 T / 100	15,39	40

## Schlüter®-SHOWERPROFILE-WSC

Halfronde lip

L = 3,00 m Art.-No.	€ / m	KV (st.)
SPWSC 16 GS / 300	12,72	40
L = 2,50 m		
SPWSC 16 GS	12,72	40
L = 1,00 m		
SPWSC 16 GS / 100	12,72	40



SHOWERPROFILE-WS + -WSL



SHOWERPROFILE-WS + -WSC

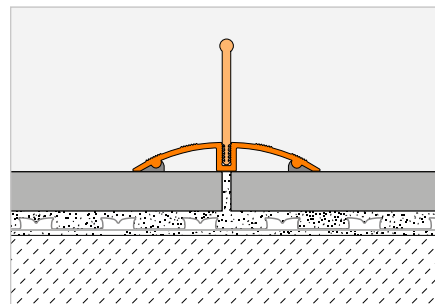


## Overstromingsbeveiligingsprofiel

### Schlüter®-SHOWERPROFILE-WSK



Schlüter-SHOWERPROFILE-WSK is een tweedelig profiel uit geanodiseerd aluminium voor de overstromingsbeveiliging in inloopdouches. Het draagprofiel wordt achteraf op de aanwezige bekleding gelijmd. Het kan naar keuze met een halfronde of een rechte lip als overstromingsbeveiliging worden uitgerust. De douche is bij gebruik van beide varianten toegankelijk voor rolstoelen. (Productdatablad 14.2)



### Schlüter®-SHOWERPROFILE-WSK

Draagprofiel alu. bruut mat geanodiseerd

L = 3,00 m Art.-No.	€ / m	KV (st.)
SPWSK 52 AE / 300	28,95	40
L = 2,50 m		
SPWSK 52 AE	28,95	40
L = 1,00 m		
SPWSK 52 AE / 100	29,99	40

## Lip | Eindkapje

### Schlüter®-SHOWERPROFILE-WSL

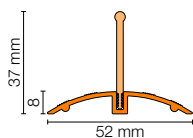
Rechte lip

L = 3,00 m Art.-No.	€ / m	KV (st.)
SPWSL 30 T / 300	15,39	40
L = 2,50 m		
SPWSL 30 T	15,39	40
L = 1,00 m		
SPWSL 30 T / 100	15,39	40

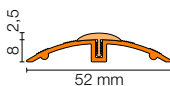
### Schlüter®-SHOWERPROFILE-WSC

Halfronde lip

L = 3,00 m Art.-No.	€ / m	KV (st.)
SPWSC 16 GS / 300	12,72	40
L = 2,50 m		
SPWSC 16 GS	12,72	40
L = 1,00 m		
SPWSC 16 GS / 100	12,72	40



SHOWERPROFILE-WSK + -WSL

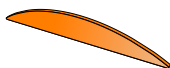


SHOWERPROFILE-WSK + -WSC

### Schlüter®-SHOWERPROFILE-WSK/EK

Eindkapje

Art.-No.	€ / St.	P (st.)
EK / SPWSK 52 AE	4,03	50



SHOWERPROFILE-WSK/EK



## Opnameprofiel

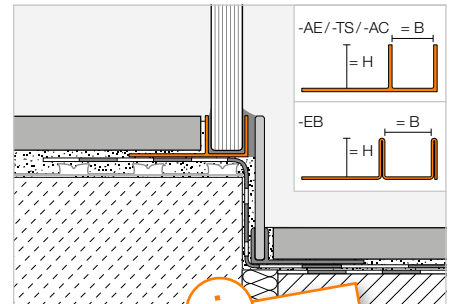


## Schlüter®-DECO-SG



Schlüter-DECO-SG is een decoratief profiel als voeguitsparing in tegelbekledingen. Het vormt een 12 mm of 15 mm brede schaduwvoeg. De voeg is uitermate geschikt voor het plaatsen en bevestigen van glaselementen in de vloer en wand.

(Productdatablad 2.16)



i

Nu in TRENLINE kleuren verkrijgbaar

## Schlüter®-DECO-SG-EB

Roestvast staal V4A geborsteld, B = 12 mm

H (mm)	L = 2,50 m Art.-No.	€ / m	KV (st.)
8	SG 80 EB 12	<b>51,47</b>	120
10	SG 100 EB 12	<b>54,05</b>	120
11	SG 110 EB 12	<b>56,61</b>	120
12,5	SG 125 EB 12	<b>59,18</b>	120

## Schlüter®-DECO-SG-EB

Roestvast staal V4A geborsteld, B = 15 mm

H (mm)	L = 2,50 m Art.-No.	€ / m	KV (st.)
8	SG 80 EB 15	<b>55,33</b>	120
10	SG 100 EB 15	<b>57,90</b>	120
11	SG 110 EB 15	<b>60,48</b>	120
12,5	SG 125 EB 15	<b>63,05</b>	120

## Schlüter®-DECO-SG-AE

Alu. bruut mat geanodiseerd, B = 12 mm

H (mm)	L = 2,50 m Art.-No.	€ / m	KV (st.)
8	SG 80 AE 12	<b>18,40</b>	120
10	SG 100 AE 12	<b>18,88</b>	120
11	SG 110 AE 12	<b>19,31</b>	120
12,5	SG 125 AE 12	<b>19,82</b>	120

## Schlüter®-DECO-SG-AE

Alu. bruut mat geanodiseerd, B = 15 mm

H (mm)	L = 2,50 m Art.-No.	€ / m	KV (st.)
8	SG 80 AE 15	<b>21,29</b>	120
10	SG 100 AE 15	<b>21,60</b>	120
11	SG 110 AE 15	<b>22,36</b>	120
12,5	SG 125 AE 15	<b>22,85</b>	120



## Schlüter®-DECO-SG-AC

Alu. met kleurcoating, B = 12 mm

H (mm)	L = 2,50 m Art.-No.	€ / m	KV (st.)
8	SG 80 ...* 12	<b>21,53</b>	120
10	SG 100 ...* 12	<b>22,04</b>	120
11	SG 110 ...* 12	<b>22,55</b>	120
12,5	SG 125 ...* 12	<b>23,06</b>	120

## Schlüter®-DECO-SG-AC

Alu. met kleurcoating, B = 15 mm

H (mm)	L = 2,50 m Art.-No.	€ / m	KV (st.)
8	SG 80 ...* 15	<b>25,11</b>	120
10	SG 100 ...* 15	<b>25,63</b>	120
11	SG 110 ...* 15	<b>26,14</b>	120
12,5	SG 125 ...* 15	<b>26,65</b>	120

MyDesign by Schlüter-Systems  
Individuele coating in  
190 RAL-Classie kleuren mogelijk.  
Meer info vanaf pagina 16.

## Schlüter®-DECO-SG-TS

Alu. structuur-gecoat, B = 12 mm

H (mm)	L = 2,50 m Art.-No.	€ / m	KV (st.)
8	SG 80 ...** 12	<b>25,84</b>	120
10	SG 100 ...** 12	<b>26,45</b>	120
11	SG 110 ...** 12	<b>27,06</b>	120
12,5	SG 125 ...** 12	<b>27,67</b>	120

## Schlüter®-DECO-SG-TS

Alu. structuur-gecoat, B = 15 mm

H (mm)	L = 2,50 m Art.-No.	€ / m	KV (st.)
8	SG 80 ...** 15	<b>30,13</b>	120
10	SG 100 ...** 15	<b>30,76</b>	120
11	SG 110 ...** 15	<b>31,37</b>	120
12,5	SG 125 ...** 15	<b>31,98</b>	120

Art.-No. kleur toevoegen (bijv. SG 80 TSOB 15)

\* Kleuren: MBW - MGS

\*\* Kleuren:

TSBG - TSC - TSDA - TSG - TSI - TSOB - TSSG

## Beschikbare oppervlakken | Kleuren



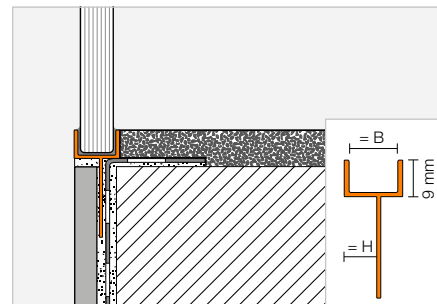
Een overzicht van de oppervlakken en kleuren vindt u vanaf pagina 340.



## Opnameprofiel



**i**  
Voor gebruik op hoeken met  
aangrenzende pleisterwanden



### Schlüter®-DECO-SGC-AE

Alu. bruut mat geanodiseerd, B = 12 mm

H (mm)	L = 2,50 m Art.-No.	€ / m	KV (st.)
8	SGC 80 AE 12	<b>19,89</b>	120
10	SGC 100 AE 12	<b>20,35</b>	120
11	SGC 110 AE 12	<b>20,87</b>	120
12,5	SGC 125 AE 12	<b>21,38</b>	120

### Schlüter®-DECO-SGC-AE

Alu. bruut mat geanodiseerd, B = 15 mm

H (mm)	L = 2,50 m Art.-No.	€ / m	KV (st.)
8	SGC 80 AE 15	<b>23,01</b>	120
10	SGC 100 AE 15	<b>23,30</b>	120
11	SGC 110 AE 15	<b>24,11</b>	120
12,5	SGC 125 AE 15	<b>24,63</b>	120



# Schlüter®-KERDI-DRAIN

## Centrale afwatering in binnentoepassing

Horizontale afvoer  
met stankafsluiter

Bodemafvoerset  
in DN 40/50, DN 50, DN 50/70 240–241

Verticale afvoer  
met stankafsluiter

Bodemafvoerset  
in DN 50, DN 70, DN 100 242–245

Toebehoren 246–248

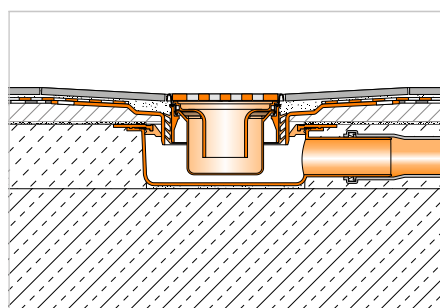
Complete sets 249–250

i

**KERDI-DRAIN voor buitentoepping  
vindt u in hoofdstuk "Balkons en  
terrassen" vanaf pagina 303.**







- ① Schlüter®-KERDI-DRAIN afvoerbehuizing
- ② Schlüter®-KERDI-DRAIN rooster-/framesets
- ③ Schlüter®-KERDI-SHOWER
- ④ Schlüter®-DITRA
- ⑤ Schlüter®-KERDI 200
- ⑥ Schlüter®-KERDI-KEBA
- ⑦ Schlüter®-SHOWERPROFILE-WS/-WSK
- ⑧ Schlüter®-DECO-SG
- ⑨ Schlüter®-DILEX-RF

- Pagina 241–245
- Pagina 241–245
- Pagina 251–252
- Pagina 165
- Pagina 188
- Pagina 189
- Pagina 233–234
- Pagina 235
- Pagina 139

Op de volgende pagina's vindt u alle combinatiemogelijkheden van rooster-/framesets en van horizontale of verticale bodemafoersets. Daarna vindt u ook details voor bijzondere oplossingen, vervanging of verwisseling.



# Schlüter®-KERDI-DRAIN

## Inloopdouches met centrale afvoer

Schlüter-KERDI-DRAIN met centraal afvoerpunt voert het water naar keuze horizontaal of verticaal af naar het rioleringsnetwerk. Met de Schlüter-KERDI-SHOWER hellingsplaat wordt snel een vlakke en afgedichte ondergrond gerealiseerd voor de plaatsing van tegels. Schlüter-SHOWERPROFILE bedekt de vrije randen van de douche en zorgt voor een functionele overstromingsbeveiliging. Schlüter-DECO-SG bevestigt glazen scheidingswanden in de juiste positie. Schlüter-KERDI en -DITRA zorgen voor de afdichting aan de wand en op de vloer. Stootnaden worden afgedicht met de Schlüter-KERDI-KEBA afdichtingsbanden in verbinding met Schlüter-KERDI-COLL.  
(Productdatablad 8.2)

### Robuust en praktisch: onze klassiekers



Design 1: CLASSIC



Design 1: CLASSIC



Design 1: CLASSIC ROUND



Design 2: TRAPEZOID

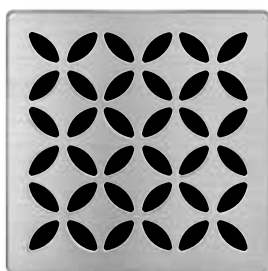


Design 3: SQUARE



Design 4: TILE

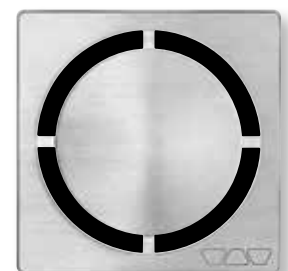
### Schlüter®-KERDI-DRAIN-STYLE



Design 5: FLORAL



Design 6: CURVE



Design 7: PURE



# Schlüter®-KERDI-DRAIN

## Horizontale afvoer met stankafsluiter

Centrale afwatering in binnentoepassing

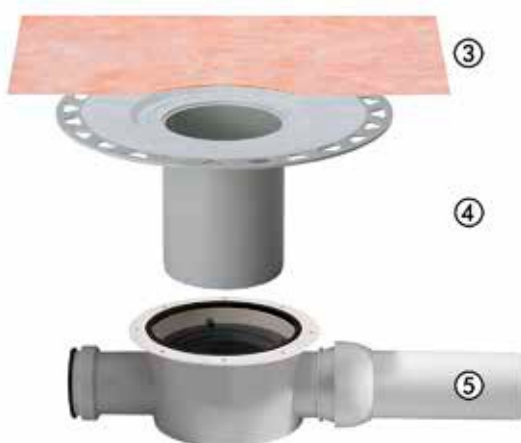


①

②

### Rooster-/frameset

- ① Roestvaststalen rooster met onderbouw
- ② Hoogte-instelling



③

④

⑤

### Bodemafvoerset

- ③ Schlüter-KERDI manchete
- ④ Dunbed-opzetstuk
- ⑤ Afvoerbehuizing in beton

#### Opmerking:

De bodemafvoerset en de rooster-/frameset moeten afzonderlijk worden besteld.

### Bijzonderheden van het rooster



#### Alleen KERDI-DRAIN-BASE:

De roosters zijn voorzien van een stankafsluiter en een lipdichting.



De roosters zijn uitgerust met een frameverlenging (met uitzondering van KD R10 ED4) en een hoogteregeling. Deze roosters zijn niet voorzien van een stankafsluiter. De stankafsluiter is geïntegreerd in de bodemafvoerset. Alle roosters zijn incl. vuilopvangzeef, met uitzondering van KD R10 ED4, KD R15 ED1 S, KD R15 ED1 SB en KD R15 ED1 SR.

### Rooster-design



Design 1  
CLASSIC



Design 1  
CLASSIC  
ROUND



Design 2  
TRAPEZOID



Design 3  
SQUARE



Design 4  
TILE



Design 5  
FLORAL



Design 6  
CURVE



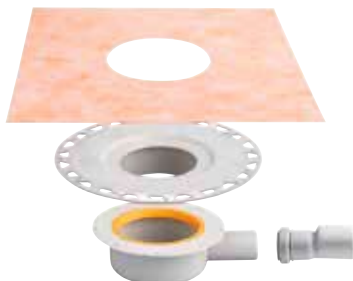
Design 7  
PURE

**DN 40/50**

Afvoer capaciteit: 0,4 l/s, min. opbouwhoogte: 75 (70) mm

**Bodemafvoerset**

Schlüter®-KERDI-DRAIN-BASE

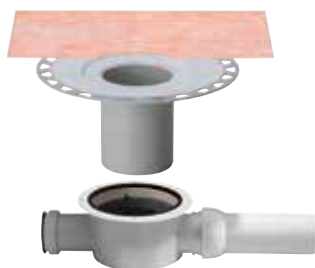


Art.-No.	€ / St.
KD BH 40	<b>74,04</b>

Rooster-/frameset incl. stankafsluiter	L x B (cm)	Art.-No.	€ / St.
Design 1, roestvast staal met schroeven	10 x 10	KD R10 ED1 SGV	<b>76,24</b>
Design 1, roestvast staal V4A met schroeven	10 x 10	KD R10 V4A D1 SGV	<b>92,53</b>
Design 1, roestvast staal hoogglans gepolijst met schroeven	10 x 10	KD R10 EPD1 SGV	<b>81,74</b>
Design 1, roestvast staal	10 x 10	KD R10 ED1 GV	<b>76,24</b>
Design 1, roestvast staal olie ingewreven brons met schroeven	10 x 10	KD R10 EOB D1 SGV	<b>103,65</b>
Design 2, roestvast staal geborsteld	10 x 10	KD R10 ED2 GV	<b>129,57</b>
Design 3, roestvast staal geborsteld	10 x 10	KD R10 ED3 GV	<b>129,57</b>
Design 4, tegeldrager	10 x 10	KD R10 ED4 GV	<b>76,24</b>
Design 5, roestvast staal geborsteld	10 x 10	KD IF 10 EB D5 GV	<b>127,67</b>
Design 6, roestvast staal geborsteld	10 x 10	KD IF 10 EB D6 GV	<b>127,67</b>
Design 7, roestvast staal geborsteld	10 x 10	KD IF 10 EB D7 GV	<b>130,25</b>

**DN 50**

Afvoer capaciteit: 0,6 l/s, min. opbouwhoogte: 97 mm

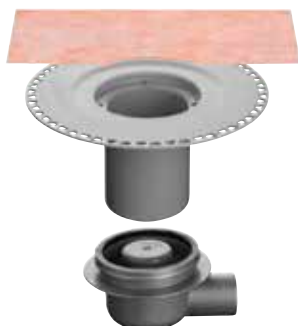
**Bodemafvoerset**

Art.-No.	€ / St.
KD BH 50 GV	<b>111,07</b>

Rooster-/frameset	L x B (cm)	Art.-No.	€ / St.
Design 1, roestvast staal met schroeven	10 x 10	KD R10 ED1 S	<b>65,15</b>
Design 1, roestvast staal V4A met schroeven	10 x 10	KD R10 V4A D1 S	<b>81,43</b>
Design 1, roestvast staal hoogglans gepolijst met schroeven	10 x 10	KD R10 EPD1 S	<b>69,84</b>
Design 1, roestvast staal	10 x 10	KD R10 ED1	<b>65,15</b>
Design 1, roestvast staal olie ingewreven brons met schroeven	10 x 10	KD R10 EOB D1 S	<b>92,53</b>
Design 1, roestvast staal met schroeven	15 x 15	KD R15 ED1 S	<b>88,84</b>
Design 1, roestvast staal met schroeven (rond)	15 x 15	KD R15 ED1 SR	<b>88,84</b>
Design 2, roestvast staal geborsteld	10 x 10	KD R10 ED2	<b>118,47</b>
Design 3, roestvast staal geborsteld	10 x 10	KD R10 ED3	<b>118,47</b>
Design 4, tegeldrager	10 x 10	KD R10 ED4	<b>65,15</b>
Design 5, roestvast staal geborsteld	10 x 10	KD IF 10 EB D5	<b>115,98</b>
Design 6, roestvast staal geborsteld	10 x 10	KD IF 10 EB D6	<b>115,98</b>
Design 7, roestvast staal geborsteld	10 x 10	KD IF 10 EB D7	<b>118,59</b>

**DN 50/70**

Afvoer capaciteit: 0,8 l/s, min. opbouwhoogte: 115 mm

**Bodemafvoerset**

Art.-No.	€ / St.
KD BH 5070 GVB	<b>119,07</b>

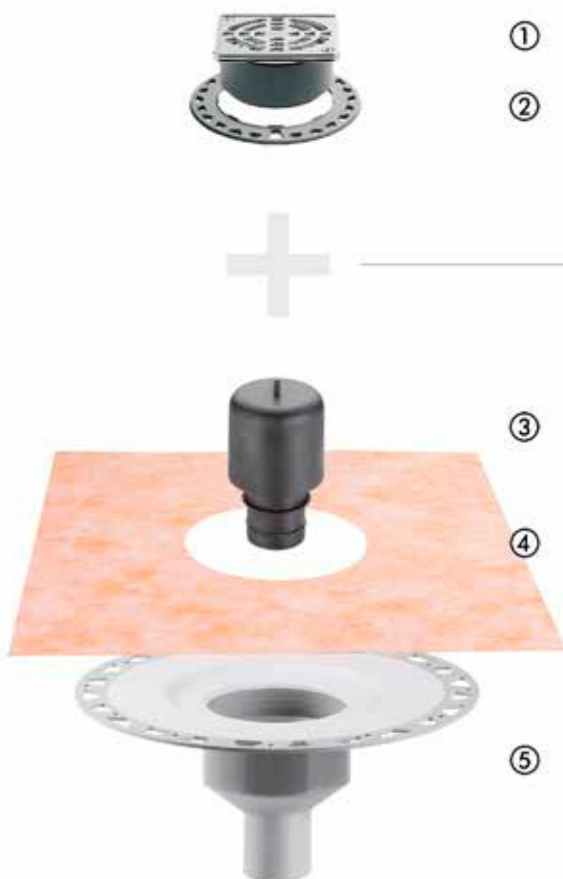
Rooster-/frameset	L x B (cm)	Art.-No.	€ / St.
Design 1, roestvast staal met schroeven	15 x 15	KD R15 ED1 SB	<b>79,25</b>



# Schlüter®-KERDI-DRAIN

Verticale afvoer met stankafsluiter

Centrale afwatering in binnentoepassing



## Rooster-/frameset

- ① Roestvaststalen rooster met onderbouw
- ② Hoogte-instelring

## Bodemafoerset

- ③ Tweedelige stankafsluiter
- ④ Schlüter-KERDI manchet
- ⑤ Dunbed-vloerafvoer

### Opmerking:

De bodemafoerset en de rooster-/frameset moeten afzonderlijk worden besteld.

Bijzonderheden van het rooster – stankafsluiter in bodemafoerset



De roosters zijn uitgerust met een frameverlenging (met uitzondering van KD R10 ED4) en een hoogteregeling. Deze roosters zijn niet voorzien van een stankafsluiter. De stankafsluiter is geïntegreerd in de bodemafoerset. Alle roosters zijn incl. vuilopvangzeef, met uitzondering van KD R10 ED4, KD R15 ED1 S, KD R15 ED1 SB en KD R15 ED1 SR.



Rooster-design



Design 1  
CLASSIC



Design 1  
CLASSIC  
ROUND



Design 2  
TRAPEZOID



Design 3  
SQUARE



Design 4  
TILE



Design 5  
FLORAL



Design 6  
CURVE



Design 7  
PURE



**DN 50**

Afvoercapaciteit: 0,6 l/s

Bodemafvoerset



Art.-No.	€ / St.
KD BV 50 GV	<b>82,91</b>

Rooster-/frameset	L x B (cm)	Art.-No.	€ / St.
Design 1, roestvast staal met schroeven	10 x 10	KD R10 ED1 S	<b>65,15</b>
Design 1, roestvast staal V4A met schroeven	10 x 10	KD R10 V4A D1 S	<b>81,43</b>
Design 1, roestvast staal hoogglans gepolijst met schroeven	10 x 10	KD R10 EPD1 S	<b>69,84</b>
Design 1, roestvast staal	10 x 10	KD R10 ED1	<b>65,15</b>
Design 1, roestvast staal olie ingewreven brons met schroeven	10 x 10	KD R10 EOB D1 S	<b>92,53</b>
Design 1, roestvast staal met schroeven	15 x 15	KD R15 ED1 S	<b>88,84</b>
Design 1, roestvast staal met schroeven (rond)	15 x 15	KD R15 ED1 SR	<b>88,84</b>
Design 2, roestvast staal geborsteld	10 x 10	KD R10 ED2	<b>118,47</b>
Design 3, roestvast staal geborsteld	10 x 10	KD R10 ED3	<b>118,47</b>
Design 4, tegeldrager	10 x 10	KD R10 ED4	<b>65,15</b>
Design 5, roestvast staal geborsteld	10 x 10	KD IF 10 EB D5	<b>115,98</b>
Design 6, roestvast staal geborsteld	10 x 10	KD IF 10 EB D6	<b>115,98</b>
Design 7, roestvast staal geborsteld	10 x 10	KD IF 10 EB D7	<b>118,59</b>

**DN 50**

Afvoercapaciteit: 0,6 l/s

Bodemafvoerset



Art.-No.	€ / St.
KD BV 50 GVB	<b>119,07</b>

Rooster-/frameset	L x B (cm)	Art.-No.	€ / St.
Design 1, roestvast staal met schroeven	10 x 10	KD R10 ED1 S	<b>65,15</b>
Design 1, roestvast staal V4A met schroeven	10 x 10	KD R10 V4A D1 S	<b>81,43</b>
Design 1, roestvast staal hoogglans gepolijst met schroeven	10 x 10	KD R10 EPD1 S	<b>69,84</b>
Design 1, roestvast staal	10 x 10	KD R10 ED1	<b>65,15</b>
Design 1, roestvast staal olie ingewreven brons met schroeven	10 x 10	KD R10 EOB D1 S	<b>92,53</b>
Design 2, roestvast staal geborsteld	10 x 10	KD R10 ED2	<b>118,47</b>
Design 3, roestvast staal geborsteld	10 x 10	KD R10 ED3	<b>118,47</b>
Design 4, tegeldrager	10 x 10	KD R10 ED4	<b>65,15</b>
Design 5, roestvast staal geborsteld	10 x 10	KD IF 10 EB D5	<b>115,98</b>
Design 6, roestvast staal geborsteld	10 x 10	KD IF 10 EB D6	<b>115,98</b>
Design 7, roestvast staal geborsteld	10 x 10	KD IF 10 EB D7	<b>118,59</b>

**DN 50**

Afvoercapaciteit: 1,8 l/s

Bodemafvoerset



Art.-No.	€ / St.
KD BAV 50 GVB	<b>126,59</b>

Rooster-/frameset	L x B (cm)	Art.-No.	€ / St.
Design 1, roestvast staal met schroeven	15 x 15	KD R15 ED1 SB	<b>79,25</b>



# Schlüter®-KERDI-DRAIN

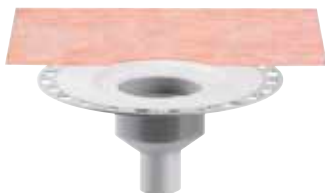
Verticale afvoer met stankafsluiter

Centrale afwatering in binnentoepassing

## DN 50

Afvoercapaciteit: 0,6 l/s

Bodemafvoerset



Art.-No.	€ / St.
KD BV 50	62,17

Rooster-/frameset incl. stankafsluiter	L x B (cm)	Art.-No.	€ / St.
Design 1, roestvast staal met schroeven	10 x 10	KD R10 ED1 SGV	76,24
Design 1, roestvast staal V4A met schroeven	10 x 10	KD R10 V4A D1 SGV	92,53
Design 1, roestvast staal hoogglans gepolijst met schroeven	10 x 10	KD R10 EPD1 SGV	81,74
Design 1, roestvast staal	10 x 10	KD R10 ED1 GV	76,24
Design 1, roestvast staal olie ingewreven brons met schroeven	10 x 10	KD R10 EOB D1 SGV	103,65
Design 2, roestvast staal geborsteld	10 x 10	KD R10 ED2 GV	129,57
Design 3, roestvast staal geborsteld	10 x 10	KD R10 ED3 GV	129,57
Design 4, tegeldrager	10 x 10	KD R10 ED4 GV	76,24
Design 5, roestvast staal geborsteld	10 x 10	KD IF 10 EB D5 GV	127,67
Design 6, roestvast staal geborsteld	10 x 10	KD IF 10 EB D6 GV	127,67
Design 7, roestvast staal geborsteld	10 x 10	KD IF 10 EB D7 GV	130,25

## DN 70

Afvoercapaciteit: 0,6 l/s

Bodemafvoerset



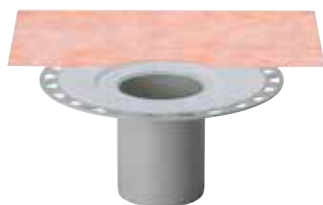
Art.-No.	€ / St.
KD BV 70	62,17

Rooster-/frameset incl. stankafsluiter	L x B (cm)	Art.-No.	€ / St.
Design 1, roestvast staal met schroeven	10 x 10	KD R10 ED1 SGV	76,24
Design 1, roestvast staal V4A met schroeven	10 x 10	KD R10 V4A D1 SGV	92,53
Design 1, roestvast staal hoogglans gepolijst met schroeven	10 x 10	KD R10 EPD1 SGV	81,74
Design 1, roestvast staal	10 x 10	KD R10 ED1 GV	76,24
Design 1, roestvast staal olie ingewreven brons met schroeven	10 x 10	KD R10 EOB D1 SGV	103,65
Design 2, roestvast staal geborsteld	10 x 10	KD R10 ED2 GV	129,57
Design 3, roestvast staal geborsteld	10 x 10	KD R10 ED3 GV	129,57
Design 4, tegeldrager	10 x 10	KD R10 ED4 GV	76,24
Design 5, roestvast staal geborsteld	10 x 10	KD IF 10 EB D5 GV	127,67
Design 6, roestvast staal geborsteld	10 x 10	KD IF 10 EB D6 GV	127,67
Design 7, roestvast staal geborsteld	10 x 10	KD IF 10 EB D7 GV	130,25

**DN 100**

Afvoercapaciteit: 0,6 l/s

Bodemafvoerset



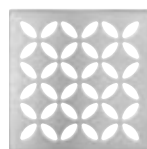
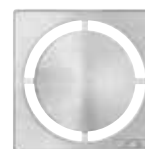
Art.-No.	€ / St.
KD BV 100	62,17

Rooster-/frameset incl. stankafsluiter	L x B (cm)	Art.-No.	€ / St.
Design 1, roestvast staal met schroeven	10 x 10	KD R10 ED1 SGV	76,24
Design 1, roestvast staal V4A met schroeven	10 x 10	KD R10 V4A D1 SGV	92,53
Design 1, roestvast staal hoogglans gepolijst met schroeven	10 x 10	KD R10 EPD1 SGV	81,74
Design 1, roestvast staal	10 x 10	KD R10 ED1 GV	76,24
Design 1, roestvast staal olie ingewreven brons met schroeven	10 x 10	KD R10 EOB D1 SGV	103,65
Design 2, roestvast staal geborsteld	10 x 10	KD R10 ED2 GV	129,57
Design 3, roestvast staal geborsteld	10 x 10	KD R10 ED3 GV	129,57
Design 4, tegeldrager	10 x 10	KD R10 ED4 GV	76,24
Design 5, roestvast staal geborsteld	10 x 10	KD IF 10 EB D5 GV	127,67
Design 6, roestvast staal geborsteld	10 x 10	KD IF 10 EB D6 GV	127,67
Design 7, roestvast staal geborsteld	10 x 10	KD IF 10 EB D7 GV	130,25

P = 10 stuks

**Bijzonderheden van het rooster – stankafsluiter in rooster-/frameset**

De roosters zijn voorzien van een stankafsluiter en een lipdichting.

**Rooster-design**Design 1  
CLASSICDesign 2  
TRAPEZOIDDesign 3  
SQUAREDesign 4  
TILEDesign 5  
FLORALDesign 6  
CURVEDesign 7  
PURE

**i**  
KERDI-DRAIN voor buitentoepassing  
vindt u in hoofdstuk "Balkons en  
terrassen" vanaf pagina 303.



## Stankafsluiter

### Schlüter®-KERDI-DRAIN-R 10 GT



Schlüter-KERDI-DRAIN-R 10 GT is een stankafsluiter met siliconen afsluitklep voor alle rooster-/framesets van 10 x 10 cm. Hij kan in weinig gebruikte afvoersystemen (bijv. vakantiehuizen) in plaats van de standaard stankafsluiter worden gebruikt en voorkomt stankvorming als gevolg van een eventueel uitgedroogde stankafsluiting. Met zijn afvoercapaciteit van min. 0,4 l/s kan hij de standaard stankafsluiter ook vervangen. (Productdatablad 8.2)

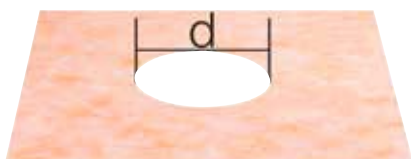
#### Schlüter®-KERDI-DRAIN-R 10 GT

Droge stankafsluiter

Art.-No.	€ / St.	P (st.)
KD R10 GT	<b>35,01</b>	10

## Afdichtingsmanchet

### Schlüter®-KERDI-DRAIN-KD 10



KD 10 M



KD 10 MO 900 1800

#### Schlüter®-KERDI-DRAIN-DR

KERDI-manchet (d = 17,5 cm)

L x B (cm)	Art.-No.	€ / St.	P (st.)
45 x 45	KD 10 M	<b>6,91</b>	10
90 x 90	KD 10 M 900	<b>27,92</b>	10
100 x 100	KD 10 M 1000	<b>31,10</b>	10
120 x 120	KD 10 M 1200	<b>38,44</b>	10
150 x 150	KD 10 M 1500	<b>51,90</b>	10

#### Schlüter®-KERDI-DRAIN-DR

KERDI-manchet, decentrale afwatering

L x B (cm)	Art.-No.	€ / St.	P (st.)
180 x 90	KD 10 MO 900 1800	<b>47,74</b>	10

## Bodemafvoer

### Schlüter®-KERDI-DRAIN-BASE



Schlüter-KERDI-DRAIN-BASE is een afvoerbehuizing voor de combinatie met het opzetstuk KD BV 100 en een rooster-/frameset met stankafsluiter en lipdichting. (Productdatablad 8.2)

#### Schlüter®-KERDI-DRAIN-BASE

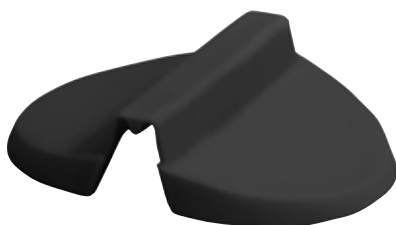
Afvoerbehuizing

DN (mm)	Art.-No.	€ / St.	P (st.)
40	KD 10 BH 40/50	<b>40,71</b>	10



## Stankafsluiter

## Schlüter®-KERDI-LINE-GTM



Schlüter-KERDI-LINE-GTM is een siliconen afsluitklep als vervanging/reserveonderdeel voor Schlüter-KERDI-DRAIN-R10 GT en Schlüter-KERDI-LINE-GTO.  
(Productdatablad 8.7)

## Schlüter®-KERDI-LINE-GTM

Vervang-afsluitklep

Art.-No.	€ / St.	P (st.)
KL GTM	17,49	10

## Brandwerend inzetstuk

## Schlüter®-KERDI-DRAIN-BS



Schlüter-KERDI-DRAIN-BS is een toegelaten brandwerend inzetstuk dat samen met de verticale bodemafoerset KD BAV 50 GVB een brandoverdracht tussen verdiepingen voorkomt.  
(Productdatablad 8.2)

## Schlüter®-KERDI-DRAIN-BS

Brandwerend inzetstuk

Art.-No.	€ / St.	P (st.)
KD BS	144,72	10

## Brandwerend inzetstuk

## Schlüter®-KERDI-DRAIN-ZBS



Schlüter-KERDI-DRAIN-ZBS is een doorgangsdichting met brandwerende functie. Ze dient, ook als cementstabilisatie, samen met de verticale bodemafoerset KD BAV 50 GVB of de verticale roestvaststalen lijnafvoergoot KLV 50 G2, als brandwerende dichting van het boorgat (Ø 160 mm) en verhindert de vorming van geluidsbruggen. Geldt enkel in combinatie met KD BS of KL BS als toegelaten brandwering.  
(Productdatablad 8.2)

## Schlüter®-KERDI-DRAIN-ZBS

Doorgangsdichting met brandwerende functie

Art.-No.	€ / St.	P (st.)
KD ZBS	172,48	10

## Vuilopvangzeef

## Schlüter®-KERDI-DRAIN-KD 10 SF



Schlüter-KERDI-DRAIN-KD 10 SF is een vuilopvangzeef die het schoonmaken van bodemafoeren vergemakkelijkt.  
(Productdatablad 8.2)

## Schlüter®-KERDI-DRAIN-KD 10 SF

Vervangstuk: vuilopvangzeef

Art.-No.	€ / St.	P (st.)
KD 10 SF	12,62	10



## Renovatierooster

### Schlüter®-KERDI-DRAIN-R/-RL

Schlüter-KERDI-DRAIN-R/-RL zijn renovatieroosters die bij saneringen in de tegelbekleding boven bestaande bodemafoeren kunnen worden ingewerkt.

(Productdatablad 8.2)

#### Schlüter®-KERDI-DRAIN-R

Renovatierooster 15 x 15 cm

Art.-No.	€ / St.	P (st.)
KD 15 R	<b>98,62</b>	10

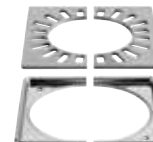


Afvoerrooster voor inbouw bij renovaties op bestaande bodemafoeren.

#### Schlüter®-KERDI-DRAIN-RL

Renovatierooster tweedelig 15 x 15 cm

Art.-No.	€ / St.	P (st.)
KD 15 RL	<b>98,62</b>	10



Afvoerrooster voor inbouw bij renovaties op bestaande bodemafoeren, die aan een verticaal doorlopende afvoerbuis zijn aangesloten.

## Afwateringsrooster (zonder frame)

### Schlüter®-KERDI-DRAIN

Roosters zonder frame voor de vervanging of verwisseling in bestaande installaties.

(Productdatablad 8.2)

#### Schlüter®-KERDI-DRAIN roosters

Vervangstuk:  
afzonderlijke roosters voor standaardframes

L x B (cm)	Art.-No.	€ / St.	P (st.)
10 x 10	KD GR 10 E D1 S	<b>42,94</b>	10
10 x 10	KD GR 10 V4A D1 S	<b>59,21</b>	10
10 x 10	KD GR 10 EP D1 S	<b>47,45</b>	10
10 x 10	KD GR 10 E D1	<b>42,94</b>	10
10 x 10	KD GR 10 E D2	<b>96,26</b>	10
10 x 10	KD GR 10 E D3	<b>96,26</b>	10
10 x 10	KD GR 10 E D4	<b>42,94</b>	10
15 x 15	KD GR 15 E D1 S	<b>66,64</b>	10
15 x 15	KD GR 15 E D1 SR	<b>66,64</b>	10

#### Schlüter®-KERDI-DRAIN-STYLE roosters

Vervangstuk:  
afzonderlijke roosters voor inlegframes

L x B (cm)	Art.-No.	€ / St.	P (st.)
10 x 10	KD GIF 10 EB D5	<b>96,57</b>	10
10 x 10	KD GIF 10 EB D6	<b>96,57</b>	10
10 x 10	KD GIF 10 EB D7	<b>99,16</b>	10

#### Opmerking:

De afdekkingen zijn alleen binnen de respectieve frame-designs verwisselbaar.

L x B = cm overeenkomstig de framegrootte



KD GR 10 E D1 S  
CLASSIC



KD GR 10 V4A D1 S  
CLASSIC



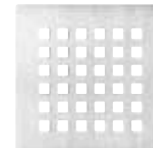
KD GR 10 EP D1 S  
CLASSIC



KD GR 10 E D1  
CLASSIC



KD GR 10 E D2  
TRAPEZOID



KD GR 10 E D3  
SQUARE



KD GR 10 E D4  
TILE



KD GIF 10 EB D5  
FLORAL



KD GIF 10 EB D6  
CURVE



KD GIF 10 EB D7  
PURE



KD GR 15 E D1 S  
CLASSIC



KD GR 15 E D1 SR  
CLASSIC ROUND

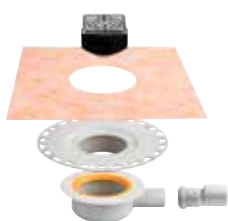
## Centrale afwateringsset binnentoepassing

## Schlüter®-KERDI-DRAIN sets

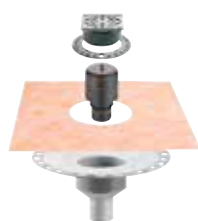


Schlüter-KERDI-DRAIN sets zijn complete sets voor de inbouw van vloerafwaterings-systemen voor de functionele aansluiting op contactafdichtingen met Schlüter-KERDI of soortgelijke afdichtingssystemen in binnen-toepassingen. De sets zijn in 3 varianten verkrijgbaar.

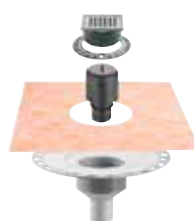
(Productdatablad 8.2)



KD 10H 40 GV ED1 S



KD 10V 50 GV ED1 S



KD 10V 50 GV ED3

## Schlüter®-KERDI-DRAIN set

Afwateringsset met horizontale afvoer

Art.-No.	€ / Set	PL (Set)
KD 10 H40 GV ED1 S	140,06	10

Afwateringsset met verticale afvoer

Art.-No.	€ / Set	PL (Set)
KD 10 V50 GV ED1 S	138,06	10
KD 10 V50 GV ED3	180,08	10

**KD 10 H40 GV ED1 S bevat:**

- horizontale dunbedvloerafvoer Schlüter-KERDI-DRAIN-BASE DN 40/50 (afvoercapaciteit 0,4 l/s), min. opbouwhoogte 75 (70) mm
- rooster-/framecombinatie met designrooster CLASSIC van roestvast staal met schroeven in 10 x 10 cm
- rooster met stankafsluiter en lipdichting

**KD 10 V50 GV ED1 S bevat:**

- verticale dunbedvloerafvoer Schlüter-KERDI-DRAIN DN 50 (afvoercapaciteit 0,6 l/s)
- geïntegreerde stankafsluiter
- rooster-/framecombinatie met designrooster CLASSIC van roestvast staal met schroeven in 10 x 10 cm
- incl. frameverlenging, hoogteregeling en vuilopvangzeef

**KD 10 V50 GV ED3 bevat:**

- verticale dunbedvloerafvoer Schlüter-KERDI-DRAIN DN 50 (afvoercapaciteit 0,6 l/s)
- geïntegreerde stankafsluiter
- rooster-/framecombinatie met designrooster SQUARE van geborsteld roestvast staal in 10 x 10 cm
- incl. frameverlenging, hoogteregeling en vuilopvangzeef





## Centrale afwateringsset binnentoepassing

### Schlüter®-KERDI-SHOWER-SK/-SKB



Schlüter-KERDI-SHOWER-SK is een afdichtingsset voor betegelde inlopdouches. Deze set bevat Schlüter-KERDI voor de afdichting van wandvlakken aan de douche, alsook de bijbehorende vormelementen voor binnenhoeken en buisdoorvoeringen. De levering bevat verder een Schlüter-KERDI-KEBA afdichtingsband om stootnaden en overgangen tussen vloer en wand af te dichten en Schlüter-KERDI-COLL-afdichtingslijm voor de verlijming van afdichtingsbanden en vormelementen. Bij de afdichtingsset Schlüter-KERDI-SHOWER-SKB is bovendien een Schlüter-KERDI-DRAIN-BASE-bodemafvoer inbegrepen. KERDI-SHOWER-SK kan worden gebruikt voor klassiek gerealiseerde inlopdouches of in combinatie met de vloerelementen Schlüter-KERDI-SHOWER-LT, -LTS, -T, -TS en -TT.  
(Productdatablad 8.6)

#### Schlüter®-KERDI-SHOWER-SK

##### Afdichtingsset

L x B (cm)	Art.-No.	€ / Set	PL (Set)
90 x 90 / 100 x 100	KSS 5	<b>210,98</b>	9
120 x 120 / 150 x 150	KSS 10	<b>368,01</b>	9

##### Inhoud Schlüter-KERDI-SHOWER-SK (KSS 5):

- 1 st. Schlüter-KERDI 200, 1 m x 5 m
- 2 st. Schlüter-KERDI-KERECK-F/I
- 1 st. Schlüter-KERDI-KEBA, 12,5 cm x 10 m
- 1 st. Schlüter-KERDI-COLL-L, 1,85 kg
- 2 st. Schlüter-KERDI-KM, Ø 150 mm

##### Inhoud Schlüter-KERDI-SHOWER-SK (KSS 10):

- 1 st. Schlüter-KERDI 200, 1 m x 10 m
- 2 st. Schlüter-KERDI-KERECK-F/I
- 1 st. Schlüter-KERDI-KEBA, 12,5 cm x 12,5 m
- 1 st. Schlüter-KERDI-COLL-L, 4,25 kg
- 2 st. Schlüter-KERDI-KM, Ø 150 mm

#### Schlüter®-KERDI-SHOWER-SKB

##### Afdichtingsset met bodemafvoer

L x B (cm)	Art.-No.	€ / Set	PL (Set)
90 x 90 / 100 x 100	KSS 5 KD10 EH 40	<b>359,04</b>	9
120 x 120 / 150 x 150	KSS 10 KD10 EH 40	<b>517,46</b>	9

##### Inhoud Schlüter-KERDI-SHOWER-SKB (KSS 5 KD10 EH 40):

- 1 st. Schlüter-KERDI 200, 1 m x 5 m
- 2 st. Schlüter-KERDI-KERECK-F/I
- 1 st. Schlüter-KERDI-KEBA, 12,5 cm x 10 m
- 1 st. Schlüter-KERDI-COLL-L, 1,85 kg
- 2 st. Schlüter-KERDI-KM, Ø 150 mm
- 1 set Schlüter-KERDI-DRAIN-BASE bestaand uit: bodemafvoerset "KD BH 40" en rooster-/frameset "KD R10 ED1 SGV"

##### Inhoud Schlüter-KERDI-SHOWER-SKB (KSS 10 KD10 EH 40):

- 1 st. Schlüter-KERDI 200, 1 m x 10 m
- 2 st. Schlüter-KERDI-KERECK-F/I
- 1 st. Schlüter-KERDI-KEBA, 12,5 cm x 12,5 m
- 1 st. Schlüter-KERDI-COLL-L, 4,25 kg
- 2 st. Schlüter-KERDI-KM, Ø 150 mm
- 1 set Schlüter-KERDI-DRAIN-BASE bestaand uit: bodemafvoerset "KD BH 40" en rooster-/frameset "KD R10 ED1 SGV"

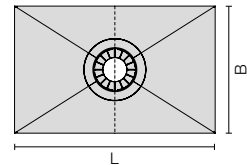
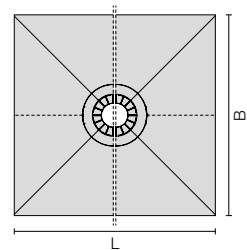
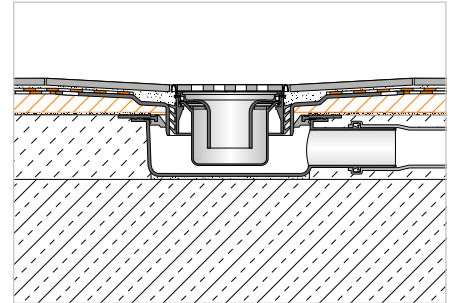


## Hellingsplaat

### Schlüter®-KERDI-SHOWER-T



Schlüter-KERDI-SHOWER-T is een hellingsplaat van drukstabiel polystyreen met een af fabriek aangebrachte Schlüter-KERDI afdichting. In de inloopdouche wordt hiermee voldoende afschot gecreëerd naar een centraal afvoerpunt. De plaat is geschikt voor de bevestiging van de Schlüter-KERDI-DRAIN bodemafoer. De hellingsplaat wordt op een vooraf aangebrachte nivelleringslaag met een ingewerkte KERDI-DRAIN afvoerbehuizing geplaatst. Langs de aangegeven snijgroeven kan de plaat heel eenvoudig met een cuttermes op maat worden gesneden, waarbij de verhoudingen tussen de zijden gelijk blijven. (Productdatablad 8.6)



### Schlüter®-KERDI-SHOWER-T

Hellingsplaat voor centrale afvoer

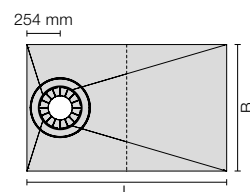
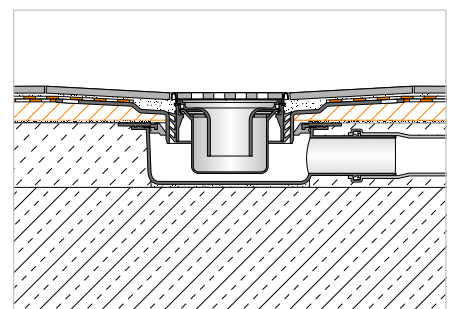
L x B (cm)	H (mm)	Afschot (%)	Art.-No.	€ / St.	P (st.)
152 x 152	30	2	KST 1525	<b>262,90</b>	10
183 x 183	32	2	KST 1830	<b>281,68</b>	10
152 x 96	29	2	KST 965 / 1525	<b>212,82</b>	10
152 x 122	28	2	KST 1220 / 1525	<b>219,09</b>	10
183 x 122	32	2	KST 1220 / 1830	<b>237,86</b>	10

## Hellingsplaat

### Schlüter®-KERDI-SHOWER-TS



Schlüter-KERDI-SHOWER-TS is een hellingsplaat van drukstabiel polystyreen met een af fabriek aangebrachte Schlüter-KERDI afdichting. In de inloopdouche wordt hiermee voldoende afschot gecreëerd naar een decentraal afvoerpunt. De plaat is geschikt voor de bevestiging van de Schlüter-KERDI-DRAIN bodemafoer. De hellingsplaat wordt op een vooraf aangebrachte nivelleringslaag met een ingewerkte KERDI-DRAIN afvoerbehuizing geplaatst. Langs de aangegeven snijgroeven kan de plaat heel eenvoudig met een cuttermes op maat worden gesneden, waarbij de verhoudingen tussen de zijden gelijk blijven. (Productdatablad 8.6)



### Schlüter®-KERDI-SHOWER-TS

Hellingsplaat voor decentrale afvoer

L x B (cm)	H (mm)	Afschot (%)	Art.-No.	€ / St.	P (st.)
152 x 96	28	1	KST 965 / 1525 S	<b>194,05</b>	10



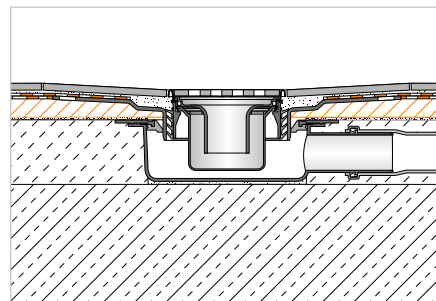
## Hellingsplaat

### Schlüter®-KERDI-SHOWER-TT



Schlüter-KERDI-SHOWER-TT is een hellingsplaat van drukstabiel polystyreen met een af fabriek aangebrachte Schlüter-KERDI afdichting. In de inloofdouche wordt hiermee voldoende afschot gecreëerd naar een centraal of decentraal afvoerpunt. De plaat is geschikt voor de bevestiging van de Schlüter-KERDI-DRAIN bodemafoer. De hellingsplaat wordt op een vooraf aangebrachte nivelleringslaag met een ingewerkte KERDI-DRAIN afvoerbuizing geplaatst. Langs de aangegeven snijgroeven kan de plaat heel eenvoudig met een cuttermes op maat worden gesneden, waarbij de verhoudingen tussen de zijden gelijk blijven.

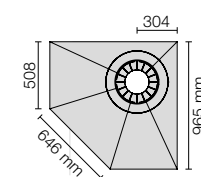
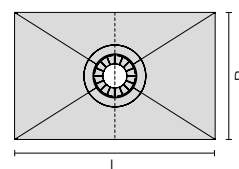
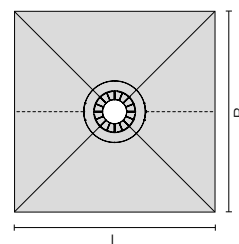
(Productdatablad 8.6)



### Schlüter®-KERDI-SHOWER-TT

Hellingsplaat voor centrale afvoer

L x B (cm)	H (mm)	Afschot (%)	Art.-No.	€ / St.	P (st.)
91 x 91	22	2	KST 915 BF	<b>137,71</b>	10
101 x 101	23	2	KST 1015 BF	<b>150,22</b>	10
122 x 122	25	2	KST 1220 BF	<b>194,05</b>	10
96 x 81	23	2	KST 965 / 810 BF	<b>219,09</b>	10
122 x 91	25	2	KST 915 / 1220 BF	<b>231,61</b>	10



### Schlüter®-KERDI-SHOWER-TT

Hellingsplaat voor decentrale afvoer

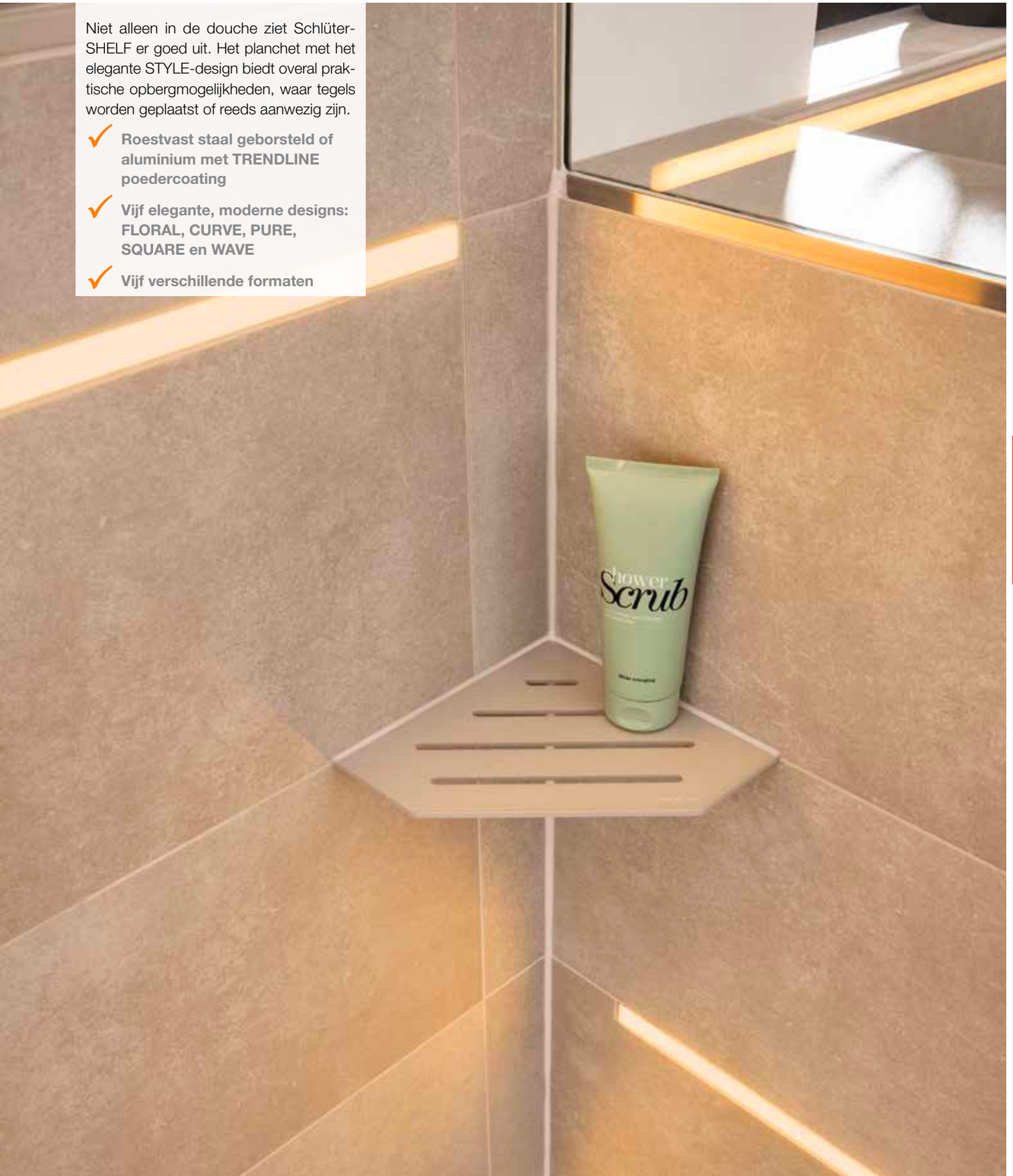
L x B (cm)	H (mm)	Afschot (%)	Art.-No.	€ / St.	P (st.)
96 x 96	26	2	KST 965 NA / BF	<b>219,09</b>	10

# Schlüter®-SHELF

Fraai, stabiel en snel gemonteerd

Niet alleen in de douche ziet Schlüter-SHELF er goed uit. Het planchet met het elegante STYLE-design biedt overal praktische opbergmogelijkheden, waar tegels worden geplaatst of reeds aanwezig zijn.

- ✓ **Roestvast staal geborsteld of aluminium met TRENDLINE poedercoating**
- ✓ **Vijf elegante, moderne designs: FLORAL, CURVE, PURE, SQUARE en WAVE**
- ✓ **Vijf verschillende formaten**



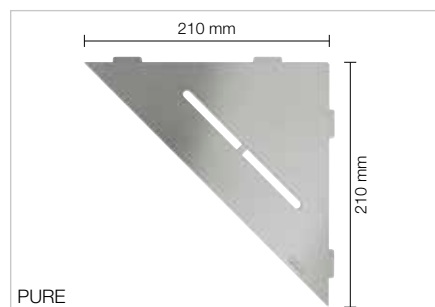
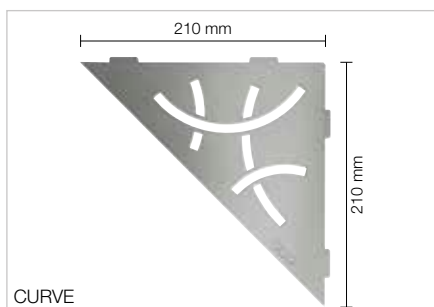
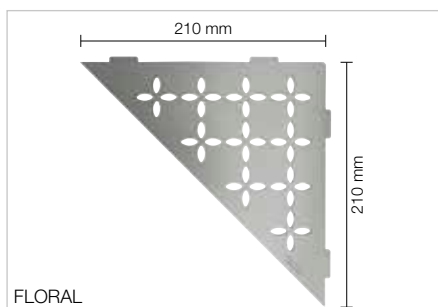
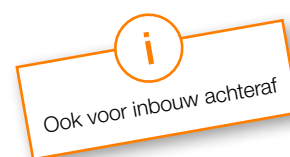
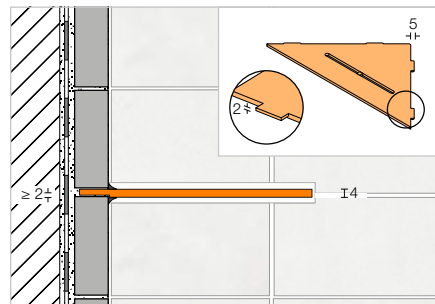


## Planchet

### Schlüter®-SHELF-E-S1



Schlüter-SHELF-E-S1 zijn driehoekige planchetten voor hoekinbouw. Ze zijn verkrijgbaar in de designvarianten FLORAL, CURVE, PURE, SQUARE en WAVE, en in de materiaalkwaliteit roestvast staal geborsteld of aluminium met hoogwaardige TRENDLINE poedercoating. De planchetten kunnen bij de betegeling in het tegelbeeld worden geïntegreerd of achteraf met de slechts 2 mm dikke bevestigingslippen in de voegen van betegelde wanden worden geplaatst. SHELF-E-S1 zijn geschikt als planchetten voor de doucheruimte, maar worden bijv. ook toegepast in tegelwanden van keukens. (Productdatablad 17.1)



#### Schlüter®-SHELF-E-S1-EB

Planchet, design FLORAL, roestvast staal geborsteld

Art.-No.	€ / St.	P (st.)
SE S1 D5 EB	110,73	10

#### Schlüter®-SHELF-E-S1-EB

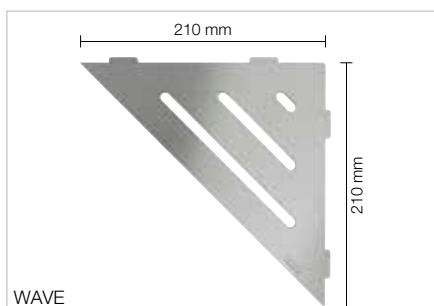
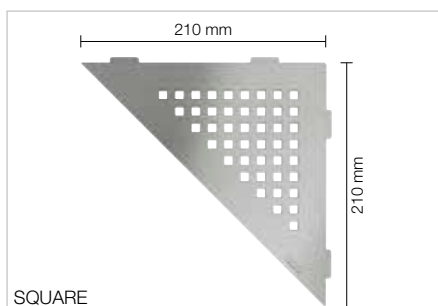
Planchet, design CURVE, roestvast staal geborsteld

Art.-No.	€ / St.	P (st.)
SE S1 D6 EB	104,22	10

#### Schlüter®-SHELF-E-S1-EB

Planchet, design PURE, roestvast staal geborsteld

Art.-No.	€ / St.	P (st.)
SE S1 D7 EB	109,37	10



#### Schlüter®-SHELF-E-S1-EB

Planchet, design SQUARE, roestvast staal geborsteld

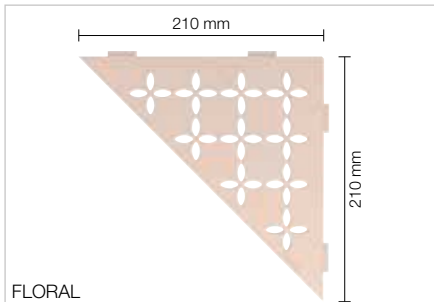
Art.-No.	€ / St.	P (st.)
SE S1 D3 EB	109,37	10

#### Schlüter®-SHELF-E-S1-EB

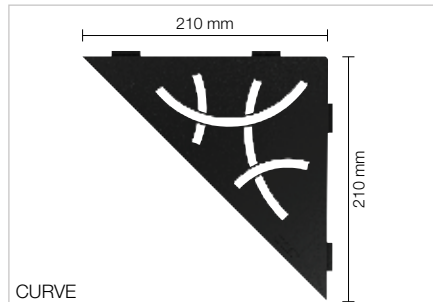
Planchet, design WAVE, roestvast staal geborsteld

Art.-No.	€ / St.	P (st.)
SE S1 D10 EB	109,37	10

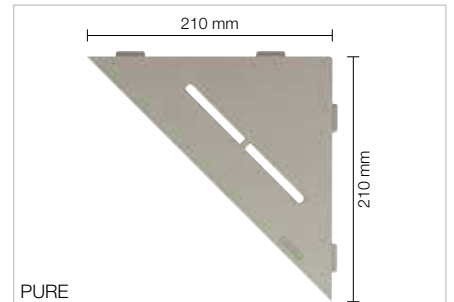




FLORAL



CURVE



PURE

**Schlüter®-SHELF-E-S1-AC**

Planchet, design FLORAL, alu. met kleurcoating

Art.-No.	€ / St.	P (st.)
SE S1 D5 ...*	81,12	10

**Schlüter®-SHELF-E-S1-AC**

Planchet, design CURVE, alu. met kleurcoating

Art.-No.	€ / St.	P (st.)
SE S1 D6 ...*	74,79	10

**Schlüter®-SHELF-E-S1-AC**

Planchet, design PURE, alu. met kleurcoating

Art.-No.	€ / St.	P (st.)
SE S1 D7 ...*	83,25	10

**Schlüter®-SHELF-E-S1-TS**

Planchet, design FLORAL, alu. structuur-gecoat

Art.-No.	€ / St.	P (st.)
SE S1 D5 ...**	88,73	10

**Schlüter®-SHELF-E-S1-TS**

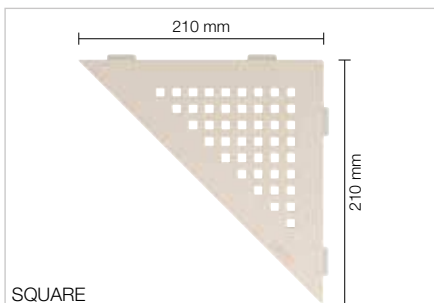
Planchet, design CURVE, alu. structuur-gecoat

Art.-No.	€ / St.	P (st.)
SE S1 D6 ...**	82,38	10

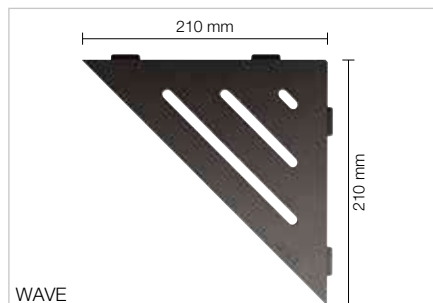
**Schlüter®-SHELF-E-S1-TS**

Planchet, design PURE, alu. structuur-gecoat

Art.-No.	€ / St.	P (st.)
SE S1 D7 ...**	89,51	10



SQUARE



WAVE

**Schlüter®-SHELF-E-S1-AC**

Planchet, design SQUARE, alu. met kleurcoating

Art.-No.	€ / St.	P (st.)
SE S1 D3 ...*	83,25	10

**Schlüter®-SHELF-E-S1-AC**

Planchet, design WAVE, alu. met kleurcoating

Art.-No.	€ / St.	P (st.)
SE S1 D10 ...*	83,25	10

**Schlüter®-SHELF-E-S1-TS**

Planchet, design SQUARE, alu. structuur-gecoat

Art.-No.	€ / St.	P (st.)
SE S1 D3 ...**	89,51	10

**Schlüter®-SHELF-E-S1-TS**

Planchet, design WAVE, alu. structuur-gecoat

Art.-No.	€ / St.	P (st.)
SE S1 D10 ...**	89,51	10

**MyDesign by Schlüter-Systems**  
 Individuele coating in 190 RAL-Classic kleuren mogelijk.  
 Meer info vanaf pagina 16.

**Art.-No. aanvullen met oppervlak/kleur (bijv. SE S1 D10 TSC)**

\* Oppervlakken/kleuren: MBW - MGS

\*\* Oppervlakken/kleuren:

TSBG - TSC - TSDA - TSG - TSI - TSOB - TSSG

Beschikbare oppervlakken | Kleuren



**i**  
 Nu ook verkrijgbaar in TSG (structuur-gecoat grijs)

Een overzicht van de oppervlakken en kleuren vindt u vanaf pagina 340.

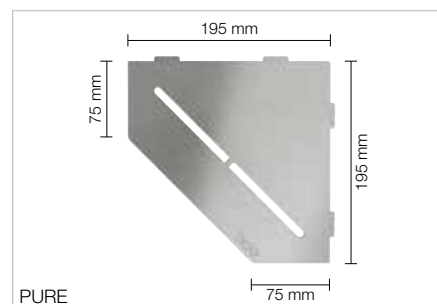
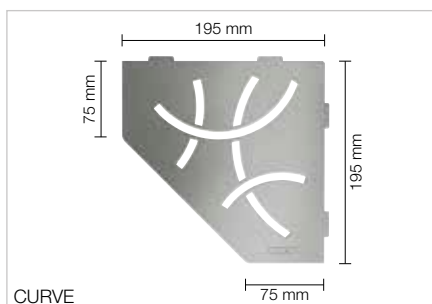
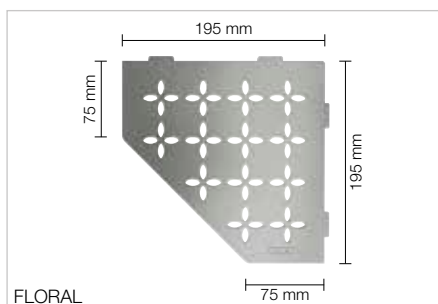
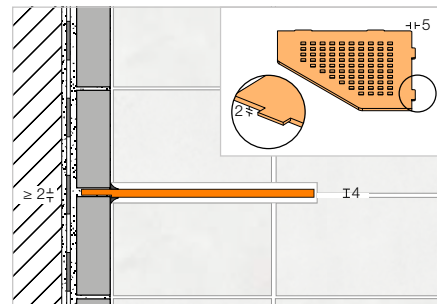


## Planchet

### Schlüter®-SHELF-E-S2



Schlüter-SHELF-E-S2 zijn vijfhoekige planchetten voor hoekinbouw. Ze zijn verkrijgbaar in de designvarianten FLORAL, CURVE, PURE, SQUARE en WAVE, en in de materiaalkwaliteit roestvast staal geborsteld of aluminium met hoogwaardige TRENDLINE poedercoating. De planchetten kunnen bij de betegeling in het tegelbeeld worden geïntegreerd of achteraf met de slechts 2 mm dikke bevestigingslippen in de voegen van betegelde wanden worden geplaatst. SHELF-E-S2 zijn geschikt als planchetten voor de doucheruimte, maar worden bijv. ook toegepast in tegelwanden van keukens. (Productdatablad 17.1)



#### Schlüter®-SHELF-E-S2-EB

Planchet, design FLORAL, roestvast staal geborsteld

Art.-No.	€ / St.	P (st.)
SE S2 D5 EB	117,25	10

#### Schlüter®-SHELF-E-S2-EB

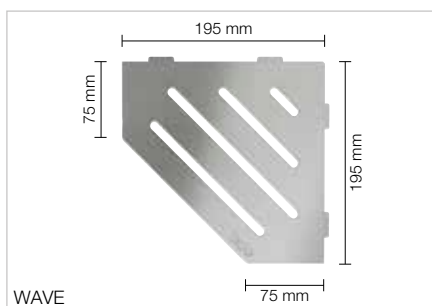
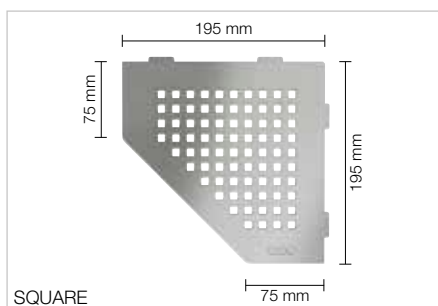
Planchet, design CURVE, roestvast staal geborsteld

Art.-No.	€ / St.	P (st.)
SE S2 D6 EB	110,73	10

#### Schlüter®-SHELF-E-S2-EB

Planchet, design PURE, roestvast staal geborsteld

Art.-No.	€ / St.	P (st.)
SE S2 D7 EB	115,79	10



#### Schlüter®-SHELF-E-S2-EB

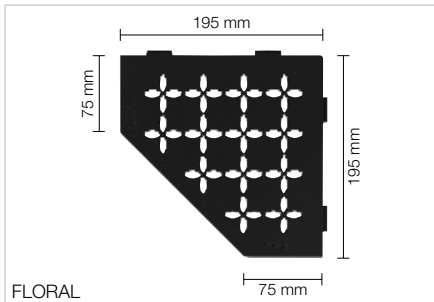
Planchet, design SQUARE, roestvast staal geborsteld

Art.-No.	€ / St.	P (st.)
SE S2 D3 EB	115,79	10

#### Schlüter®-SHELF-E-S2-EB

Planchet, design WAVE, roestvast staal geborsteld

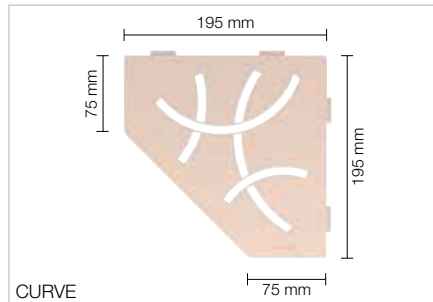
Art.-No.	€ / St.	P (st.)
SE S2 D10 EB	115,79	10



### Schlüter®-SHELF-E-S2-AC

Planchet, design FLORAL, alu. met kleurcoating

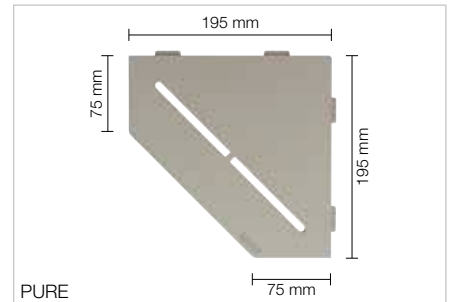
Art.-No.	€ / St.	P (st.)
SE S2 D5 ...*	84,29	10



### Schlüter®-SHELF-E-S2-AC

Planchet, design CURVE, alu. met kleurcoating

Art.-No.	€ / St.	P (st.)
SE S2 D6 ...*	79,22	10



### Schlüter®-SHELF-E-S2-AC

Planchet, design PURE, alu. met kleurcoating

Art.-No.	€ / St.	P (st.)
SE S2 D7 ...*	84,51	10

### Schlüter®-SHELF-E-S2-TS

Planchet, design FLORAL, alu. structuur-gecoat

Art.-No.	€ / St.	P (st.)
SE S2 D5 ...**	91,90	10

### Schlüter®-SHELF-E-S2-TS

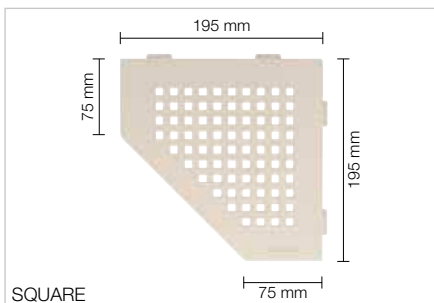
Planchet, design CURVE, alu. structuur-gecoat

Art.-No.	€ / St.	P (st.)
SE S2 D6 ...**	86,84	10

### Schlüter®-SHELF-E-S2-TS

Planchet, design PURE, alu. structuur-gecoat

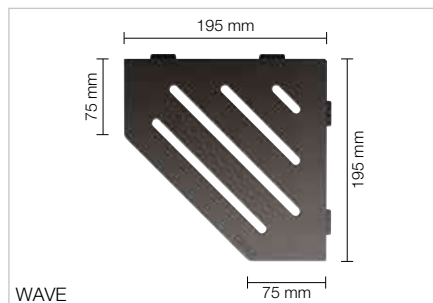
Art.-No.	€ / St.	P (st.)
SE S2 D7 ...**	92,01	10



### Schlüter®-SHELF-E-S2-AC

Planchet, design SQUARE, alu. met kleurcoating

Art.-No.	€ / St.	P (st.)
SE S2 D3 ...*	84,51	10



### Schlüter®-SHELF-E-S2-AC

Planchet, design WAVE, alu. met kleurcoating

Art.-No.	€ / St.	P (st.)
SE S2 D10 ...*	84,51	10

### Schlüter®-SHELF-E-S2-TS

Planchet, design SQUARE, alu. structuur-gecoat

Art.-No.	€ / St.	P (st.)
SE S2 D3 ...**	92,01	10

### Schlüter®-SHELF-E-S2-TS

Planchet, design WAVE, alu. structuur-gecoat

Art.-No.	€ / St.	P (st.)
SE S2 D10 ...**	92,01	10

**MyDesign by Schlüter-Systems**  
Individuele coating in 190 RAL-Classic kleuren mogelijk. Meer info vanaf pagina 16.

Art.-No. aanvullen met oppervlak/kleur (bijv. SE S2 D10 TSC)

\* Oppervlakken/kleuren: MBW - MGS

\*\* Oppervlakken/kleuren:

TSBG - TSC - TSDA - TSG - TSI - TSOB - TSSG

## Beschikbare oppervlakken | Kleuren



**i**  
Nu ook verkrijgbaar in TSG (structuur-gecoat grijs)

Een overzicht van de oppervlakken en kleuren vindt u vanaf pagina 340.



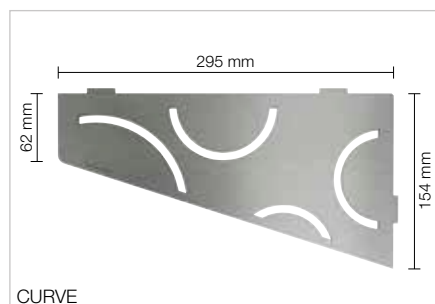
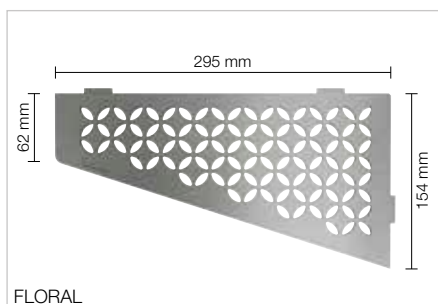
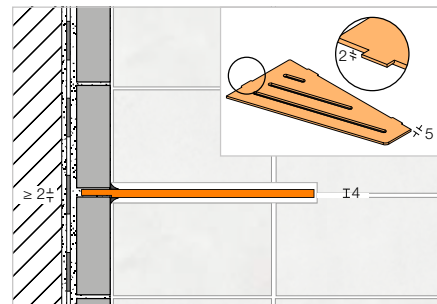
## Planchet

### Schlüter®-SHELF-E-S3



Schlüter-SHELF-E-S3 zijn vierhoekige planchetten met asymmetrische lengtes voor hoekinbouw. Ze zijn verkrijgbaar in de designvarianten FLORAL, CURVE, PURE, SQUARE en WAVE, en in de materiaalkwaliteit roestvast staal geborsteld of aluminium met hoogwaardige TRENDLINE poedercoating. De planchetten kunnen bij de betegeling in het tegelbeeld worden geïntegreerd of achteraf met de slechts 2 mm dikke bevestigingslippen in de voegen van betegelde wanden worden geplaatst. SHELF-E-S3 zijn geschikt als planchetten voor de doucheruimte, maar worden bijv. ook toegepast in tegelwanden van keukens.

(Productdatablad 17.1)



#### Schlüter®-SHELF-E-S3-EB

Planchet, design FLORAL, roestvast staal geborsteld

Art.-No.	€ / St.	P (st.)
SE S3 D5 EB	123,77	10

#### Schlüter®-SHELF-E-S3-EB

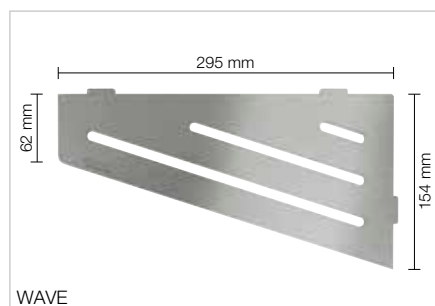
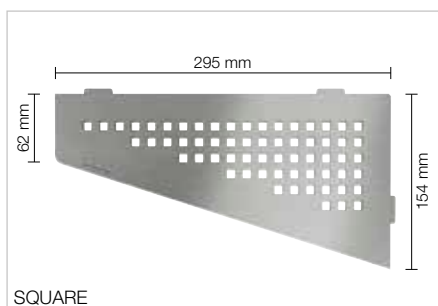
Planchet, design CURVE, roestvast staal geborsteld

Art.-No.	€ / St.	P (st.)
SE S3 D6 EB	117,25	10

#### Schlüter®-SHELF-E-S3-EB

Planchet, design PURE, roestvast staal geborsteld

Art.-No.	€ / St.	P (st.)
SE S3 D7 EB	122,23	10



#### Schlüter®-SHELF-E-S3-EB

Planchet, design SQUARE, roestvast staal geborsteld

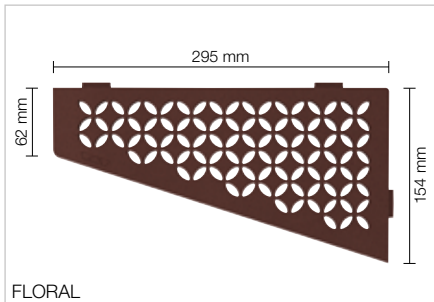
Art.-No.	€ / St.	P (st.)
SE S3 D3 EB	122,23	10

#### Schlüter®-SHELF-E-S3-EB

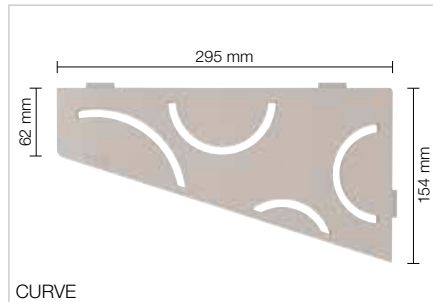
Planchet, design WAVE, roestvast staal geborsteld

Art.-No.	€ / St.	P (st.)
SE S3 D10 EB	122,23	10

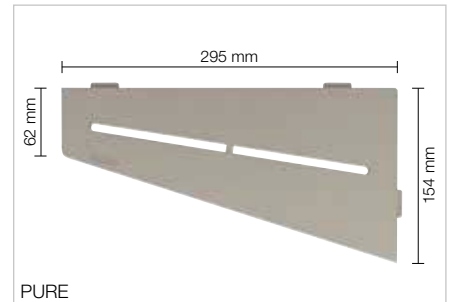




FLORAL



CURVE



PURE

### Schlüter®-SHELF-E-S3-AC

Planchet, design FLORAL, alu. met kleurcoating

Art.-No.	€ / St.	P (st.)
SE S3 D5 ...*	87,46	10

### Schlüter®-SHELF-E-S3-AC

Planchet, design CURVE, alu. met kleurcoating

Art.-No.	€ / St.	P (st.)
SE S3 D6 ...*	81,12	10

### Schlüter®-SHELF-E-S3-AC

Planchet, design PURE, alu. met kleurcoating

Art.-No.	€ / St.	P (st.)
SE S3 D7 ...*	87,64	10

### Schlüter®-SHELF-E-S3-TS

Planchet, design FLORAL, alu. structuur-gecoat

Art.-No.	€ / St.	P (st.)
SE S3 D5 ...**	95,07	10

### Schlüter®-SHELF-E-S3-TS

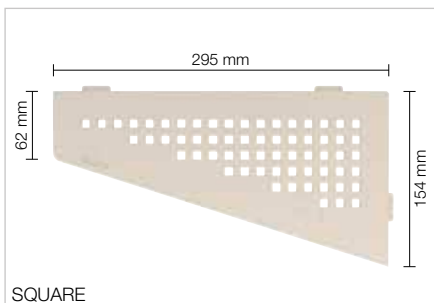
Planchet, design CURVE, alu. structuur-gecoat

Art.-No.	€ / St.	P (st.)
SE S3 D6 ...**	88,73	10

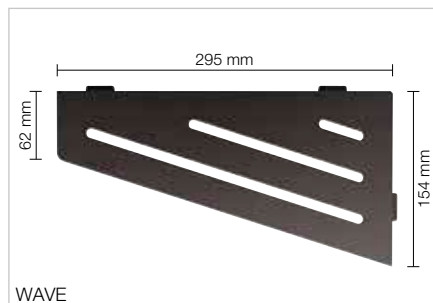
### Schlüter®-SHELF-E-S3-TS

Planchet, design PURE, alu. structuur-gecoat

Art.-No.	€ / St.	P (st.)
SE S3 D7 ...**	93,90	10



SQUARE



WAVE

### Schlüter®-SHELF-E-S3-AC

Planchet, design SQUARE, alu. met kleurcoating

Art.-No.	€ / St.	P (st.)
SE S3 D3 ...*	87,64	10

### Schlüter®-SHELF-E-S3-AC

Planchet, design WAVE, alu. met kleurcoating

Art.-No.	€ / St.	P (st.)
SE S3 D10 ...*	87,64	10

### Schlüter®-SHELF-E-S3-TS

Planchet, design SQUARE, alu. structuur-gecoat

Art.-No.	€ / St.	P (st.)
SE S3 D3 ...**	93,90	10

### Schlüter®-SHELF-E-S3-TS

Planchet, design WAVE, alu. structuur-gecoat

Art.-No.	€ / St.	P (st.)
SE S3 D10 ...**	93,90	10

**MyDesign by Schlüter-Systems**  
 Individuele coating in  
 190 RAL-Classic kleuren mogelijk.  
 Meer info vanaf pagina 16.

Art.-No. aanvullen met oppervlak/kleur (bijv. SE S3 D10 TSC)

\* Oppervlakken/kleuren: MBW - MGS

\*\* Oppervlakken/kleuren:

TSBG - TSC - TSDA - TSG - TSI - TSOB - TSSG

## Beschikbare oppervlakken | Kleuren



**i**  
 Nu ook verkrijgbaar in TSG (structuur-gecoat grijs)

Een overzicht van de oppervlakken en kleuren vindt u vanaf pagina 340.



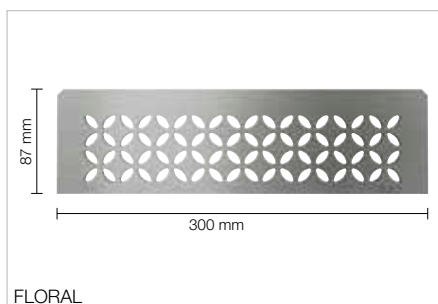
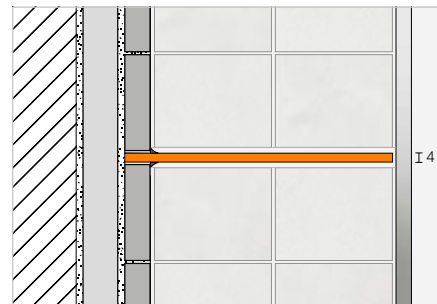
## Planchet

### Schlüter®-SHELF-N

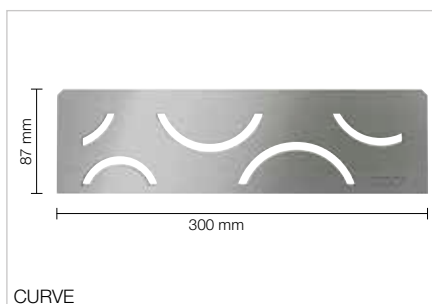


Schlüter-SHELF-N zijn rechthoekige planchetten voor gebruik in de kant-en-klare Schlüter-KERDI-BOARD nissen. Ze zijn verkrijgbaar in de designvarianten FLORAL, CURVE, PURE, SQUARE en WAVE, en in de materiaalkwaliteit roestvast staal geborsteld of aluminium met hoogwaardige TRENDLINE poedercoating. Ze worden tijdens de betegeling precies op maat als planchet in de KERDI-BOARD nissen geïntegreerd.

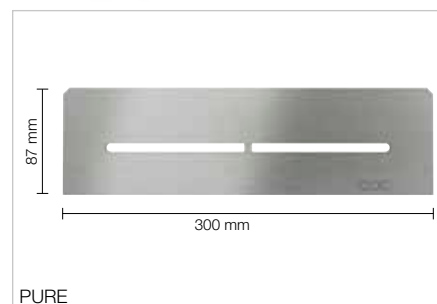
(Productdatablad 17.1)



FLORAL



CURVE



PURE

#### Schlüter®-SHELF-N-S1-EB

Planchet, design FLORAL, roestvast staal geborsteld

Art.-No.	€ / St.	P (st.)
SN S1 D5 EB	115,30	10

#### Schlüter®-SHELF-N-S1-EB

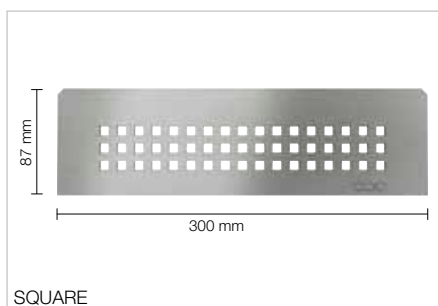
Planchet, design CURVE, roestvast staal geborsteld

Art.-No.	€ / St.	P (st.)
SN S1 D6 EB	107,47	10

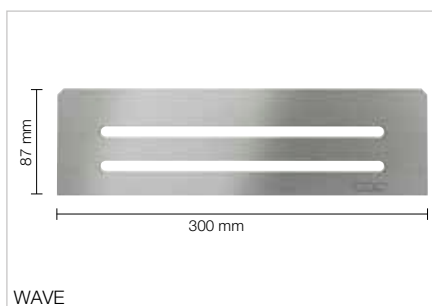
#### Schlüter®-SHELF-N-S1-EB

Planchet, design PURE, roestvast staal geborsteld

Art.-No.	€ / St.	P (st.)
SN S1 D7 EB	115,79	10



SQUARE



WAVE

#### Schlüter®-SHELF-N-S1-EB

Planchet, design SQUARE, roestvast staal geborsteld

Art.-No.	€ / St.	P (st.)
SN S1 D3 EB	115,79	10

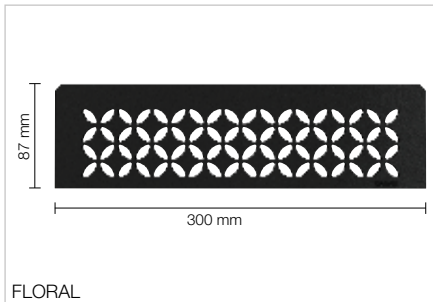
#### Schlüter®-SHELF-N-S1-EB

Planchet, design WAVE, roestvast staal geborsteld

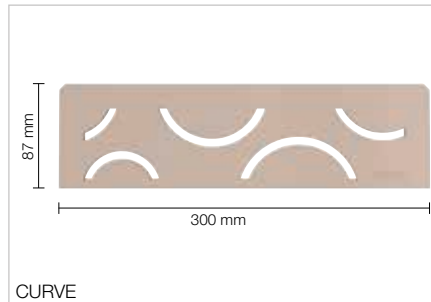
Art.-No.	€ / St.	P (st.)
SN S1 D10 EB	115,79	10

#### Opmerking:

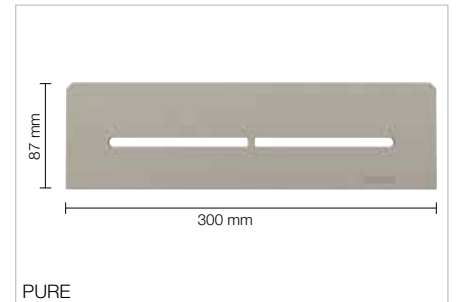
De Schlüter-KERDI-BOARD-N nissen vindt u op pagina's 270–275.



FLORAL



CURVE



PURE

### Schlüter®-SHELF-N-S1-AC

Planchet, design FLORAL, alu. met kleurcoating

Art.-No.	€ / St.	P (st.)
SN S1 D5 ...*	81,12	10

### Schlüter®-SHELF-N-S1-AC

Planchet, design CURVE, alu. met kleurcoating

Art.-No.	€ / St.	P (st.)
SN S1 D6 ...*	69,72	10

### Schlüter®-SHELF-N-S1-AC

Planchet, design PURE, alu. met kleurcoating

Art.-No.	€ / St.	P (st.)
SN S1 D7 ...*	83,25	10

### Schlüter®-SHELF-N-S1-TS

Planchet, design FLORAL, alu. structuur-gecoat

Art.-No.	€ / St.	P (st.)
SN S1 D5 ...**	88,73	10

### Schlüter®-SHELF-N-S1-TS

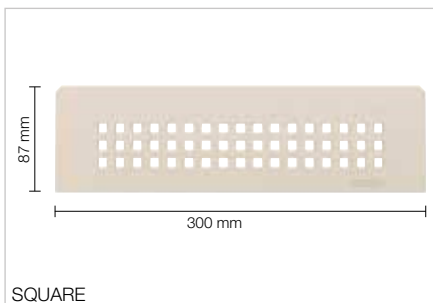
Planchet, design CURVE, alu. structuur-gecoat

Art.-No.	€ / St.	P (st.)
SN S1 D6 ...**	76,06	10

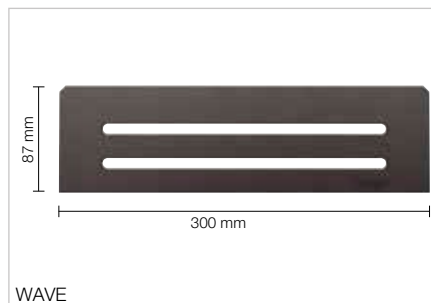
### Schlüter®-SHELF-N-S1-TS

Planchet, design PURE, alu. structuur-gecoat

Art.-No.	€ / St.	P (st.)
SN S1 D7 ...**	89,51	10



SQUARE



WAVE

### Schlüter®-SHELF-N-S1-AC

Planchet, design SQUARE, alu. met kleurcoating

Art.-No.	€ / St.	P (st.)
SN S1 D3 ...*	83,25	10

### Schlüter®-SHELF-N-S1-AC

Planchet, design WAVE, alu. met kleurcoating

Art.-No.	€ / St.	P (st.)
SN S1 D10 ...*	83,25	10

### Schlüter®-SHELF-N-S1-TS

Planchet, design SQUARE, alu. structuur-gecoat

Art.-No.	€ / St.	P (st.)
SN S1 D3 ...**	89,51	10

### Schlüter®-SHELF-N-S1-TS

Planchet, design WAVE, alu. structuur-gecoat

Art.-No.	€ / St.	P (st.)
SN S1 D10 ...**	89,51	10

**MyDesign by Schlüter-Systems**  
Individuele coating in 190 RAL-Classic kleuren mogelijk. Meer info vanaf pagina 16.

Art.-No. aanvullen met oppervlak/kleur (bijv. SN S1 D10 TSC)

\* Oppervlakken/kleuren: MBW - MGS

\*\* Oppervlakken/kleuren:

TSBG - TSC - TSDA - TSG - TSI - TSOB - TSSG

## Beschikbare oppervlakken | Kleuren



**i**  
Nu ook verkrijgbaar in TSG (structuur-gecoat grijs)

Een overzicht van de oppervlakken en kleuren vindt u vanaf pagina 340.



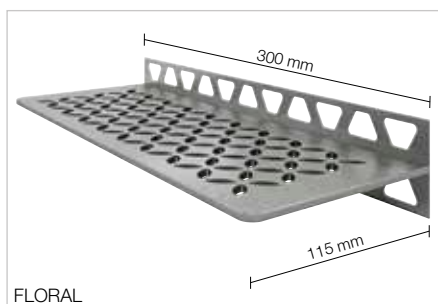
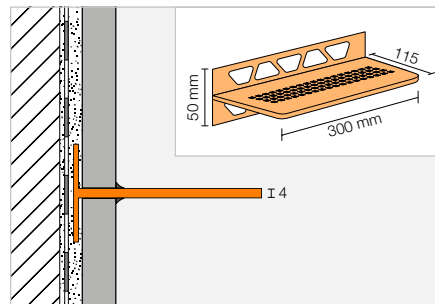
## Planchet

### Schlüter®-SHELF-W

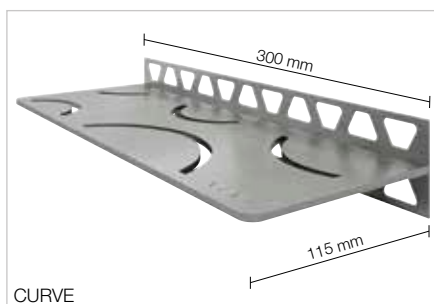


Schlüter-SHELF-W zijn rechthoekige planchetten voor vlakke wandoppervlakken. Ze zijn verkrijgbaar in de designvarianten FLORAL, CURVE, PURE, SQUARE en WAVE, en in de materiaalkwaliteit roestvast staal geborsteld of aluminium met hoogwaardige TRENDLINE poedercoating. Ze worden met de trapeziumvormig geperforeerde bevestigingsvlakken tijdens de betegeling in het tegelbeeld geïntegreerd. Ze zijn geschikt als planchetten voor de doucheruimte, maar worden bijv. ook toegepast in tegelwanden van keukens.

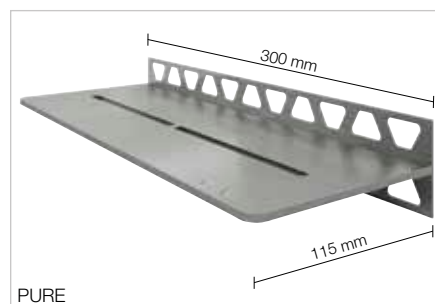
(Productdatablad 17.1)



FLORAL



CURVE



PURE

#### Schlüter®-SHELF-W-S1-EB

Planchet, design FLORAL, roestvast staal geborsteld

Art.-No.	€ / St.	P (st.)
SW S1 D5 EB	156,34	10

#### Schlüter®-SHELF-W-S1-EB

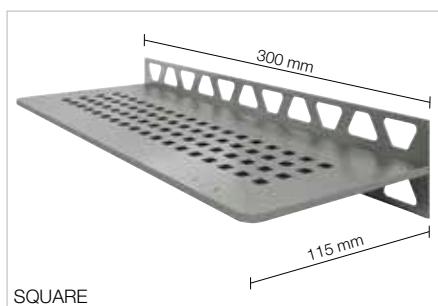
Planchet, design CURVE, roestvast staal geborsteld

Art.-No.	€ / St.	P (st.)
SW S1 D6 EB	143,31	10

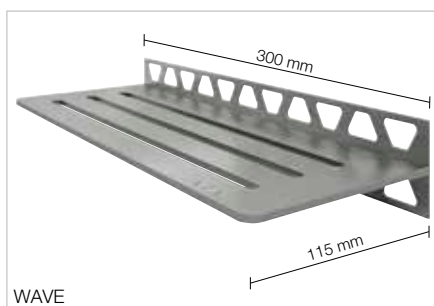
#### Schlüter®-SHELF-W-S1-EB

Planchet, design PURE, roestvast staal geborsteld

Art.-No.	€ / St.	P (st.)
SW S1 D7 EB	160,84	10



SQUARE



WAVE

#### Schlüter®-SHELF-W-S1-EB

Planchet, design SQUARE, roestvast staal geborsteld

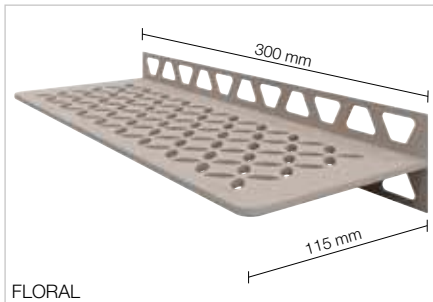
Art.-No.	€ / St.	P (st.)
SW S1 D3 EB	160,84	10

#### Schlüter®-SHELF-W-S1-EB

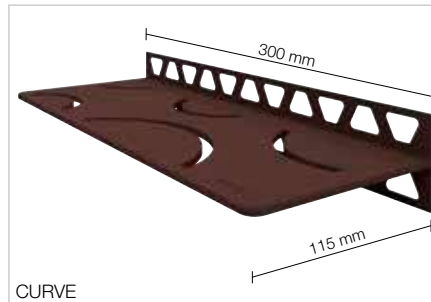
Planchet, design WAVE, roestvast staal geborsteld

Art.-No.	€ / St.	P (st.)
SW S1 D10 EB	160,84	10

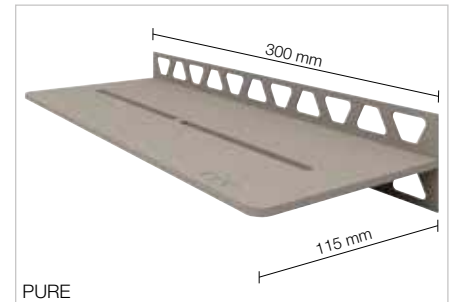




FLORAL



CURVE



PURE

**Schlüter®-SHELF-W-S1-AC**

Planchet, design FLORAL, alu. met kleurcoating

Art.-No.	€ / St.	P (st.)
SW S1 D5 ...*	117,25	10

**Schlüter®-SHELF-W-S1-AC**

Planchet, design CURVE, alu. met kleurcoating

Art.-No.	€ / St.	P (st.)
SW S1 D6 ...*	104,57	10

**Schlüter®-SHELF-W-S1-AC**

Planchet, design PURE, alu. met kleurcoating

Art.-No.	€ / St.	P (st.)
SW S1 D7 ...*	118,94	10

**Schlüter®-SHELF-W-S1-TS**

Planchet, design FLORAL, alu. structuur-gecoat

Art.-No.	€ / St.	P (st.)
SW S1 D5 ...**	124,86	10

**Schlüter®-SHELF-W-S1-TS**

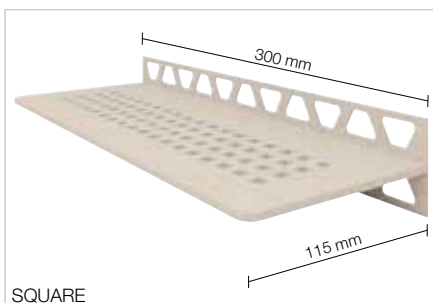
Planchet, design CURVE, alu. structuur-gecoat

Art.-No.	€ / St.	P (st.)
SW S1 D6 ...**	112,19	10

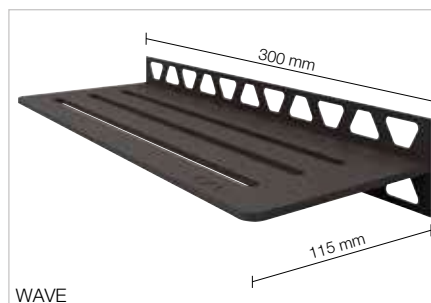
**Schlüter®-SHELF-W-S1-TS**

Planchet, design PURE, alu. structuur-gecoat

Art.-No.	€ / St.	P (st.)
SW S1 D7 ...**	125,19	10



SQUARE



WAVE

**Schlüter®-SHELF-W-S1-AC**

Planchet, design SQUARE, alu. met kleurcoating

Art.-No.	€ / St.	P (st.)
SW S1 D3 ...*	118,94	10

**Schlüter®-SHELF-W-S1-AC**

Planchet, design WAVE, alu. met kleurcoating

Art.-No.	€ / St.	P (st.)
SW S1 D10 ...*	118,94	10

**Schlüter®-SHELF-W-S1-TS**

Planchet, design SQUARE, alu. structuur-gecoat

Art.-No.	€ / St.	P (st.)
SW S1 D3 ...**	125,19	10

**Schlüter®-SHELF-W-S1-TS**

Planchet, design WAVE, alu. structuur-gecoat

Art.-No.	€ / St.	P (st.)
SW S1 D10 ...**	125,19	10

**MyDesign by Schlüter-Systems**  
 Individuele coating in 190 RAL-Classic kleuren mogelijk.  
 Meer info vanaf pagina 16.

**Art.-No. aanvullen met oppervlak/kleur (bijv. SW S1 D10 TSC)**  
 \* Oppervlakken/kleuren: MBW - MGS  
 \*\* Oppervlakken/kleuren: TSBG - TSC - TSDA - TSG - TSI - TSOB - TSSG

Beschikbare oppervlakken | Kleuren



**i**  
 Nu ook verkrijgbaar in TSG (structuur-gecoat grijs)

Een overzicht van de oppervlakken en kleuren vindt u vanaf pagina 340.



# Schlüter®-KERDI-BOARD

## Veel meer dan een bouwplaat

Eenvoudig te verwerken, gemakkelijk te transporteren en waterdicht. Wie met Schlüter-KERDI-BOARD heeft gewerkt, wil niet meer zonder deze voordelen. Ons assortiment heeft voor elke opdracht een passende oplossing: van buisbekledingen tot voorgevormde, verlichte wandnissen. U kunt uw creativiteit de vrije loop laten.





## Constructieplaten

Schlüter®-KERDI-BOARD	267
Schlüter®-KERDI-BOARD-V	276

## Wastafelset

Schlüter®-KERDI-BOARD-W	269
-------------------------	-----

## Nissensets

Schlüter®-KERDI-BOARD-N	270
Schlüter®-KERDI-BOARD-NLT	272
Schlüter®-KERDI-BOARD-NLT-BR	274

## Afdichting

Schlüter®-KERDI-KEBA	277
Schlüter®-KERDI-COLL-L	277

## Profielen

Schlüter®-KERDI-BOARD-ZW	278
Schlüter®-KERDI-BOARD-ZC	278
Schlüter®-KERDI-BOARD-ZA	279
Schlüter®-KERDI-BOARD-ZB	279

## Toebehoren

Schlüter®-KERDI-BOARD-E	276
Schlüter®-KERDI-BOARD-U	276
Schlüter®-KERDI-BOARD-ZSD	280
Schlüter®-KERDI-BOARD-ZT	280
Schlüter®-KERDI-BOARD-ZS	280
Schlüter®-KERDI-BOARD-ZDK	281
Schlüter®-KERDI-BOARD-ZSA	281
Schlüter®-KERDI-BOARD-ZFP	281



# Schlüter®-KERDI-BOARD

## De universele plaatsingsondergrond voor tegels

Veel ondergronden zijn bij nieuwbouw en renovatie niet altijd geschikt om te betegelen, in het bijzonder ondergronden in vochtbelaste ruimtes. Er zijn dan vaak extra werkzaamheden en afdichtingsmaatregelen nodig. Met Schlüter-KERDI-BOARD is het heel eenvoudig om een ondergrond te vervaardigen die klaar is om betegeld te worden – bij ruwbouw, op metall-stud of houtwerk, en gemengde of oude ondergronden bij renovaties. Maar dat is nog niet alles: het materiaal is ook uitstekend geschikt voor scheidingswanden, plateaus en bekledingen.

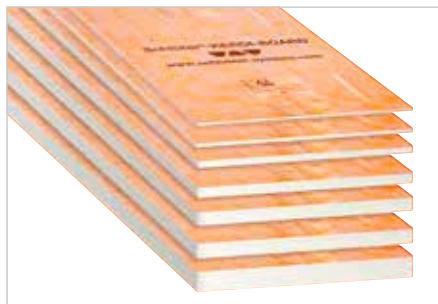
- ✓ Contactafdichting met algemeen bouwtechnisch testcertificaat (abP)
- ✓ Europese vergunning als contactafdichting met CE-markering
- ✓ Waterdicht en temperatuurbestendig
- ✓ Dampremmend
- ✓ Warmte-isolerend
- ✓ Emissiearm
- ✓ Cementvrij / zonder glasvezel
- ✓ Vlak, vorm- en buigvast
- ✓ Stofvrij en eenvoudig te snijden (cuttermes)
- ✓ Opgedrukt snijraster
- ✓ Vliesoppervlak voor verankering in dunbedmortel
- ✓ Licht en dus transportvriendelijk
- ✓ Kan op elke ondergrond worden geplaatst
- ✓ Eenvoudig hanteerbaar



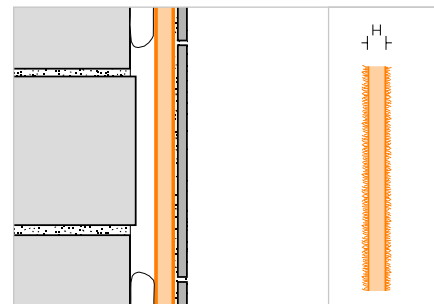


## Constructieplaat

## Schlüter®-KERDI-BOARD



Schlüter-KERDI-BOARD is de universele plaatsingsondergrond voor tegels op gelijk welk type wand, ook direct als contactafdichting. Schlüter-KERDI-BOARD is ook geschikt als ondergrond voor afstrijkbare bekledingsmaterialen of pleisterlagen. (Productdatablad 12.1)



## Schlüter®-KERDI-BOARD

Constructieplaat

H (mm)	62,5 x 260 cm = 1,62 m <sup>2</sup> Art.-No.	€ / m <sup>2</sup>	PL (st.)
5	KB 5 625 2600	<b>40,99</b>	140
9	KB 9 625 2600	<b>42,99</b>	80
12,5	KB 12 625 2600	<b>45,03</b>	60
19	KB 19 625 2600	<b>47,01</b>	42
28	KB 28 625 2600	<b>52,26</b>	28
38	KB 38 625 2600	<b>58,68</b>	21
50	KB 50 625 2600	<b>65,91</b>	15

## Schlüter®-KERDI-BOARD

Gemengde palletten

Samenstelling	L = 2,60 m Art.-No.	€ / St.
20 x 5 mm, 20 x 9 mm, 20 x 12,5 mm, 12 x 19 mm	KB 2600 MP1	<b>5094,28</b>
8 x 28 mm, 6 x 38 mm, 6 x 50 mm	KB 2600 MP2	<b>1888,21</b>
10 x 5 mm, 10 x 9 mm, 10 x 12,5 mm, 6 x 19 mm, 4 x 28 mm, 3 x 38 mm, 3 x 50 mm	KB 2600 MP3	<b>3491,24</b>

## Schlüter®-KERDI-BOARD

Constructieplaat

H (mm)	62,5 x 125 cm = 0,78 m <sup>2</sup> Art.-No.	€ / m <sup>2</sup>	PL (st.)
5	KB 5 625 1250	<b>40,99</b>	140
9	KB 9 625 1250	<b>42,99</b>	80
12,5	KB 12 625 1250	<b>45,03</b>	60
19	KB 19 625 1250	<b>47,01</b>	42
28	KB 28 625 1250	<b>52,26</b>	28
38	KB 38 625 1250	<b>58,68</b>	21
50	KB 50 625 1250	<b>65,91</b>	15

## Schlüter®-KERDI-BOARD

Gemengde palletten

Samenstelling	L = 1,25 m Art.-No.	€ / St.
20 x 5 mm, 20 x 9 mm, 20 x 12,5 mm, 12 x 19 mm	KB 1250 MP1	<b>2452,80</b>
8 x 28 mm, 6 x 38 mm, 6 x 50 mm	KB 1250 MP2	<b>909,13</b>
10 x 5 mm, 10 x 9 mm, 10 x 12,5 mm, 6 x 19 mm, 4 x 28 mm, 3 x 38 mm, 3 x 50 mm	KB 1250 MP3	<b>1680,99</b>

## Afmetingen en verpakkingsgegevens Schlüter®-KERDI-BOARD

Plaatdikte	5 mm	9 mm	12,5 mm	19 mm	28 mm	38 mm	50 mm
Verpakkingseenheid (VPE)	10 platen	10 platen	10 platen	6 platen	4 platen	3 platen	3 platen
Inhoud pallet	14 VPE (140 platen)	8 VPE (80 platen)	6 VPE (60 platen)	7 VPE (42 platen)	7 VPE (28 platen)	7 VPE (21 platen)	5 VPE (15 platen)
<b>Formaat 125 x 62,5 cm</b>							
m <sup>2</sup> / pallet	109,20	62,40	46,80	32,76	21,84	16,38	11,70
kg / plaat	0,843	0,961	1,055	1,167	1,399	1,657	1,966
<b>Formaat 260 x 62,5 cm</b>							
m <sup>2</sup> / pallet	226,80	129,60	97,20	68,04	45,36	34,02	24,30
kg / plaat	1,755	1,998	2,194	2,428	2,911	3,447	4,090



# Schlüter®-KERDI-BOARD-W

Individuele, flexible wastafeloplossing

- ✓ Voorgevormd wastafelelement van KERDI-BOARD
- ✓ Afdichtingscomponenten bij de set inbegrepen
- ✓ Klaar om te worden betegeld
- ✓ Licht gewicht – eenvoudig te verwerken
- ✓ Individueel op maat te snijden
- ✓ 1¼" buitendraad voor in de handel verkrijgbare sifons
- ✓ Geschikt voor KERDI-LINE-VARIO profielen
- ✓ Zwevende montage met optionele wandconsoles mogelijk



## Wastafelset

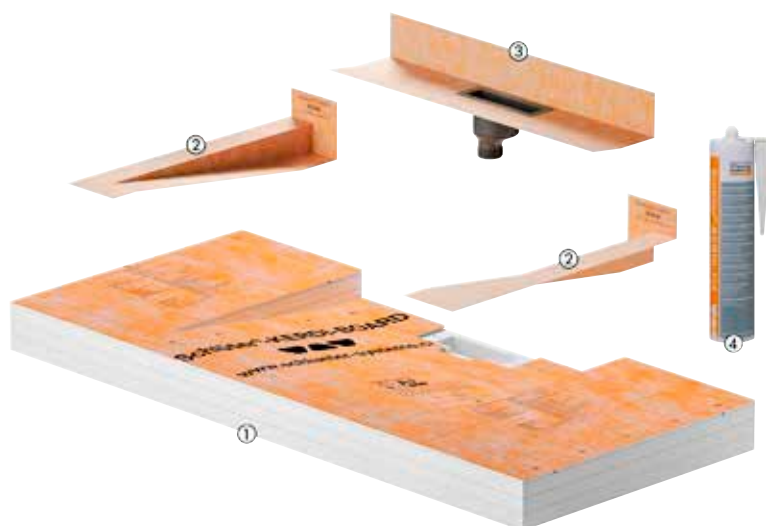
## Schlüter®-KERDI-BOARD-W



Schlüter-KERDI-BOARD-W is een voorgevormd element voor het creëren van individueel te ontwerpen en te betegelen wastafels, waarbij de armaturen aan de wand worden geïnstalleerd. Het element kan in nissen of hoeken worden geplaatst en eenvoudig individueel ter plaatse worden aangepast. Een zwevende montage is met de optioneel verkrijgbare wandconsoles mogelijk.

De meegeleverde afvoeradapter is voorzien van een passende 1¼" buitendraad voor de aansluiting op in de handel verkrijgbare sifons en een vast verlijmd, flexibele KERDI afdichtingsmanchet. Verder zijn bij de levering KERDI-KERS vormstukken inbegrepen voor een betrouwbare afdichting en een KERDI-FIX patroon.

De bij de bekleding van de wastafel passende KERDI-LINE-VARIO afwateringsprofielen moeten apart worden besteld. Deze kunnen naar wens worden ingekort, ze zijn in hoogte verstelbaar en worden af fabriek met twee passende eindkapjes geleverd (zie productdatablad 8.10). (Productdatablad 12.3)

**De set bevat:**

- 1 Voorgevormde wastafel van KERDI-BOARD
- 2 KERDI-KERS vormstukken (rechts en links)
- 3 Afvoeradapter met 1¼" buitendraad incl. KERDI afdichtingsmanchet
- 4 KERDI-FIX patroon

## Schlüter®-KERDI-BOARD-WW

Voorgevormde wastafel incl. hoekafdichting en afvoeradapter met vast verlijmd afdichtingsmanchet

B x H x T (mm)	Art.-No.	€ / Set	PL (Set)
1170 x 82 x 520	KB W 520 1170 WL V1	<b>507,38</b>	10

**Opmerking:**

De wastafel KERDI-BOARD-W kan alleen met onze afwateringsprofielen KERDI-LINE-VARIO COVE of WAVE worden gecombineerd.

## Consoleset

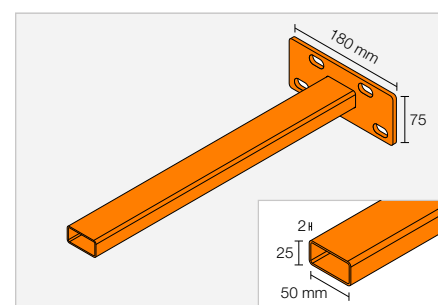
## Schlüter®-KERDI-BOARD-AB

Consoleset voor zwevende bevestiging van de wastafel aan de wand, incl. bevestigingsmateriaal

Art.-No.	€ / Set	PL (Set)
KB W AB 450	<b>131,20</b>	10

**De set bevat:**

- 2 consoles
- bevestigingsmateriaal
- boorsjabloon





## Nissenset

### Schlüter®-KERDI-BOARD-N



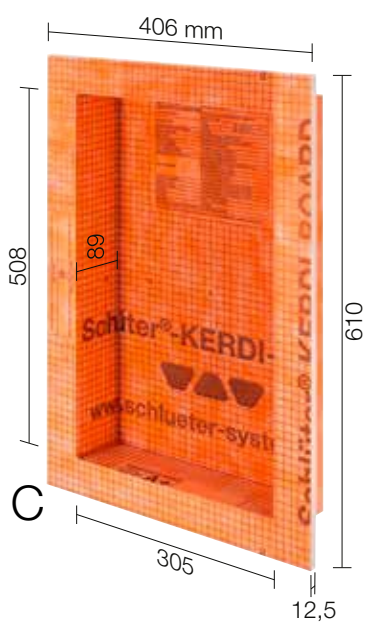
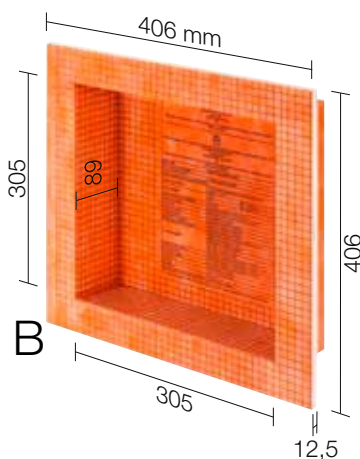
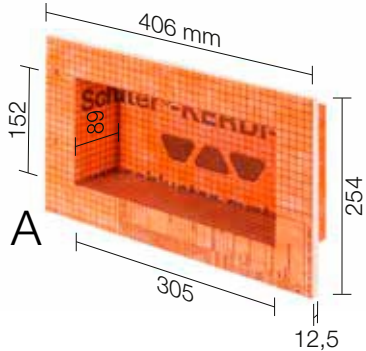
Schlüter-KERDI-BOARD-N zijn voorgevormde inbouwelementen van KERDI-BOARD voor de inrichting van nissen en plateaus voor allerlei soorten wanden. In combinatie met het Schlüter-KERDI afdichtingsysteem kunnen deze nissen als contactafdichting worden uitgevoerd. De nissen zijn verkrijgbaar in verschillende afmetingen. De rechthoekige nissen kunnen naar wens verticaal of horizontaal worden ingebouwd. Alle nissen worden met een voorgevormde manchet geleverd.

(Productdatablad 12.1)

i

De planchetten Schlüter-SHELF-N vindt u op pagina 260 en 261.

### Afmetingen van de nissen







## Schlüter®-KERDI-BOARD-N

Nissenset

	B x H x T (mm)	Plaatdikte (mm)	Art.-No.	€ / St.	PL (st.)
A	305 x 152 x 89	12,5	KB 12 N 305 152 A	<b>66,88</b>	20
B	305 x 305 x 89	12,5	KB 12 N 305 305 A	<b>83,68</b>	20
C	305 x 508 x 89	12,5	KB 12 N 305 508 A1	<b>123,72</b>	20
D	305 x 711 x 89	12,5	KB 12 N 305 711 A1	<b>167,39</b>	20

**Opmerking:** De afmetingen verwijzen naar de binnenmaten.

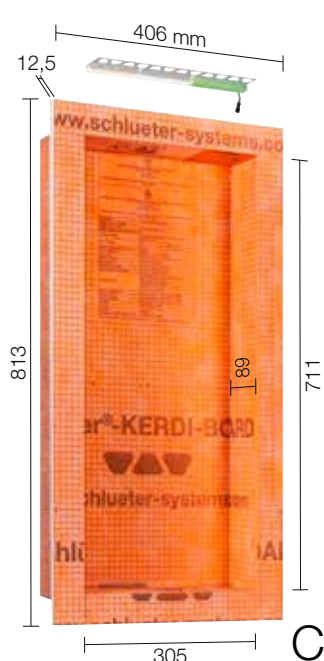
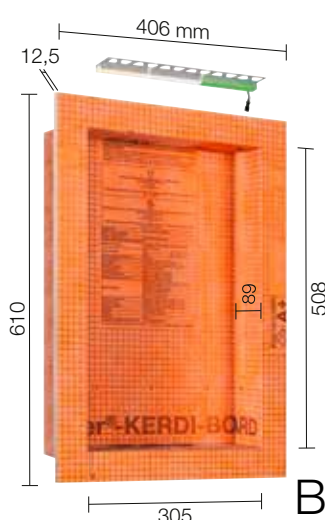
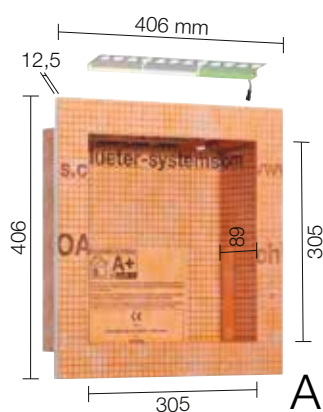


# Schlüter®-KERDI-BOARD-NLT

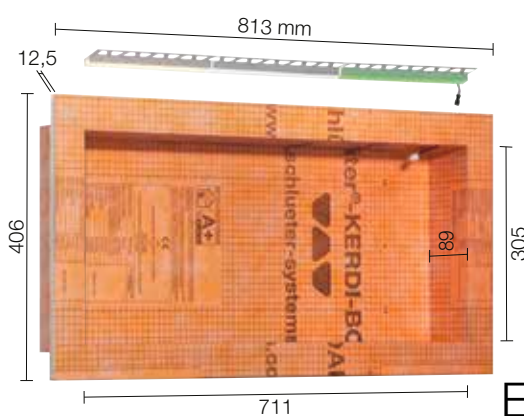
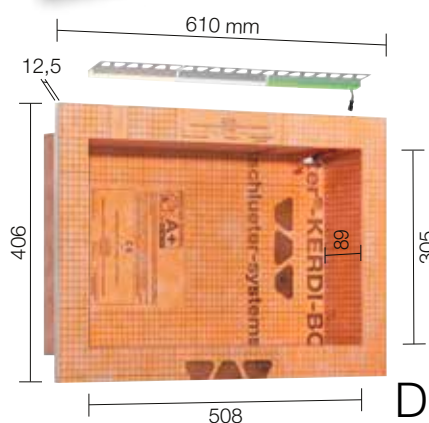
Schlüter-KERDI-BOARD-NLT zijn voorgevormde inbouwelementen van KERDI-BOARD met LIPROTEC LED-techniek in Plug & Play-uitvoering. Deze dienen voor de constructie van verlichte nissen en opbergruimtes voor allerlei soorten wanden. In combinatie met het Schlüter-KERDI afdichtingssysteem kunnen deze nissen als contactafdichting worden uitgevoerd. De nissen zijn verkrijgbaar in verschillende afmetingen en lichtkleuren. De rechthoekige nissen zijn naar keuze verkrijgbaar met verlichting aan de lange of smalle zijde. De LED-module kan naar keuze aan de voorkant, in het midden of tegen de betegelde achterwand worden gepositioneerd. Bij de levering horen alle voor de inbouw benodigde componenten, zoals de kabelverbinding, de voeding en de afdichtingsmanchet.

(Productdatablad 12.2)

## Afmetingen van de nissen



**i**  
De planchetten Schlüter-SHELF-N vindt u op pagina 260 en 261.



## De set bevat:



**i**  
Bluetooth-sturing  
afzonderlijk verkrijgbaar!

## Nissenset met LED-verlichting

## Schlüter®-KERDI-BOARD-NLT

Nissenset met LED-verlichting

	B x H x T (mm)	Lichttype	Art.-No.	€ / Set	PL (Set)
A	305 x 305 x 89	warm wit	KB 12 NL TP1 AE 1	<b>300,46</b>	20
		neutraal wit	KB 12 NL TP1 AE 2	<b>300,46</b>	20
		RGB + wit	KB 12 NL TP1 AE 9	<b>338,01</b>	20
B	305 x 508 x 89	warm wit	KB 12 NL TP2 AE 1	<b>338,01</b>	20
		neutraal wit	KB 12 NL TP2 AE 2	<b>338,01</b>	20
		RGB + wit	KB 12 NL TP2 AE 9	<b>375,57</b>	20
C	305 x 711 x 89	warm wit	KB 12 NL TP3 AE 1	<b>388,10</b>	20
		neutraal wit	KB 12 NL TP3 AE 2	<b>388,10</b>	20
		RGB + wit	KB 12 NL TP3 AE 9	<b>425,65</b>	20
D	508 x 305 x 89	warm wit	KB 12 NL TP4 AE 1	<b>369,32</b>	20
		neutraal wit	KB 12 NL TP4 AE 2	<b>369,32</b>	20
		RGB + wit	KB 12 NL TP4 AE 9	<b>388,10</b>	20
E	711 x 305 x 89	warm wit	KB 12 NL TP5 AE 1	<b>450,68</b>	20
		neutraal wit	KB 12 NL TP5 AE 2	<b>450,68</b>	20
		RGB + wit	KB 12 NL TP5 AE 9	<b>469,47</b>	20

**Opmerking:** De afmetingen verwijzen naar de binnenmaten. De eerste lengtegegevens staan voor de verlichte lengte.

## Technische gegevens van de inbegrepen LED-module

NLT 9 (RGB+W)		NLT 1 (warm wit)		NLT 2 (neutraal wit)	
Afmetingen LED (B x H)	17 x 14,5 mm	Afmetingen LED (B x H)	12 x 10,5 mm	Afmetingen LED (B x H)	12 x 10,5 mm
Nominaal vermogen (W/m)	zie LT 25 pagina 80	Nominaal vermogen (W/m)	zie LT 25 pagina 80	Nominaal vermogen (W/m)	zie LT 25 pagina 80
EEK	F	EEK	E	EEK	E
Aantal LED's (St./m)	112	Aantal LED's (St./m)	280	Aantal LED's (St./m)	280
Kleurtemperatuur (kelvin)	RGB+W (2700 K)	Kleurtemperatuur (kelvin)	3000 K	Kleurtemperatuur (kelvin)	4900 K
CRI	90	CRI	92	CRI	92
Inbegrepen voeding	230 V, 15 W	Inbegrepen voeding	230 V, 15 W	Inbegrepen voeding	230 V, 15 W
Inbegrepen kabel	3 m	Inbegrepen kabel	3 m	Inbegrepen kabel	3 m



**i**  
Gedetailleerde technische informatie over  
Schlüter-KERDI-BOARD-NLT / -NLT-BR  
vindt u in onze Schlüter-LIPROTEC  
beeldprijslijst.





## Schlüter®-KERDI-BOARD-NLT-BR

Schlüter-KERDI-BOARD-NLT-BR zijn voorgevormde inbouwelementen van KERDI-BOARD met LIPROTEC LED-techniek RGB+W in Plug & Play-uitvoering en met Bluetooth-/radiogestuurde receiver. De verschillende lichtkleuren kunnen naar keuze via de meegeleverde afstandsbediening of via Bluetooth-compatibele smartphones of tablets worden geselecteerd. Deze dienen voor de constructie van verlichte nissen en opbergruimtes voor allerlei soorten wanden. In combinatie met het Schlüter-KERDI afdichtingssysteem kunnen deze nissen als contactafdichting worden uitgevoerd.

De nissen zijn verkrijgbaar in verschillende afmetingen. De rechthoekige nissen zijn naar keuze verkrijgbaar met verlichting aan de lange of smalle zijde. De LED-module RGB+W kan naar keuze aan de voorkant, in het midden of tegen de betegelde achterwand worden gepositioneerd. Bij de levering horen alle voor de inbouw benodigde componenten, zoals de kabelverbinding, de voeding, de Bluetooth-sturing LIPROTEC-PEBR 4 en de afdichtingsmanchet. Voor een optimaal bedieningscomfort raden wij aan ter plaatse een lichtschakelaar van de klant te installeren.

(Productdatablad 12.2)



i  
De planchetten Schlüter-SHELF-N vindt u op pagina 260 en 261.

### De set bevat:



**Opmerking:** De verschillende nis-varianten vindt u op pagina 272.

i  
Inclusief Bluetooth-receiver met afstandsbediening!



## Nissenset met LED-verlichting en sturing

## Schlüter®-KERDI-BOARD-NLT-BR

Nissenset met LED-verlichting en sturing

	B x H x T (mm)	Lichttype	Art.-No.	€ / Set	PL (Set)
A	305 x 305 x 89	RGB + wit	KB 12 NL TP1 AE 9 BR	<b>557,11</b>	20
B	305 x 508 x 89	RGB + wit	KB 12 NL TP2 AE 9 BR	<b>594,66</b>	20
C	305 x 711 x 89	RGB + wit	KB 12 NL TP3 AE 9 BR	<b>644,74</b>	20
D	508 x 305 x 89	RGB + wit	KB 12 NL TP4 AE 9 BR	<b>607,18</b>	20
E	711 x 305 x 89	RGB + wit	KB 12 NL TP5 AE 9 BR	<b>688,54</b>	20

**Opmerking:** De afmetingen verwijzen naar de binnenmaten. De eerste lengtegegevens staan voor de verlichte lengte.

## Technische gegevens van de inbegrepen LED-module

## NLT 9 (RGB+W)

Afmetingen LED (BxH)	17 x 14,5 mm
Nominaal vermogen (W/m)	zie LT 25 pagina 80
EEK	F
Aantal LED's (St./m)	112
CRI	90
Inbegrepen voeding	230 V, 15 W
Inbegrepen kabel	3 m



## Technische gegevens van de inbegrepen Bluetooth-sturing

## LT PEBR 4

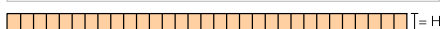
Transmissie receiver/afstandsbediening	Bluetooth/radiogestuurd
Max. reikwijdte	10 m
Ingangsspanning	24 V, DC
Max. totale belasting in LIPROTEC-systeem	90 W
Max. lengte LED-strips	6 m
Beschermingsgraad	IP63
Omgevingstemperatuur	-20 °C tot +50 °C





## Constructieplaat

### Schlüter®-KERDI-BOARD-V



Schlüter-KERDI-BOARD-V is een verticaal ingezaagde constructieplaat om afgeronde plaatsingsondergronden te realiseren.  
(Productdatablad 12.1)

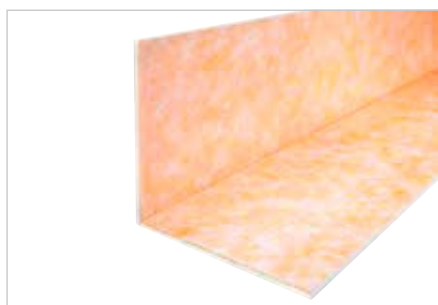
#### Schlüter®-KERDI-BOARD-V

Verticaal ingezaagde constructieplaat

H (mm)	62,5 x 260 cm = 1,62 m <sup>2</sup> Art.-No.	€ / m <sup>2</sup>	PL (st.)
9	KB 9 625 2600 V	<b>54,57</b>	80
12,5	KB 12 625 2600 V	<b>56,59</b>	60
19	KB 19 625 2600 V	<b>58,60</b>	42
28	KB 28 625 2600 V	<b>63,81</b>	28
38	KB 38 625 2600 V	<b>70,24</b>	21
50	KB 50 625 2600 V	<b>77,49</b>	15

## Hoেকেlement

### Schlüter®-KERDI-BOARD-E



Schlüter-KERDI-BOARD-E is een hoেকেlement om hoeken te vormen en buisbekledingen te realiseren.  
(Productdatablad 12.1)

#### Schlüter®-KERDI-BOARD-E

Hoেকেlement 260 x 62,5 cm

H (mm)	31 x 31 cm Art.-No.	€ / St.	PL (st.)
12,5	KB 12 625 2600 E	<b>99,20</b>	60
19	KB 19 625 2600 E	<b>102,42</b>	42
28	KB 28 625 2600 E	<b>110,92</b>	28

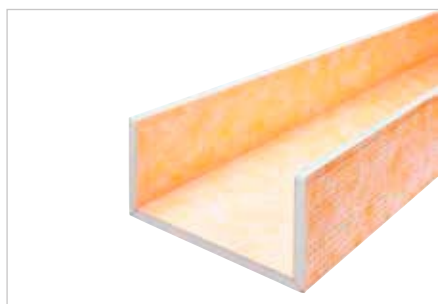
#### Schlüter®-KERDI-BOARD-E/-U

Gemengde verpakking buiskasten / hoেকেlementen

Samenstelling	L = 2,60 m Art.-No.	€ / St.
2 x KB 19 625 2600 E 2 x KB 19 625 2600 U 20 2 x KB 19 625 2600 U 30	KB RK 2600 MP1	<b>718,95</b>

## Buisbekleding

### Schlüter®-KERDI-BOARD-U



Schlüter-KERDI-BOARD-U is een U-element om buisbekledingen te realiseren.  
(Productdatablad 12.1)

#### Schlüter®-KERDI-BOARD-U

U-element 260 x 62,5 cm

H (mm)	21 x 20 x 21 cm Art.-No.	€ / St.	PL (st.)
19	KB 19 625 2600 U 20	<b>128,55</b>	42

#### Schlüter®-KERDI-BOARD-U

U-element 260 x 62,5 cm

H (mm)	16 x 30 x 16 cm Art.-No.	€ / St.	PL (st.)
19	KB 19 625 2600 U 30	<b>128,55</b>	42

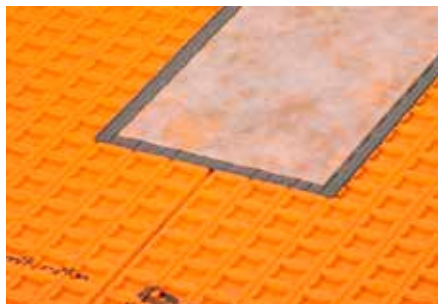
#### Schlüter®-KERDI-BOARD-E/-U

Gemengde verpakking buiskasten / hoেকেlementen

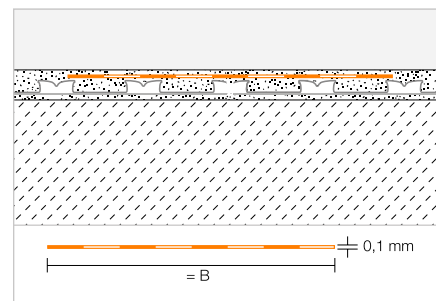
Samenstelling	L = 2,60 m Art.-No.	€ / St.
2 x KB 19 625 2600 E 2 x KB 19 625 2600 U 20 2 x KB 19 625 2600 U 30	KB RK 2600 MP1	<b>718,95</b>

## Afdichtingsband

## Schlüter®-KERDI-KEBA



Schlüter-KERDI-KEBA zijn afdichtingsbanden uit polyethyleen, die aan beide zijden zijn voorzien van een vliesweefsel, voor het afdichten van stootnaden en wand-vloeraansluitingen. (Productdatablad 8.1)



## Schlüter®-KERDI-KEBA

Polyethyleen op rol

B (mm)	Rol = 30 m Art.-No.	€ / m	PL (rol)
85	KEBA 100 / 85	<b>2,68</b>	336
125	KEBA 100 / 125	<b>4,02</b>	210
150	KEBA 100 / 150	<b>4,25</b>	210
185	KEBA 100 / 185	<b>5,51</b>	168
250	KEBA 100 / 250	<b>7,13</b>	126

## Schlüter®-KERDI-KEBA/5M

Polyethyleen op rol

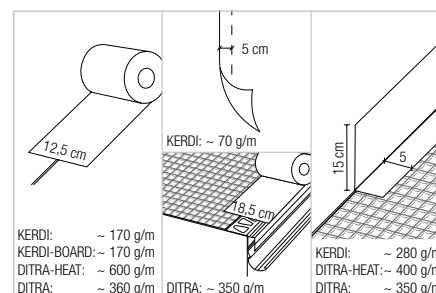
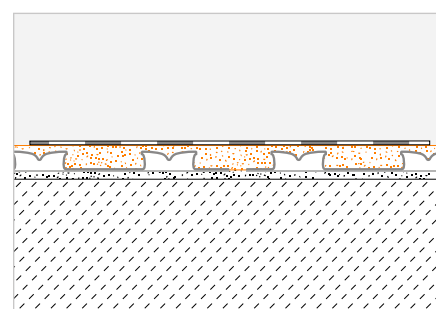
B (mm)	Rol = 5 m Art.-No.	€ / m	P (rol)
85	KEBA 100 / 85 / 5M	<b>3,77</b>	10
125	KEBA 100 / 125 / 5M	<b>5,02</b>	10
150	KEBA 100 / 150 / 5M	<b>5,39</b>	10
185	KEBA 100 / 185 / 5M	<b>6,56</b>	10
250	KEBA 100 / 250 / 5M	<b>8,23</b>	10

## Afdichtingslijm

## Schlüter®-KERDI-COLL-L



Schlüter-KERDI-COLL-L is een tweecomponenten afdichtingslijm op basis van een oplosmiddelvrije acrylaatdispersie en een reactief poeder van het cementtype. Deze lijm is bedoeld om overlappingen van Schlüter-KERDI-stroken vast te lijmen en af te dichten. Voorts kan met KERDI-COLL-L de naad- en aansluitverbinding gebeuren van de afdichtingsbanden Schlüter-KERDI-KEBA op contactafdichtingen met geschikte producten van Schlüter-Systems, alsook op Schlüter-BARA-randprofielen. (Productdatablad 8.4)



## Schlüter®-KERDI-COLL-L

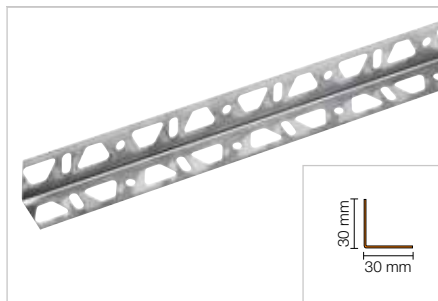
2-componenten afdichtingslijm

Gewicht (kg)	Art.-No.	€ / kg	PL (st.)
1,85	KERDI-COLL-L 185	<b>15,18</b>	110
4,25	KERDI-COLL-L	<b>12,50</b>	75



## Hoekprofiel

### Schlüter®-KERDI-BOARD-ZW



Schlüter-KERDI-BOARD-ZW is een hoekprofiel uit roestvast staal 30 x 30 mm met twee geperforeerde vlakken. Het wordt gebruikt om constructies met Schlüter-KERDI-BOARD constructieplaten te fixeren en te stabiliseren. De bevestiging kan naar keuze met schroeven of in dunbedmortel gebeuren. (Productdatablad 12.1)

#### Schlüter®-KERDI-BOARD-ZW

Hoekprofiel uit roestvast staal 30 x 30 mm

L (cm)	Art.-No.	€ / St.	KV (st.)
15	KB ZW 30 E/15	<b>1,68</b>	120

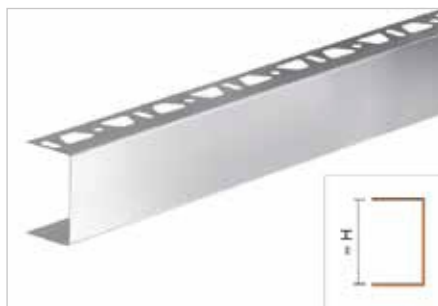
#### Schlüter®-KERDI-BOARD-ZW

Hoekprofiel uit roestvast staal 30 x 30 mm

L (cm)	Art.-No.	€ / m	KV (st.)
250	KB ZW 30 E	<b>10,00</b>	120

## U-profiel | Hoekstuk | Naadafdekking

### Schlüter®-KERDI-BOARD-ZC



Schlüter-KERDI-BOARD-ZC is een U-profiel uit geborsteld roestvast staal met perforaties in één zijvlak. Het is met name geschikt om keukenwerkbladen, wastafels en dergelijke af te werken. (Productdatablad 12.1)

#### Schlüter®-KERDI-BOARD-ZC

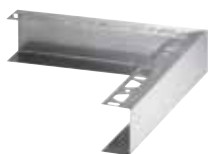
U-profiel, enkelzijdige perforatie, roestvast staal V2A geborsteld

H (mm)	L = 2,50 m Art.-No.	€ / m	KV (st.)
38	KB ZC 38 EB	<b>23,71</b>	40
50	KB ZC 50 EB	<b>25,91</b>	40

#### Schlüter®-KERDI-BOARD-ZC/E

U-hoekstuk, enkelzijdige perforatie, roestvast staal V2A geborsteld

H (mm)	Art.-No.	€ / St.	P (st.)
38	E/KB ZC 38 EB	<b>21,34</b>	10
50	E/KB ZC 50 EB	<b>21,34</b>	10



KERDI-BOARD-ZC/E

#### Schlüter®-KERDI-BOARD-Z/V

Buiten-naadafdekking roestvast staal V2A geborsteld

H (mm)	Art.-No.	€ / St.	P (st.)
38	V/KB Z 38 EB	<b>6,75</b>	50
50	V/KB Z 50 EB	<b>6,75</b>	50



KERDI-BOARD-Z/V

#### Schlüter®-KERDI-BOARD-ZI/V

Binnen-naadafdekking roestvast staal V2A geborsteld

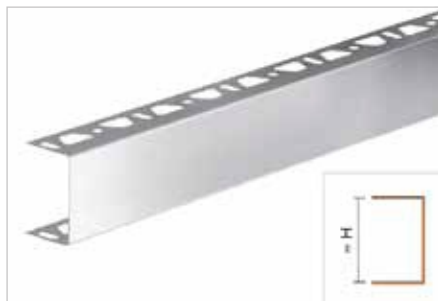
H (mm)	Art.-No.	€ / St.	P (st.)
38	V/KB ZI 38 E	<b>4,17</b>	50
50	V/KB ZI 50 E	<b>4,17</b>	50



KERDI-BOARD-ZI/V



## U-profiel | Hoekstuk | Naadafdekking

**Schlüter®-KERDI-BOARD-ZA**

Schlüter-KERDI-BOARD-ZA is een U-profiel uit geborsteld roestvast staal met perforaties in beide zijvlakken. Het is met name geschikt voor de visuele afsluiting van scheidingswanden en plateaus.

(Productdatablad 12.1)

**Schlüter®-KERDI-BOARD-ZA**

U-profiel, dubbelzijdige perforatie, roestvast staal V2A geborsteld

H (mm)	L = 2,50 m Art.-No.	€ / m	KV (st.)
19	KB ZA 19 EB	<b>20,12</b>	40
28	KB ZA 28 EB	<b>21,73</b>	40
38	KB ZA 38 EB	<b>23,71</b>	40
50	KB ZA 50 EB	<b>25,91</b>	40

**Schlüter®-KERDI-BOARD-ZA/E**

U-hoekstuk, dubbelzijdige perforatie, roestvast staal V2A geborsteld

H (mm)	Art.-No.	€ / St.	P (st.)
38	E/KB ZA 38 EB	<b>21,34</b>	10
50	E/KB ZA 50 EB	<b>21,34</b>	10



KERDI-BOARD-ZA/E

**Schlüter®-KERDI-BOARD-Z/V**

Buiten-naadafdekking roestvast staal V2A geborsteld

H (mm)	Art.-No.	€ / St.	P (st.)
19	V/KB Z 19 EB	<b>6,75</b>	50
28	V/KB Z 28 EB	<b>6,75</b>	50
38	V/KB Z 38 EB	<b>6,75</b>	50
50	V/KB Z 50 EB	<b>6,75</b>	50



KERDI-BOARD-Z/V

**Schlüter®-KERDI-BOARD-ZI/V**

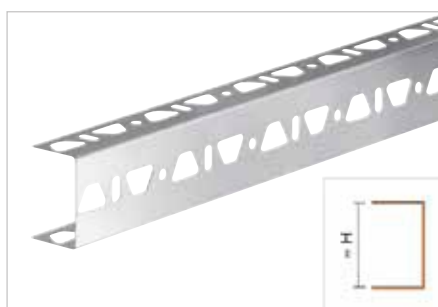
Binnen-naadafdekking roestvast staal V2A geborsteld

H (mm)	Art.-No.	€ / St.	P (st.)
19	V/KB ZI 19 E	<b>4,17</b>	50
28	V/KB ZI 28 E	<b>4,17</b>	50
38	V/KB ZI 38 E	<b>4,17</b>	50
50	V/KB ZI 50 E	<b>4,17</b>	50



KERDI-BOARD-ZI/V

## U-profiel

**Schlüter®-KERDI-BOARD-ZB**

Schlüter-KERDI-BOARD-ZB is een U-profiel uit roestvast staal met perforaties aan drie zijden. Het wordt gebruikt om constructies met Schlüter-KERDI-BOARD constructieplaten te fixeren en te stabiliseren.

(Productdatablad 12.1)

**Schlüter®-KERDI-BOARD-ZB**

U-profiel, driezijdige perforatie, roestvast staal V2A

H (mm)	L = 2,50 m Art.-No.	€ / m	KV (st.)
19	KB ZB 19 E	<b>17,33</b>	40
28	KB ZB 28 E	<b>18,73</b>	40
38	KB ZB 38 E	<b>20,25</b>	40
50	KB ZB 50 E	<b>22,24</b>	40



## Slagpluggen

### Schlüter®-KERDI-BOARD-ZSD



Ø 8 mm

Schlüter-KERDI-BOARD-ZSD zijn slagpluggen uit verzinkt staal of roestvast staal voor de aanvullende mechanische bevestiging van Schlüter-KERDI-BOARD op de ondergrond. (Productdatablad 12.1)

#### Schlüter®-KERDI-BOARD-ZSD

Slagpluggen roestvast staal

L (cm)	Art.-No.	€ / Pakket	P (pakket)
9	KB ZSD 90 E	28,91	10
11	KB ZSD 110 E	33,36	10

Pakket = 25 st.

#### Schlüter®-KERDI-BOARD-ZSD

Slagpluggen verzinkt

L (cm)	Art.-No.	€ / Pakket	P (pakket)
9	KB ZSD 90 Z	15,51	10
11	KB ZSD 110 Z	17,87	10

Pakket = 25 st.

## Rozetten

### Schlüter®-KERDI-BOARD-ZT



Schlüter-KERDI-BOARD-ZT zijn rozetten uit verzinkt staal of roestvast staal voor de bevestiging van Schlüter-KERDI-BOARD op houten of metalen constructies. (Productdatablad 12.1)

#### Schlüter®-KERDI-BOARD-ZT

Rozetten roestvast staal Ø 36 mm

Art.-No.	€ / Pakket	P (pakket)
KB ZT 36 E	63,61	10

Pakket = 100 st.

#### Schlüter®-KERDI-BOARD-ZT

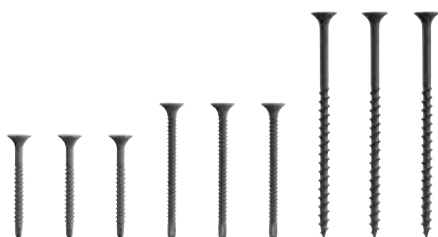
Rozetten verzinkt Ø 36 mm

Art.-No.	€ / Pakket	P (pakket)
KB ZT 36 Z	22,67	10

Pakket = 100 st.

## Snelbouwschroeven

### Schlüter®-KERDI-BOARD-ZS



Schlüter-KERDI-BOARD-ZS zijn snelbouwschroeven voor de bevestiging van Schlüter-KERDI-BOARD op houten of metalen constructies. (Productdatablad 12.1)

#### Schlüter®-KERDI-BOARD-ZS

35 mm zelftappende snelbouwschroeven

Art.-No.	€ / Pakket	P (pakket)
KB ZS 35 FB	7,01	10

Pakket = 200 st.

#### Schlüter®-KERDI-BOARD-ZS

55 mm zelftappende snelbouwschroeven

Art.-No.	€ / Pakket	P (pakket)
KB ZS 55 FB	4,34	10

Pakket = 100 st.

#### Schlüter®-KERDI-BOARD-ZS

75 mm snelbouwschroeven met grofdraad

Art.-No.	€ / Pakket	P (pakket)
KB ZS 75 G	6,43	10

Pakket = 100 st.

## Kleefband

**Schlüter®-KERDI-BOARD-ZDK**

Schlüter-KERDI-BOARD-ZDK is een dubbele kleefband om Schlüter-KERDI-BOARD-platen in stootzones te bevestigen.  
(Productdatablad 12.1)

**Schlüter®-KERDI-BOARD-ZDK**

Dubbelzijdige kleefband

B (mm)	L = 10 m Art.-No.	€ / St.	P (st.)
12	KB ZDK 12/10M	<b>9,57</b>	10
19	KB ZDK 19/10M	<b>14,85</b>	10
30	KB ZDK 30/10M	<b>23,34</b>	10

## Naadwapening

**Schlüter®-KERDI-BOARD-ZSA**

Schlüter-KERDI-BOARD-ZSA is een zelfklevende naadwapening voor de voegoverbrugging wanneer afstrijkbare bekledingsmaterialen of pleisterlagen worden aangebracht op Schlüter-KERDI-BOARD.  
(Productdatablad 12.1)

**Schlüter®-KERDI-BOARD-ZSA**

Naadwapening

100 mm x 45 m Art.-No.	€ / St.	P (st.)
KB ZSA 100/45M	<b>17,05</b>	10

## Vlak profiel

**Schlüter®-KERDI-BOARD-ZFP**

Schlüter-KERDI-BOARD-ZFP is een vlak profiel uit kunststof, dat ter versterking in het U-profiel wordt gekleefd. Hierdoor hebben de bevestigingsschroeven van hang- en sluitwerk een betere greep.  
(Productdatablad 12.1)

**Schlüter®-KERDI-BOARD-ZFP**

Vlak kunststof profiel

35 mm x 2,50 m Art.-No.	€ / m	P (st.)
KB ZFP 35	<b>4,39</b>	10



# Schlüter-systemen

## Balkon- en terrasconstructies

Het Schlüter-balkonsysteem is een omvangrijk productassortiment van Schlüter-BARA-profielen voor de randafsluiting en Schlüter-BARIN-gootelementen voor de afwatering van tegel- en natuursteenbekleding op balkons en terrassen. Het systeem is afgestemd op het drainage-systeem Schlüter-TROBA, Schlüter-DITRA als ontkoppeling en contactafdichting, en de innovatieve, capillair passieve hechtende drainage Schlüter-DITRA-DRAIN.





## Overzicht balkon- en terrasconstructies

Opbouwvoorbeelden 284–287

## Contactafdichting en ontkoppeling

Schlüter®-DITRA 288

Schlüter®-KERDI 289

## Drainage

Schlüter®-DITRA-DRAIN 4 289

Schlüter®-DITRA-DRAIN 8 290

Schlüter®-TROBA-PLUS 291

Schlüter®-TROBA-PLUS-G 292

Schlüter®-TROBA 293

## Noppenplaat

Schlüter®-BEKOTEC-DRAIN 290

## Tegeldragers en plaatsingshulp

Schlüter®-TROBA-STELZ 294

Schlüter®-TROBA-LEVEL 296–298

## Drainagegoten

Schlüter®-TROBA-LINE-TL 299–300

Schlüter®-TROBA-LINE-TLR 300

Schlüter®-TROBA-LINE-TLR-E 301

## Centraal afvoerpunt

Schlüter®-KERDI-DRAIN 303–309

## Randprofielen voor gootbevestiging

Schlüter®-BARA-RTK 311

Schlüter®-BARA-RTKE 312

Schlüter®-BARA-RTKEG 313

Schlüter®-BARA-RKLT 329

Schlüter®-BARA-RTP 330

## Randprofielen

Schlüter®-BARA-RAK 315

Schlüter®-BARA-RAKE 316

Schlüter®-BARA-RAKEG 317

Schlüter®-BARA-RKK 318

Schlüter®-BARA-RW 319

Schlüter®-BARA-RKKE 320

Schlüter®-BARA-RKB 321

Schlüter®-BARA-RT 322

Schlüter®-BARA-RTC 323

Schlüter®-BARA-RK 324

Schlüter®-BARA-RWL 325

Schlüter®-BARA-RHA 325

Schlüter®-BARA-RKL 326–327

Schlüter®-BARA-RAP 328

Schlüter®-BARA-FAP 328

## Plindraagprofielen

Schlüter®-BARA-ESOT 331

## Gootsystemen

Schlüter®-BARIN-SR 332

Schlüter®-BARIN-R 333

## Toebehoren

Schlüter®-TROBA-ZFK 293

Schlüter®-TROBA-LINE-TLK-E 302

Schlüter®-TROBA-LINE-TL/H 302

Schlüter®-KERDI-DRAIN-SP-E 302

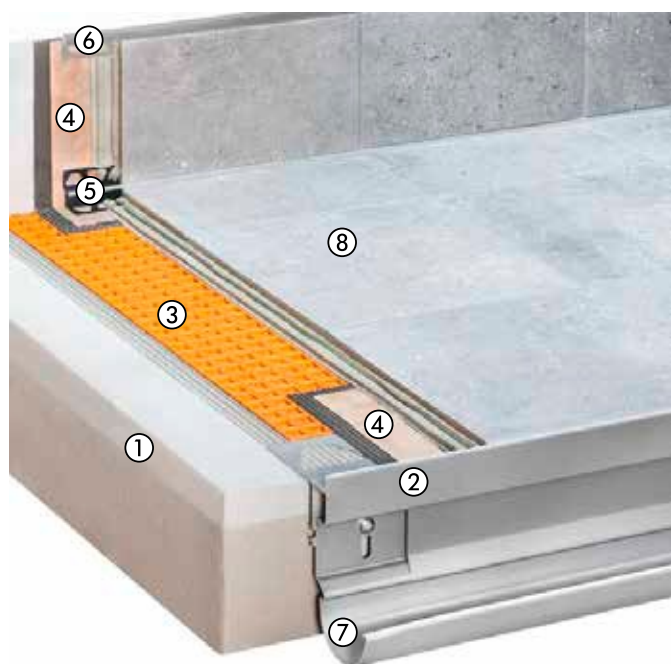
Schlüter®-BARA-HV 327

Schlüter®-BARA-STU 331



## Balkonconstructie met de contactafdichting Schlüter®-DITRA

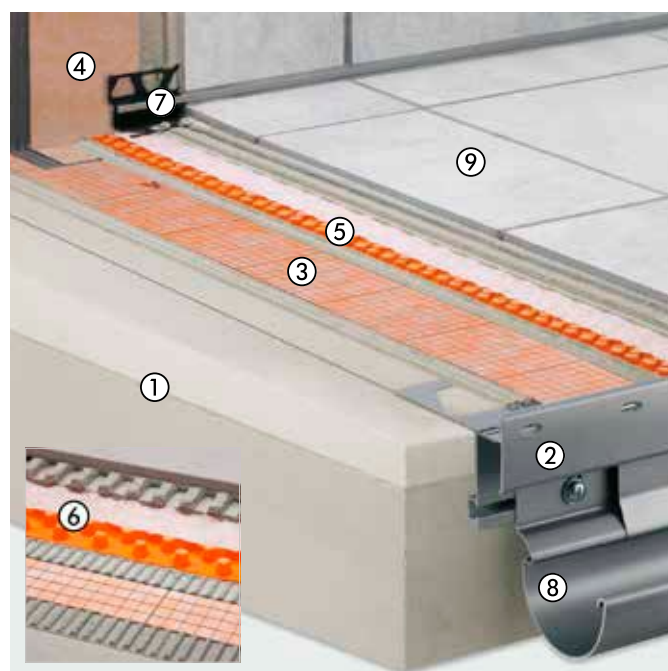
Schlüter-DITRA fungeert samen met de betegeling als afdichting. De ont koppelingsfunctie van de mat neutraliseert de spanningen tussen ondergrond en bekleding die zich voordoen als gevolg van temperatuurschommelingen. Restvochtigheid uit de ondergrond (bijv. bij een recent gelegde dekvloer) wordt via de dampdruknivelleringsfunctie van DITRA afgevoerd. Stootverbindingen en aansluitingen aan wanden en inbouwelementen worden gerealiseerd met Schlüter-KERDI-KEBA afdichtingsbanden en Schlüter-KERDI-COLL.



① Ondergrond met afschot	-
② Schlüter®-BARA-RTKEG	Pagina 313
③ Schlüter®-DITRA	Pagina 288
④ Schlüter®-KERDI-KEBA Schlüter®-KERDI-COLL	Pagina 189 Pagina 196
⑤ Schlüter®-DILEX-EKE Schlüter®-DILEX-EF Schlüter®-DILEX-EK Schlüter®-DILEX-RF	Pagina 138 Pagina 138 Pagina 140 Pagina 139
⑥ Schlüter®-RONDEC Schlüter®-JOLLY Schlüter®-QUADEC	Pagina 72 Pagina 82 Pagina 63
⑦ Schlüter®-BARIN	Pagina 332
⑧ Keramische tegels of natuursteen	-

## Balkonconstructie met de hechtende drainage Schlüter®-DITRA-DRAIN

De contactafdichting Schlüter-KERDI beschermt de draagconstructie tegen binnendringend water. Tussen de afdichting en de betegeling wordt de capillair passieve hechtende drainage- en ont koppelingsmat Schlüter-DITRA-DRAIN gelegd in dunbedmortel. Zo wordt gezorgd voor ventilatie onder het volledige bekledingsoppervlak, zodat de dunbedmortel snel en gelijkmatig droogt/uithardt. Eventuele spanningen worden geneutraliseerd door de ont koppelingsfunctie van DITRA-DRAIN.



① Ondergrond met afschot	-
② Schlüter®-BARA-RTKE	Pagina 312
③ Schlüter®-KERDI 200	Pagina 289
④ Schlüter®-KERDI-KEBA Schlüter®-KERDI-COLL	Pagina 189 Pagina 196
⑤ Schlüter®-DITRA-DRAIN 4	Pagina 289
⑥ Schlüter®-DITRA-DRAIN 8	Pagina 290
⑦ Schlüter®-DILEX-EKE Schlüter®-DILEX-EF Schlüter®-DILEX-EK Schlüter®-DILEX-RF	Pagina 138 Pagina 138 Pagina 140 Pagina 139
⑧ Schlüter®-BARIN	Pagina 332
⑨ Keramische tegels of natuursteen	-

## Dunlagige bekledingsconstructie boven afdichting volgens DIN 18531

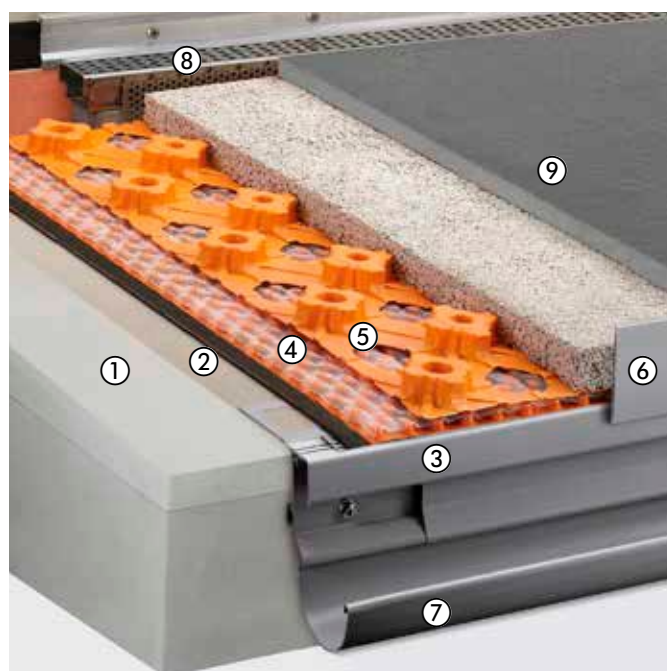
De draagconstructie wordt beschermd door een afdichting volgens DIN 18531. Tussen de afdichting en de dunlagige dekvloer Schlüter-BEKOTEC-DRAIN wordt Schlüter-TROBA-PLUS gelegd voor de drainage. De capillair passieve hechtende drainage- en ontkoppelingsmat Schlüter-DITRA-DRAIN zorgt voor ventilatie onder het volledige bekledingsoppervlak, zodat de dunbedmortel snel en gelijkmatig uithardt.



- |   |  |
|---|--|
| ① Ondergrond met afschot  | -  |
| ② Afdichting  | -  |
| ③ Schlüter®-BARA-RTK  | Pagina 311   |
| ④ Schlüter®-TROBA-PLUS  | Pagina 291   |
| ⑤ Schlüter®-BEKOTEC-DRAIN   | Pagina 290   |
| ⑥ Schlüter®-KERDI-KEBA<br>Schlüter®-KERDI-COLL  | Pagina 189<br>Pagina 196                             |
| ⑦ Schlüter®-DITRA-DRAIN 4   | Pagina 289   |
| ⑧ Schlüter®-DILEX-EKE<br>Schlüter®-DILEX-EF<br>Schlüter®-DILEX-EK<br>Schlüter®-DILEX-RF | Pagina 138<br>Pagina 138<br>Pagina 140<br>Pagina 139 |
| ⑨ Schlüter®-RONDEC<br>Schlüter®-JOLLY<br>Schlüter®-QUADEC                               | Pagina 72<br>Pagina 82<br>Pagina 63                  |
| ⑩ Schlüter®-BARA-RT   | Pagina 322   |
| ⑪ Schlüter®-BARIN   | Pagina 332   |
| ⑫ Keramische of fijn verglaasde keramische tegels                                       | -  |

## Dunlagige bekledingsconstructie in het mortelbed boven afdichting volgens DIN 18531

De draagconstructie wordt beschermd tegen binnendringend water door een afdichting volgens DIN 18531. Tussen de afdichting en de lastverdelingslaag (dekvloer) wordt de drainagemat Schlüter-TROBA-PLUS 8G gelegd om het insijpelwater af te voeren. De lastverdelingslaag uit cementmortel of drainagemortel wordt uitgevoerd in het dunlagige Schlüter-BEKOTEC-DRAIN-systeem. De natuursteen wordt nat in nat in het mortelbed gelegd.

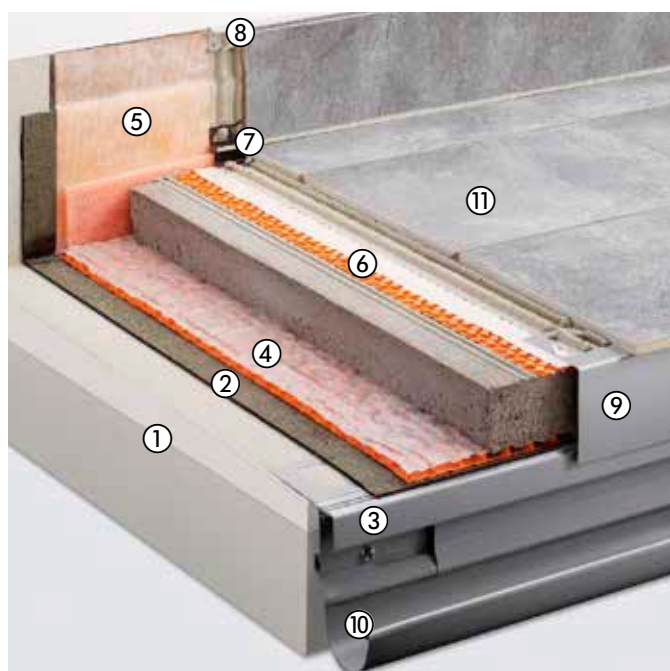


- |                                    |            |
|------------------------------------|------------|
| ① Ondergrond met afschot           | -          |
| ② Afdichting                       | -          |
| ③ Schlüter®-BARA-RTK               | Pagina 311 |
| ④ Schlüter®-TROBA-PLUS 8G          | Pagina 292 |
| ⑤ Schlüter®-BEKOTEC-DRAIN          | Pagina 290 |
| ⑥ Schlüter®-BARA-RT                | Pagina 322 |
| ⑦ Schlüter®-BARIN                  | Pagina 332 |
| ⑧ Schlüter®-TROBA-LINE-TL          | Pagina 299 |
| ⑨ Keramische tegels of natuursteen | -          |



## Bekledingsconstructie boven afdichting volgens DIN 18531

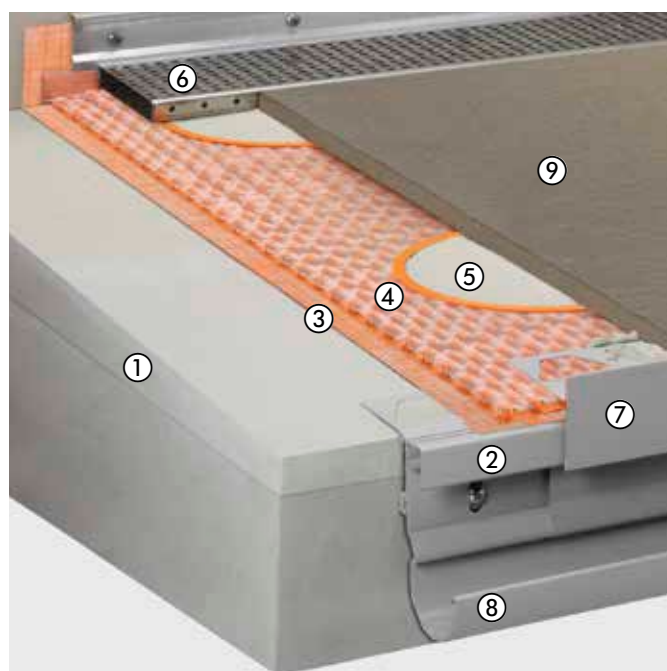
De draagconstructie wordt beschermd door een afdichting volgens DIN 18531. Tussen de afdichting en de dekvloer wordt Schlüter-TROBA-PLUS gelegd voor de drainage. De capillair passieve hech-  
tende drainage- en ontkoppelingsmat Schlüter-DITRA-DRAIN zorgt voor ventilatie onder het volledige bekledingsoppervlak, zodat de dunbedmortel snel en gelijkmatig uithardt.



①	Ondergrond met afschot	-
②	Afdichting	-
③	Schlüter®-BARA-RTK	Pagina 311
④	Schlüter®-TROBA-PLUS	Pagina 291
⑤	Schlüter®-KERDI-KEBA Schlüter®-KERDI-COLL	Pagina 189 Pagina 196
⑥	Schlüter®-DITRA-DRAIN 4 Schlüter®-DITRA-DRAIN 8	Pagina 289 Pagina 290
⑦	Schlüter®-DILEX-EKE Schlüter®-DILEX-EF Schlüter®-DILEX-EK Schlüter®-DILEX-RF	Pagina 138 Pagina 138 Pagina 140 Pagina 139
⑧	Schlüter®-RONDEC Schlüter®-JOLLY Schlüter®-QUADEC	Pagina 72 Pagina 82 Pagina 63
⑨	Schlüter®-BARA-RW	Pagina 319
⑩	Schlüter®-BARIN	Pagina 332
⑪	Keramische tegels of natuursteen	-

## Losse plaatsing op Schlüter®-TROBA-PLUS 8G

De drukstabele oppervlakedrainage Schlüter-TROBA-PLUS 8G vormt de draagkrachtige laag voor zelfdragende plaalementen en garandeert een snelle afvoer van het water dat binnendringt door de open voegen van de plaalementen via het met Schlüter-KERDI 200 gerealiseerde afdichtingsvlak. Schlüter-TROBA-STELZ-DR dienen als bekistingsringen, om gelijkmatige draagpunten uit dunbedmortel voor zelfdragende plaalementen te maken. De bekistingsringen kunnen na het aanbrengen van de dunbedmortel weer weggenomen en opnieuw gebruikt worden.

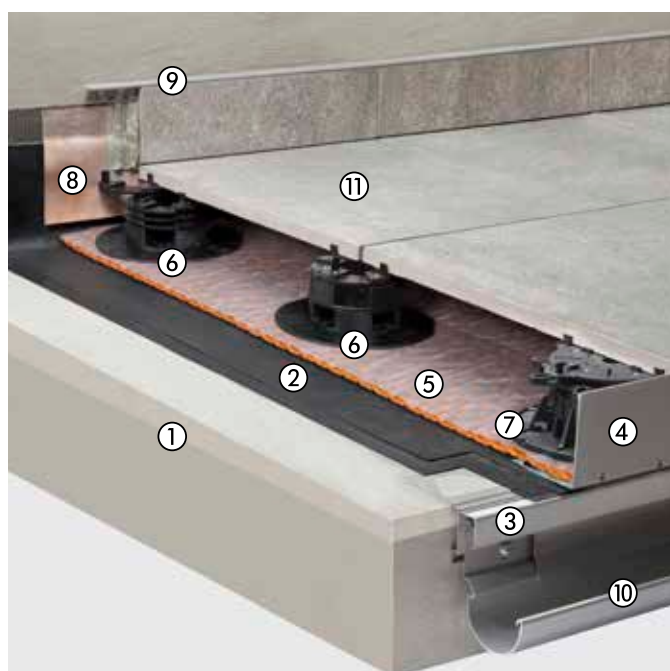


①	Ondergrond met afschot	-
②	Schlüter®-BARA-RTK	Pagina 311
③	Schlüter®-KERDI 200	Pagina 289
④	Schlüter®-TROBA-PLUS 8G	Pagina 292
⑤	Schlüter®-TROBA-STELZ-DR	Pagina 294
⑥	Schlüter®-TROBA-LINE-TL	Pagina 299
⑦	Schlüter®-BARA-RT	Pagina 322
⑧	Schlüter®-BARIN	Pagina 332
⑨	Plaalementen	-



## Bekledingsconstructie op tegeldragers

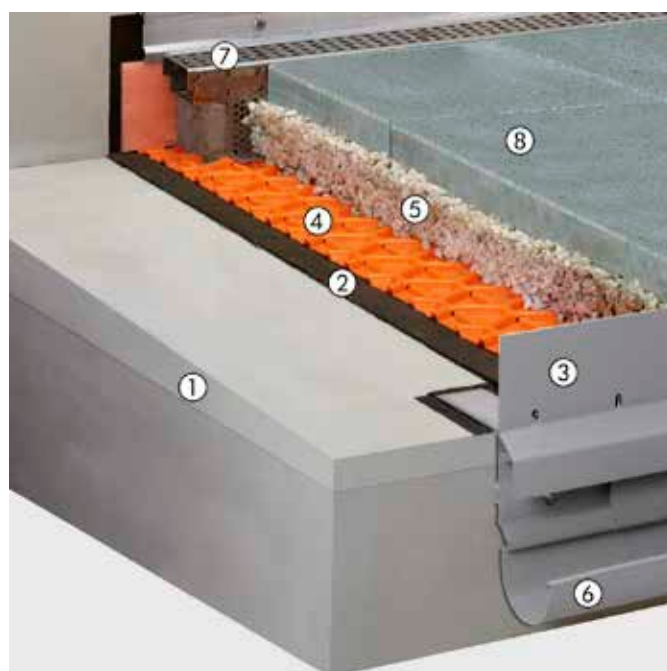
Met de variabel combineerbare Schlüter-TROBA-LEVEL tegeldragers wordt het gehele oppervlak uit zelfdragende grootformaat plaalementen op hoogte geplaatst. Afhankelijk van de bouwsituatie kan het oppervlak qua niveau en helling nauwkeurig worden afgesteld. De opbouw staat garant voor een snelle afvoer van het water dat door de open voegen binnendringt.



①	Ondergrond met afschot	-
②	Afdichting eventueel hierover oppervlakedrainage Schlüter®-TROBA-PLUS	-
③	Schlüter®-BARA-RTK	Pagina 311
④	Schlüter®-BARA-RWL	Pagina 325
⑤	Schlüter®-TROBA-PLUS	Pagina 291
⑥	Schlüter®-TROBA-LEVEL-PLA 30	Pagina 297
⑦	Schlüter®-TROBA-LEVEL-PLV 60	Pagina 297
⑧	Schlüter®-KERDI-KEBA	Pagina 189
	Schlüter®-KERDI-COLL	Pagina 196
⑨	Schlüter®-RONDEC	Pagina 72
	Schlüter®-JOLLY	Pagina 82
	Schlüter®-QUADEC	Pagina 63
⑩	Schlüter®-BARIN	Pagina 332
⑪	Plaalementen	-

## Bekledingsconstructie op kiezel-/splitbed

De oppervlakedrainage Schlüter-TROBA ligt als beschermings- en scheidingslaag over de afdichting en beschermt deze tegen het indrukken van losse steentjes. Ze voorkomt ook "betonvorst" door bevroren water op de afdichting. Verder zorgt ze voor een permanente waterafvoer dat binnendringt door de open voegen van de zelfdragende plaalementen. Belastingen worden via de raakvlakken van de trapeziumvormige noppen direct overgedragen op de afgedichte ondergrond.



①	Ondergrond met afschot	-
②	Afdichting	-
③	Schlüter®-BARA-RKLT	Pagina 329
④	Schlüter®-TROBA	Pagina 293
⑤	Kiezel- of splitbed	-
⑥	Schlüter®-BARIN	Pagina 332
⑦	Schlüter®-TROBA-LINE-TL	Pagina 299
⑧	Plaalementen	-



# Vaste plaatsing

## Met afdichting en ont koppeling

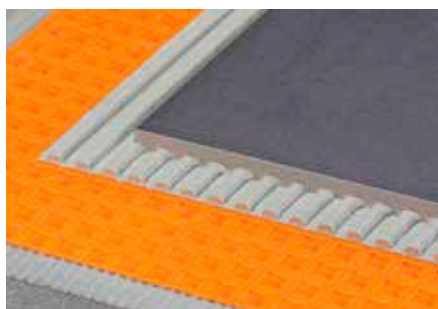
Vanwege de extreme weersomstandigheden zijn de afdichting en de ont koppeling van niet los geplaatste tegelbekledingen op balkons en terrassen van essentieel belang. Met Schlüter-DITRA en Schlüter-DITRA-DRAIN biedt Schlüter-Systems systeemoplossingen, waardoor de tegelbekleding zich vrij van de ondergrond kan bewegen en zo spanningen in de constructie worden vermeden. Deze systemen worden al jaren wereldwijd in buitentoepassingen succesvol gebruikt.



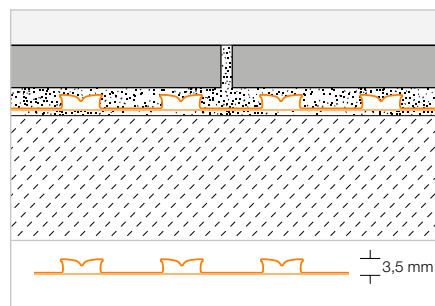
Afbeelding: Ströher GmbH

### Ontkoppeling

## Schlüter®-DITRA



Schlüter-DITRA is een polypropyleenmat met zwaluwstaartvormige, kwadratisch verdiepte oppervlakken met een Easyfill-design, die aan de achterzijde is voorzien van een dragende vlieslaag. Het vormt een universele ondergrond voor tegelbekledingen als ont koppelingslaag, contactafdichting en dampdrukniervellingslaag. (Productdatablad 6.1)



### Schlüter®-DITRA

Polypropyleen op rol

L x B = m <sup>2</sup>	Art.-No.	€ / m <sup>2</sup>	PL (rol)
5,1 x 0,995 = 5	D 5M	<b>23,18</b>	22
30,2 x 0,995 = 30	D 30M	<b>19,21</b>	6

#### Tip gereedschap:

Schlüter-TROWEL, vertanding 4 x 4, zie pagina 336.



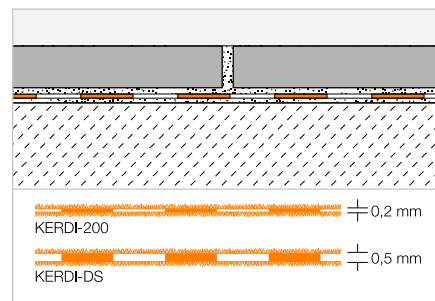
## Contactafdichting

## Schlüter®-KERDI



Schlüter-KERDI is een polyethyleen afdichtingsmat die voor de verankering in de tegel-lijm aan beide zijden van een vliesweefsel is voorzien. Deze mat is met name geschikt voor afdichtingen in buitentoepassingen onder een oppervlakedrainage met Schlüter-TROBA-PLUS of hechtende drainage Schlüter-DITRA-DRAIN.

(Productdatablad 8.1)



## Schlüter®-KERDI 200

Polyethyleen op rol

L (m)	m <sup>2</sup>	Breedte = 1,00 m Art.-No.	€ / m <sup>2</sup>	PL (rol)
5	5	KERDI 200 / 5M	<b>23,93</b>	75
10	10	KERDI 200 / 10M	<b>21,60</b>	50
30	30	KERDI 200	<b>19,66</b>	20
<b>Breedte = 1,50 m</b>				
20	30	KERDI 200 150 / 20M	<b>19,66</b>	20
<b>Breedte = 2,00 m</b>				
15	30	KERDI 200 200 / 15M	<b>19,66</b>	20

## Schlüter®-KERDI-DS

Polyethyleen-dampscherm, op rol

L (m)	Breedte = 1,00 m Art.-No.	€ / m <sup>2</sup>	PL (rol)
30	KERDI-DS	<b>22,70</b>	25

## Tip gereedschap:

Schlüter-TROWEL, vertanding 4 x 4, zie pagina 336.

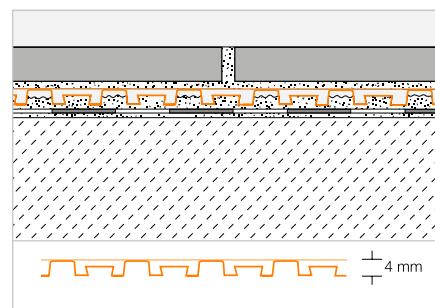
## Hechtende drainage

## Schlüter®-DITRA-DRAIN 4



Schlüter-DITRA-DRAIN 4 is een vormvaste polyethyleenfolie met aan de onderzijde een speciale noppenstructuur en aan de bovenzijde een opgelijmd filtervlies uit polypropyleen. Het vormt een universele ondergrond voor tegelbekleding als ontkoppellingslaag en duurzaam functionele, capillair passieve hechtende drainage.

(Productdatablad 6.2)



## Schlüter®-DITRA-DRAIN 4

Polyethyleen op rol

L (m)	Breedte = 1,00 m Art.-No.	€ / m <sup>2</sup>	PL (rol)
10	DITRA-DRAIN 10M	<b>24,19</b>	12
25	DITRA-DRAIN 25M	<b>21,83</b>	6

## Schlüter®-DITRA-DRAIN-STU

Zelfklevende naadafdekband

L (m)	Breedte = 90 mm Art.-No.	€ / m	P (st.)
5	STUV KB 90/ 5M	<b>8,16</b>	10
30	STUV KB 90/30M	<b>7,22</b>	10



## Tip gereedschap:

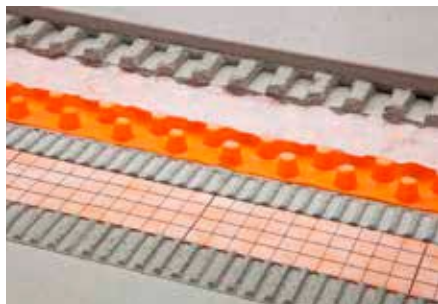
Schlüter-TROWEL, vertanding 6 x 6, zie pagina 336.





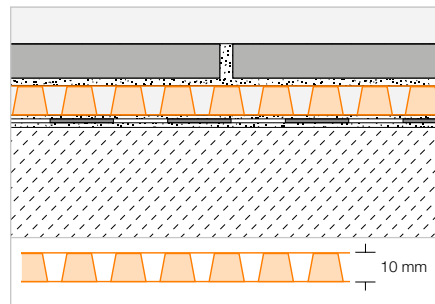
## Hechtende drainage

### Schlüter®-DITRA-DRAIN 8



Schlüter-DITRA-DRAIN 8 is een vormvaste polyethyleenfolie met een enkelzijdig uitgewerkte speciale noppenstructuur. Hij is aan de onderzijde voorzien van een vlies voor de verankering in de tegellijm en aan de bovenzijde van een speciaal filtervlies. Schlüter-DITRA-DRAIN 8 is een universele ondergrond voor tegelbekledingen als ontkoppelingslaag en duurzaam functionele, capillair passieve hechtende drainage.

(Productdatablad 6.2)



#### Schlüter®-DITRA-DRAIN 8

Polyethyleen op rol

L (m)	Breedte = 1,00 m Art.-No.	€ / m <sup>2</sup>	PL (rol)
12,5	DITRA-DRAIN 8 12M	23,18	6

#### Schlüter®-DITRA-DRAIN-STU

Zelfklevende naadafdekbands

L (m)	Breedte = 90 mm Art.-No.	€ / m	P (st.)
5	STUV KB 90/ 5M	8,16	10
30	STUV KB 90/30M	7,22	10

#### Tip gereedschap:

Schlüter-TROWEL, vertanding 4 x 4, zie pagina 336.

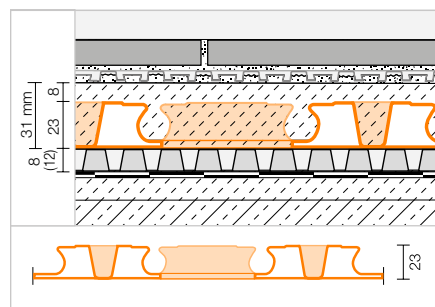
## Noppenplaat

### Schlüter®-BEKOTEC-DRAIN



Schlüter-BEKOTEC-DRAIN is een betrouwbare en bijzonder dunlagige bekledingsconstructietechniek als systeem voor barstvrije en juist functionerende zwevende dekvloeren in buitentoepassingen bekleed met keramiek of natuursteen bijv. in combinatie met TROBA-PLUS.

(Productdatablad 9.3)



#### Schlüter®-BEKOTEC-EN 23 FD

Systeemplaat

120 x 90 cm = 1,08 m <sup>2</sup> Art.-No.	€ / m <sup>2</sup>	P (st.)
EN 23 FD	20,86	20





# Schlüter®-TROBA-PLUS

Snel gelegd – hoog belastbaar



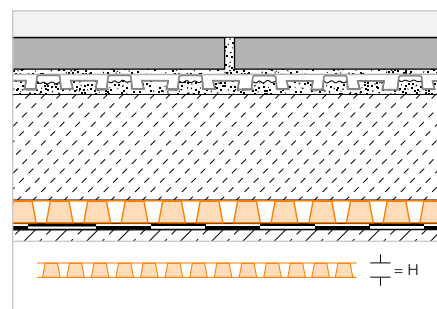
- ✓ Oppervlakedrainage voor buitenbekledingen
- ✓ Capillair passieve drainage
- ✓ Optillen van de hele bekledingsconstructie met 8 of 12 mm
- ✓ Lastverdeling over het hele vlak, tot 39 t/m<sup>2</sup>

## Drainage

### Schlüter®-TROBA-PLUS



Schlüter-TROBA-PLUS is een capillair neutraliserende oppervlakedrainage die op een duurzame en efficiënte wijze insijpelwater afvoert. De dicht bij elkaar staande noppen hebben de vorm van stompe kegels. Ze zijn bestand tegen hoge belastingen en bedekt met een waterdoorlatend vlies. Ze tillen de volledige bekledingsconstructie op en vormen zo een ononderbroken drainageruimte. (Productdatablad 7.2)



#### Schlüter®-TROBA-PLUS 8

Polyethyleen op rol

H (mm)	12,5 x 1 m = 12,5 m <sup>2</sup> Art.-No.	€ / m <sup>2</sup>	PL (rol)
8	TROBA-PLUS 8	20,22	6

#### Schlüter®-TROBA-PLUS 12

Polyethyleen op rol

H (mm)	10 x 1 m = 10 m <sup>2</sup> Art.-No.	€ / m <sup>2</sup>	PL (rol)
12	TROBA-PLUS 12	22,32	6

#### Schlüter®-DITRA-DRAIN-STU

Zelfklevende naadafdekbands

L (m)	Breedte = 90 mm Art.-No.	€ / m	P (st.)
5	STUV KB 90/ 5M	8,16	10
30	STUV KB 90/30M	7,22	10

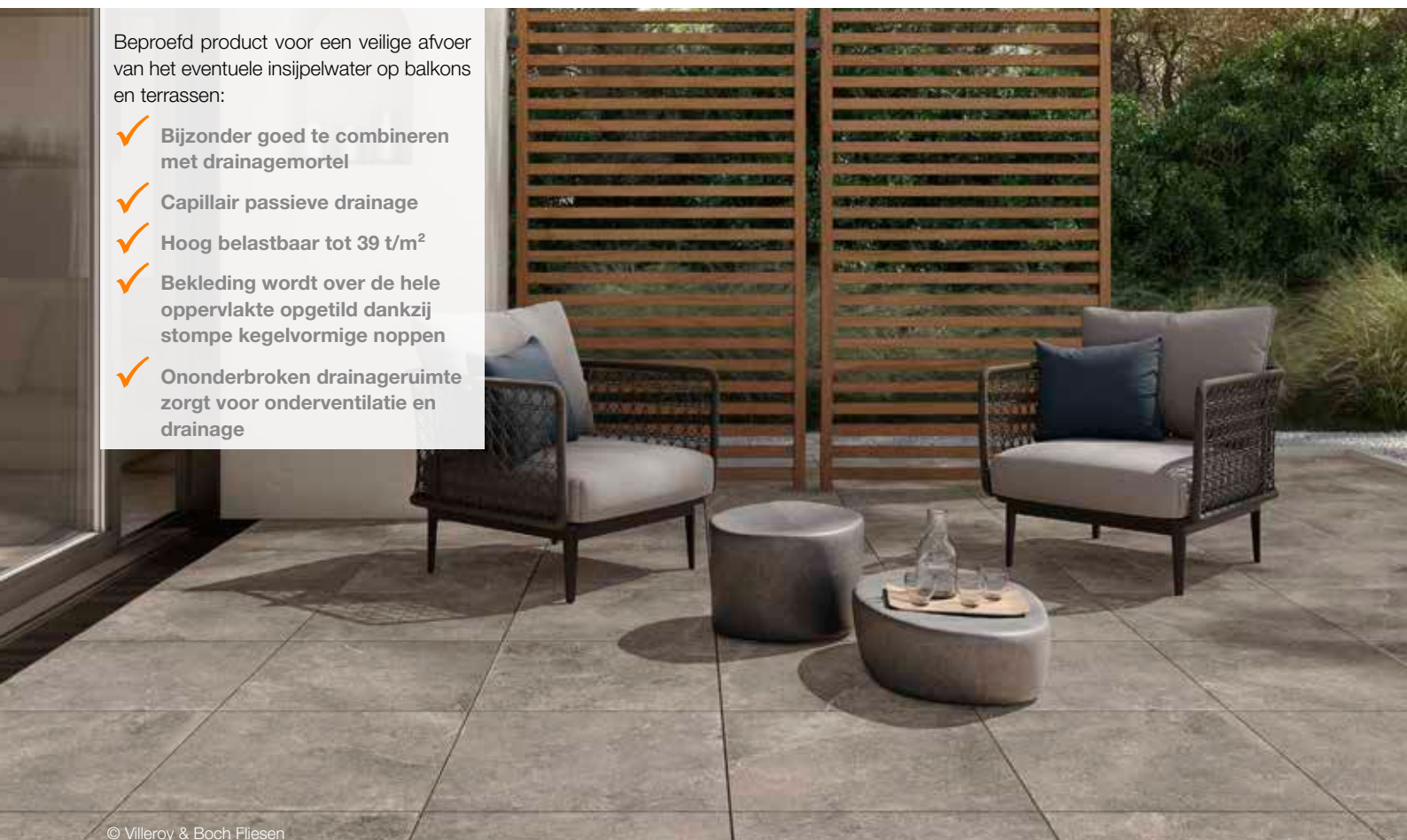


# Schlüter®-TROBA-PLUS-G

## Capillair passieve drainage

Beproefd product voor een veilige afvoer van het eventuele insijpelwater op balkons en terrassen:

- ✓ Bijzonder goed te combineren met drainagemortel
- ✓ Capillair passieve drainage
- ✓ Hoog belastbaar tot 39 t/m<sup>2</sup>
- ✓ Bekleding wordt over de hele oppervlakte opgetild dankzij stompe kegelvormige noppen
- ✓ Ononderbroken drainage ruimte zorgt voor onderventilatie en drainage



© Villeroy & Boch Fliesen

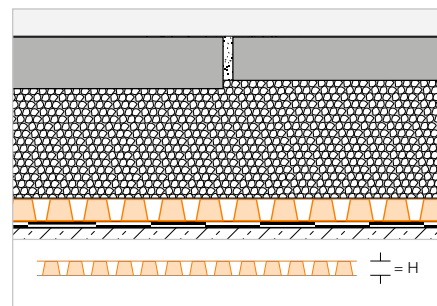
### Drainage

## Schlüter®-TROBA-PLUS-G



Schlüter-TROBA-PLUS-G is een capillair neutraliserende oppervlakedrainage die op een duurzame en efficiënte wijze insijpelwater afvoert. De dicht bij elkaar staande noppen hebben de vorm van stompe kegels. Ze zijn bestand tegen hoge belastingen en bedekt met een waterdoorlatend gaas. Ze tillen de volledige bekledingsconstructie op en vormen zo een ononderbroken drainage ruimte. Schlüter-TROBA-PLUS 8G is bijzonder goed geschikt voor de combinatie met drainagedekvloeren.

(Productdatablad 7.2)



### Schlüter®-TROBA-PLUS 8G

Polyethyleen op rol

H (mm)	12,5 x 1 m = 12,5 m <sup>2</sup> Art.-No.	€ / m <sup>2</sup>	PL (rol)
8	TROBA-PLUS 8G	23,61	6

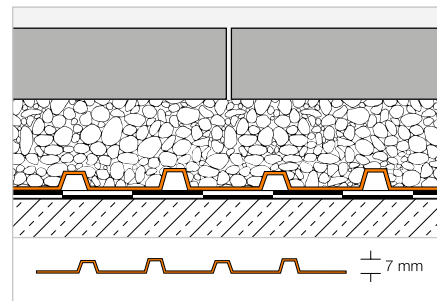


## Drainage

## Schlüter®-TROBA



Schlüter-TROBA is een scheidings- en beschermlaag voor afdichtingssystemen die onder bekledingen in het grind- of splitbed worden gelegd. Ze bestaat uit een gestructureerde, drukstabele polyethyleenfolie met zijdelingse openingen waarlangs boven het afdichtingsvlak insijpelwater kan wegvloeien. Ingeval van een lastverdelingslaag uit dekvloer moet daarop Schlüter-DITRA als afdichtings- en ontkoppellingslaag worden gelegd. (Productdatablad 7.1)



## Schlüter®-TROBA-MA

Polyethyleen mat

1 x 1 m = 1 m <sup>2</sup> Art.-No.	€ / m <sup>2</sup>	PL (st.)
TROBA-MA	18,49	220

## Schlüter®-TROBA-RO

Polyethyleen op rol

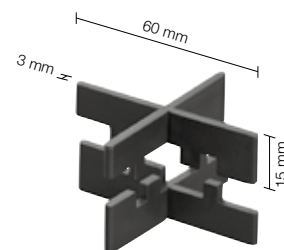
20 x 1 m = 20 m <sup>2</sup> Art.-No.	€ / m <sup>2</sup>	PL (rol)
TROBA-RO	17,93	6

## Voegkruisje

## Schlüter®-TROBA-ZFK



Schlüter-TROBA-ZFK zijn voegkruisjes voor een constant voegenbeeld bij losse plaatsing van keramische tegels, natuursteen of betontegels in een grind- of splitbed, bijv. op Schlüter-TROBA. De voegbreedte bedraagt 3 mm, de hoogte van de kruisjes 15 mm. Door de voegkruisjes op elkaar te plaatsen kan een hoogte van 30 mm worden bereikt. (Productdatablad 7.6)



## Schlüter®-TROBA-ZFK

Voegkruisje (3 mm)

H (mm)	Art.-No.	€ / Pakket	P (pakket)
15	TZ FK 3	19,02	60

Pakket = 50 St.

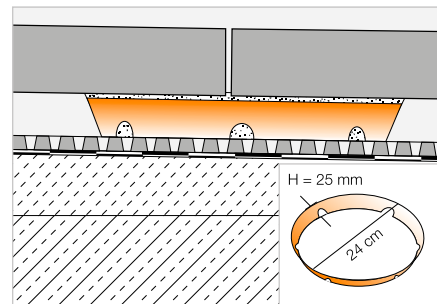


## Tegeldragers

### Schlüter®-TROBA-STELZ-MR



Schlüter-TROBA-STELZ-MR zijn kunststofringen die fungeren als hulpmiddel bij het leggen van grootformaat plaalementen op balkons en terrassen. De 25 mm hoge kunststofringen worden onder de kruispunten van de plaalementen geplaatst en daarop worden dan de plaalementen gelegd.  
(Productdatablad 7.3)



#### Schlüter®-TROBA-STELZ-MR

Kunststofring

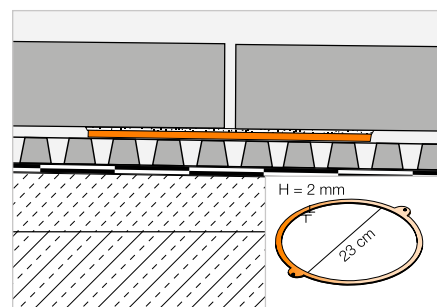
Art.-No.	€ / St.	PL (st.)
TROBA-STELZ	1,48	3000

Pakket = 50 St.

### Schlüter®-TROBA-STELZ-DR



Schlüter-TROBA-STELZ-DR zijn bekistingsringen voor dunbedmortel op Schlüter-TROBA-PLUS 8G. Na het smeren van de dunbedmortel kan men de ringen ofwel als verloren bekisting laten liggen of ze wegnemen en hergebruiken.  
(Productdatablad 7.5)



#### Schlüter®-TROBA-STELZ-DR

Kunststofring

Art.-No.	€ / Pakket	P (pakket)
TROBA-STELZ-DR	11,93	100

Pakket = 10 St.



# Grote formaten

## Goed uitgerust systeem

Grote formaten in 2 cm dikte worden steeds meer toegepast op balkons en terrassen. Los geplaatst met open voegen. Bij Schlüter-Systems vindt u het juiste materiaal voor losse plaatsing in buitentoepassing. Bijvoorbeeld Schlüter-TROBA-LEVEL (zie vanaf pagina 296), Schlüter-TROBA-PLUS 8G (zie pagina 292) en Schlüter-TROBA-STELZ-DR (zie pagina 294) en Schlüter-BARA-RKL (zie pagina 326).







# Schlüter®-TROBA-LEVEL

Losse plaatsing – op de millimeter nauwkeurig en betrouwbaar



Met Schlüter-TROBA-LEVEL kunt u zelfdragende plaalementen op balkons en terrassen snel, nauwkeurig en stevig plaatsen. De productcomponenten kunnen onderling gecombineerd worden, zodat nagenoeg elke helling en bouwsituatie op een betrouwbare wijze genivelleerd kan worden. En dat voor opbouwhoogtes vanaf 3 mm!

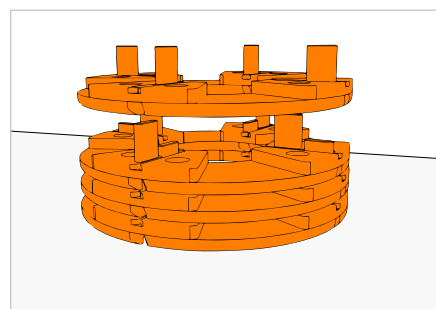
- ✓ Voor het nivelleren van oneffenheden, bijv. lasnaden
- ✓ “Wankelvrije” plaatsing door op de mm nauwkeurige nivellering
- ✓ Uitdraaibescherming
- ✓ Trillingsrem – voorkomt verdraaien bij schokken

## Tegeldragers

### Schlüter®-TROBA-LEVEL-PL 10



Schlüter-TROBA-LEVEL-PL 10 zijn stapelbare tegeldragers, waarmee plaalementen, ongeacht de afmeting en dikte, op hoogte geplaatst kunnen worden. Ze zijn gemaakt van een speciaal, geluidsreducerende kunststof en kunnen direct op de afdichting worden geplaatst. De 3 mm dikke voegribben maken een homogeen voegraster mogelijk en kunnen horizontale bewegingen in de bekleding opnemen. TROBA-LEVEL-PL 10 kunnen tot een hoogte van 200 mm op elkaar worden geplaatst en zijn te combineren met andere tegeldragers uit de productserie. (Productdatablad 7.6)



#### Schlüter®-TROBA-LEVEL-PL 10

PE-tegeldrager Ø 120 mm

H (mm)	Art.-No.	€ / St.	P (st.)
10	TL PL 10	3,14	100

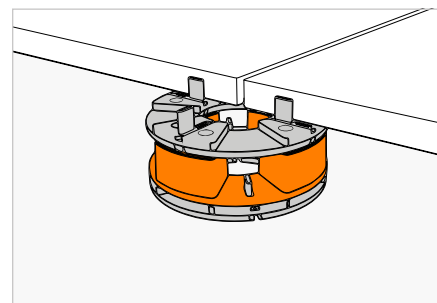
## Tegeldragers

## Schlüter®-TROBA-LEVEL-PLA 30



Schlüter-TROBA-LEVEL-PLA 30 zijn vulstukken voor verhoogde opbouw van plaatelmente. Bij een opbouwhoogte vanaf 50 mm kunnen er een of meerdere TROBA-LEVEL-PLA 30 adapters tussen twee Schlüter-TROBA-LEVEL-PL 10 tegeldragers worden geplaatst. TROBA-LEVEL-PLA 30 kunnen tot een hoogte van 300 mm op elkaar worden geplaatst en zijn te combineren met TROBA-LEVEL-PLV 60 en TROBA-LEVEL-LV 3 tegeldragers.

(Productdatablad 7.6)



## Schlüter®-TROBA-LEVEL-PLA 30

PE-adapter Ø 120 mm

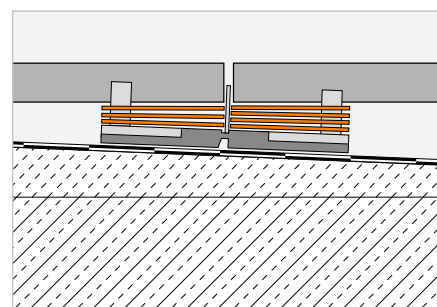
H (mm)	Art.-No.	€ / St.	P (st.)
30	TL PLA 30	3,80	52

## Schlüter®-TROBA-LEVEL-AP 1



Schlüter-TROBA-LEVEL-AP 1 nivelleerplaatjes dienen om plaatelmente in verschillende hoogtesituaties nauwkeurig af te stemmen. Afwijkende tegeldiktes, oneffenheden in de ondergrond of lichte hoogteverschillen kunnen tot 10 mm per tegelhoek worden genivelleerd.

(Productdatablad 7.6)



## Schlüter®-TROBA-LEVEL-AP 1

PP-nivelleerplaatjes, kwartrond

H (mm)	Art.-No.	€ / Pakket	P (pakket)
1	TL AP 1	41,21	8

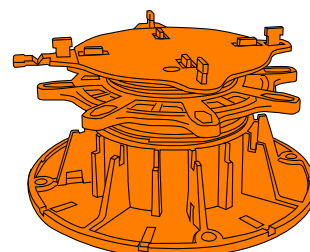
Pakket = 250 St.

## Schlüter®-TROBA-LEVEL-PLV 60



Schlüter-TROBA-LEVEL-PLV 60 is een draai-bare tegeldrager, die met een versteling en twee in tegengestelde richtingen draaiende schroefdraden tussen 60 en 130 mm kan worden afgesteld. Vanwege de identieke tegelopname aan de bovenzijde (Ø 120 mm) is individueel stapelen in combinatie met TROBA-LEVEL-PL 10 en -PLA 30 mogelijk. Indien nodig, is een nauwkeurige afstemming en hoogtenivellering mogelijk met de TROBA-LEVEL-AP 1 nivelleerplaatjes. Er kunnen twee of meer TROBA-LEVEL-PLV 60 op elkaar worden geplaatst om een opbouwhoogte van maximaal 520 mm te verkrijgen. Op de tegeldrager zijn 3 mm dikke voegribben geplaatst en tevens een extra randafstandshouder.

(Productdatablad 7.6)



## Schlüter®-TROBA-LEVEL-PLV 60

PP-tegeldrager Ø bodemplaat 200 mm

H (mm)	Art.-No.	€ / St.	P (st.)
60-130	TL PLV 60	12,18	48

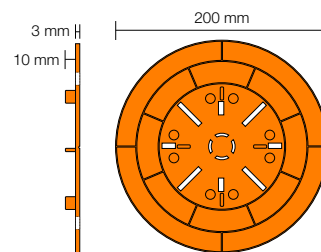


## Tegeldragers

### Schlüter®-TROBA-LEVEL-LV 3



Schlüter-TROBA-LEVEL-LV 3 zijn lastverdelende tegeldragers die in combinatie met TROBA-LEVEL-PL 10, -PLA 30 en -AP 1 worden gebruikt. Met deze tegeldrager is ook een dunne opbouwhoogte mogelijk. TROBA-LEVEL-LV 3 kan worden doorsneden en heeft 3 mm dikke voegribben. (Productdatablad 7.6)



#### Schlüter®-TROBA-LEVEL-LV 3

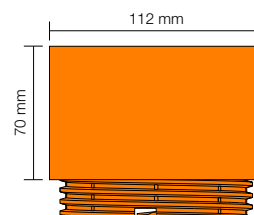
PP-tegeldrager Ø 200 mm

H (mm)	Art.-No.	€ / St.	P (st.)
3	TL LV 3	5,06	100

### Schlüter®-TROBA-LEVEL-PLA 70



Schlüter-TROBA-LEVEL-PLA 70 zijn vulstukken voor verhoogde opbouw van plaat-elementen. Ze worden in de bodemplaat van de tegeldrager TROBA-LEVEL-PLV 60 vastgeschroefd. (Productdatablad 7.6)



#### Schlüter®-TROBA-LEVEL-PLA 70

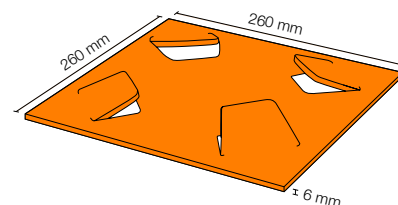
PP-adapter

H (mm)	Art.-No.	€ / St.	P (st.)
70	TL PLA 70	7,73	30

### Schlüter®-TROBA-LEVEL-PLS 6



Schlüter-TROBA-LEVEL-PLS 6 zijn beschermers van rubbergranulaat ter bescherming van de afdichting. De bodemplaat van TROBA-LEVEL-PLV 60 of tegeldrager TROBA-LEVEL-LV 3 wordt in de inkepingen van de TROBA-LEVEL-PLS 6 beschermer (6 mm) vastgezet. Bij PVC-afdichtingen moet de aluminium scheidingslaag van de beschermer aan de onderzijde worden geplaatst. Als TROBA-LEVEL-PL 10 wordt gebruikt, moet deze in het midden van de beschermer worden geplaatst. (Productdatablad 7.6)



#### Schlüter®-TROBA-LEVEL-PLS 6

Rubbergranulaat

H (mm)	Art.-No.	€ / Pakket	P (pakket)
6	TL PLS 6	32,33	5

Pakket = 10 St.

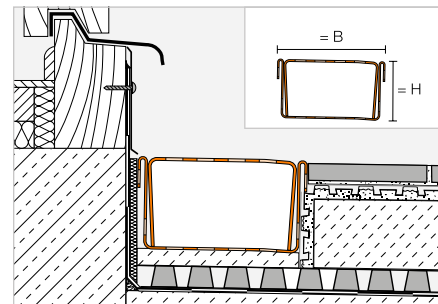


## Drainagegoot | Versteving

## Schlüter®-TROBA-LINE-TL



Schlüter-TROBA-LINE-TL is een roestvaststaalen drainagegoot die bij geringe aansluithoogten naar deurkozijnen op balkons en terrassen kan worden ingebouwd om opstuwend water te voorkomen. Kan ook als oppervlaktedrainagegoot worden gebruikt.  
(Productdatablad 7.4)



## Schlüter®-TROBA-LINE-TL

Roestvast staal V2A, goot geperforeerd,  
B = 75 mm

H (mm)	L = 2,00 m Art.-No.	€ / St.	KV (st.)
20	TL2 V2A 75/200	<b>233,91</b>	60
40	TL4 V2A 75/200	<b>278,51</b>	60
L = 1,50 m			
20	TL2 V2A 75/150	<b>180,63</b>	60
40	TL4 V2A 75/150	<b>214,12</b>	60
L = 1,00 m			
20	TL2 V2A 75/100	<b>127,37</b>	60
40	TL4 V2A 75/100	<b>149,70</b>	60
L = 0,75 m			
20	TL2 V2A 75/ 75	<b>100,74</b>	60
40	TL4 V2A 75/ 75	<b>117,47</b>	60

## Schlüter®-TROBA-LINE-TL

Roestvast staal V2A, goot geperforeerd,  
B = 110 mm

H (mm)	L = 2,00 m Art.-No.	€ / St.	KV (st.)
20	TL2 V2A 110/200	<b>275,46</b>	40
40	TL4 V2A 110/200	<b>320,06</b>	40
L = 1,50 m			
20	TL2 V2A 110/150	<b>211,85</b>	40
40	TL4 V2A 110/150	<b>245,29</b>	40
L = 1,00 m			
20	TL2 V2A 110/100	<b>148,18</b>	40
40	TL4 V2A 110/100	<b>170,49</b>	40
L = 0,75 m			
20	TL2 V2A 110/ 75	<b>116,36</b>	40
40	TL4 V2A 110/ 75	<b>133,07</b>	40

## Schlüter®-TROBA-LINE-TL

Roestvast staal V2A, goot geperforeerd,  
B = 160 mm

H (mm)	L = 2,00 m Art.-No.	€ / St.	KV (st.)
20	TL2 V2A 160/200	<b>336,77</b>	40
40	TL4 V2A 160/200	<b>381,37</b>	40
L = 1,50 m			
20	TL2 V2A 160/150	<b>257,81</b>	40
40	TL4 V2A 160/150	<b>291,22</b>	40
L = 1,00 m			
20	TL2 V2A 160/100	<b>178,82</b>	40
40	TL4 V2A 160/100	<b>201,09</b>	40
L = 0,75 m			
20	TL2 V2A 160/ 75	<b>139,34</b>	40
40	TL4 V2A 160/ 75	<b>156,07</b>	40

## Schlüter®-TROBA-LINE-TLG

Roestvast staal V2A, goot gesloten,  
B = 75 mm

H (mm)	L = 2,00 m Art.-No.	€ / St.	KV (st.)
20	TLG2 V2A 75/200	<b>233,91</b>	60
40	TLG4 V2A 75/200	<b>278,51</b>	60
L = 1,50 m			
20	TLG2 V2A 75/150	<b>180,63</b>	60
40	TLG4 V2A 75/150	<b>214,12</b>	60
L = 1,00 m			
20	TLG2 V2A 75/100	<b>127,37</b>	60
40	TLG4 V2A 75/100	<b>149,70</b>	60
L = 0,75 m			
20	TLG2 V2A 75/ 75	<b>100,74</b>	60
40	TLG4 V2A 75/ 75	<b>117,47</b>	60

## Schlüter®-TROBA-LINE-TLG

Roestvast staal V2A, goot gesloten,  
B = 110 mm

H (mm)	L = 2,00 m Art.-No.	€ / St.	KV (st.)
20	TLG2 V2A 110/200	<b>275,46</b>	40
40	TLG4 V2A 110/200	<b>320,06</b>	40
L = 1,50 m			
20	TLG2 V2A 110/150	<b>211,85</b>	40
40	TLG4 V2A 110/150	<b>245,29</b>	40
L = 1,00 m			
20	TLG2 V2A 110/100	<b>148,18</b>	40
40	TLG4 V2A 110/100	<b>170,49</b>	40
L = 0,75 m			
20	TLG2 V2A 110/ 75	<b>116,36</b>	40
40	TLG4 V2A 110/ 75	<b>133,07</b>	40

## Schlüter®-TROBA-LINE-TLG

Roestvast staal V2A, goot gesloten,  
B = 160 mm

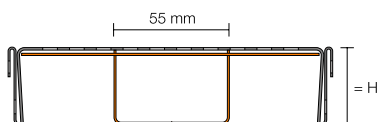
H (mm)	L = 2,00 m Art.-No.	€ / St.	KV (st.)
20	TLG2 V2A 160/200	<b>336,77</b>	40
40	TLG4 V2A 160/200	<b>381,37</b>	40
L = 1,50 m			
20	TLG2 V2A 160/150	<b>257,81</b>	40
40	TLG4 V2A 160/150	<b>291,22</b>	40
L = 1,00 m			
20	TLG2 V2A 160/100	<b>178,82</b>	40
40	TLG4 V2A 160/100	<b>201,09</b>	40
L = 0,75 m			
20	TLG2 V2A 160/ 75	<b>139,34</b>	40
40	TLG4 V2A 160/ 75	<b>156,07</b>	40



### Schlüter®-TROBA-LINE-TL/V

Verstevigingselement voor TL en TLG roestvast staal V2A

H (mm)	L = 2,00 m Art.-No.	€ / St.	KV (st.)
20	TL2 V / 200	<b>106,99</b>	60
40	TL4 V / 200	<b>133,34</b>	60
	L = 1,50 m		
20	TL2 V / 150	<b>80,25</b>	60
40	TL4 V / 150	<b>99,99</b>	60



### Schlüter®-TROBA-LINE-TL/V

Verstevigingselement voor TL en TLG roestvast staal V2A

H (mm)	L = 1,00 m Art.-No.	€ / St.	KV (st.)
20	TL2 V / 100	<b>53,46</b>	60
40	TL4 V / 100	<b>66,71</b>	60
	L = 0,75 m		
20	TL2 V / 75	<b>40,09</b>	60
40	TL4 V / 75	<b>49,99</b>	60

### Opmerking:

Bij elke Schlüter-TROBA-LINE-TL-drainagegoot zijn twee eindstukken / verbindingstukken verpakt.

Bij hogere belastingen, bijv. door voetgangers- of rolstoelverkeer, is het bij de breedten 110 en 160 mm aan te bevelen het verstevigingselement Schlüter-TROBA-LINE-TL/V mee in te bouwen (apart te bestellen).

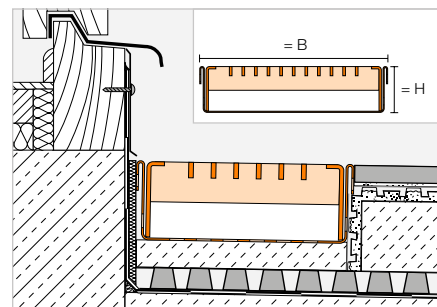
## Drainagegoot

### Schlüter®-TROBA-LINE-TLR



Schlüter-TROBA-LINE-TLR is een drainagegoot uit twee delen. Het onderste deel is van roestvast staal, het bovenste – een drainage-rooster – is van verzinkt staal. De goot kan bij lage aansluithoogten aan deurelementen op balkons en terrassen worden ingewerkt om opstuwend water te voorkomen. Ze kan ook als een intensief belastbare oppervlaktedrainagegoot worden gebruikt.

(Productdatablad 7.4)



### Schlüter®-TROBA-LINE-TLR

Goot geperforeerd, rooster verzinkt, B = 110 mm

H (mm)	L = 2,00 m Art.-No.	€ / St.	KV (st.)
20	TL2 R 110/200	<b>286,88</b>	40
40	TL4 R 110/200	<b>410,68</b>	40
	L = 1,50 m		
20	TL2 R 110/150	<b>238,35</b>	40
40	TL4 R 110/150	<b>349,40</b>	40
	L = 1,00 m		
20	TL2 R 110/100	<b>153,84</b>	40
40	TL4 R 110/100	<b>215,78</b>	40
	L = 0,75 m		
20	TL2 R 110/ 75	<b>129,60</b>	40
40	TL4 R 110/ 75	<b>185,16</b>	40

### Schlüter®-TROBA-LINE-TLR

Goot geperforeerd, rooster verzinkt, B = 160 mm

H (mm)	L = 2,00 m Art.-No.	€ / St.	KV (st.)
20	TL2 R 160/200	<b>348,12</b>	40
40	TL4 R 160/200	<b>468,09</b>	40
	L = 1,50 m		
20	TL2 R 160/150	<b>289,63</b>	40
40	TL4 R 160/150	<b>397,81</b>	40
	L = 1,00 m		
20	TL2 R 160/100	<b>184,50</b>	40
40	TL4 R 160/100	<b>244,50</b>	40
	L = 0,75 m		
20	TL2 R 160/ 75	<b>155,24</b>	40
40	TL4 R 160/ 75	<b>209,31</b>	40

### Opmerking:

Bij elke TROBA-LINE-TLR-drainagegoot zijn twee eindstukken / verbindingstukken verpakt.

Het rooster van TROBA-LINE-TLR in de lengtes 1,50 m en 2,00 m bestaat uit telkens 2 delen (2 x 0,75 m of 2 x 1,00 m).

### Schlüter®-TROBA-LINE-TLGR

Goot gesloten, rooster verzinkt, B = 110 mm

H (mm)	L = 2,00 m Art.-No.	€ / St.	KV (st.)
40	TLG4 R 110/200	<b>410,68</b>	40
	L = 1,50 m		
40	TLG4 R 110/150	<b>284,58</b>	40
	L = 1,00 m		
40	TLG4 R 110/100	<b>215,78</b>	40
	L = 0,75 m		
40	TLG4 R 110/ 75	<b>152,69</b>	40

### Schlüter®-TROBA-LINE-TLGR

Goot gesloten, rooster verzinkt, B = 160 mm

H (mm)	L = 2,00 m Art.-No.	€ / St.	KV (st.)
40	TLG4 R 160/200	<b>468,09</b>	40
	L = 1,50 m		
40	TLG4 R 160/150	<b>397,81</b>	40
	L = 1,00 m		
40	TLG4 R 160/100	<b>244,50</b>	40
	L = 0,75 m		
40	TLG4 R 160/ 75	<b>209,31</b>	40

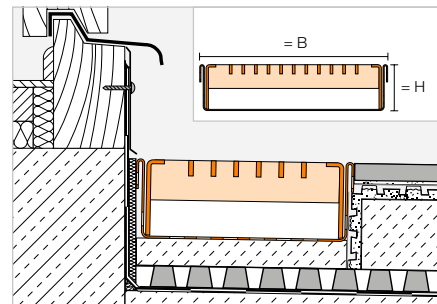
## Drainagegoot

### Schlüter®-TROBA-LINE-TLR-E



Schlüter-TROBA-LINE-TLR-E is een roestvaststalen drainagegoot met een afde krooster van gepolijst roestvast staal. De goot kan bij lage aansluithoogten aan deurelementen op balkons en terrassen worden ingewerkt om opstuwend water te voorkomen. Ze kan ook als een intensief belastbare oppervlaktedrainagegoot worden gebruikt.

(Productdatablad 7.4)



#### Schlüter®-TROBA-LINE-TLR-E

Goot geperforeerd, rooster roestvast staal V2A, B = 110 mm

H (mm)	L = 2,00 m Art.-No.	€ / St.	KV (st.)
20	TL2 R EP 110/200	<b>473,69</b>	40
40	TL4 R EP 110/200	<b>612,31</b>	40
L = 1,50 m			
20	TL2 R EP 110/150	<b>407,56</b>	40
40	TL4 R EP 110/150	<b>529,86</b>	40
L = 1,00 m			
20	TL2 R EP 110/100	<b>247,20</b>	40
40	TL4 R EP 110/100	<b>316,52</b>	40
L = 0,75 m			
20	TL2 R EP 110/ 75	<b>214,16</b>	40
40	TL4 R EP 110/ 75	<b>275,30</b>	40

#### Schlüter®-TROBA-LINE-TLR-E

Goot geperforeerd, rooster roestvast staal V2A, B = 160 mm

H (mm)	L = 2,00 m Art.-No.	€ / St.	KV (st.)
20	TL2 R EP 160/200	<b>620,54</b>	40
40	TL4 R EP 160/200	<b>758,75</b>	40
L = 1,50 m			
20	TL2 R EP 160/150	<b>539,51</b>	40
40	TL4 R EP 160/150	<b>655,35</b>	40
L = 1,00 m			
20	TL2 R EP 160/100	<b>320,63</b>	40
40	TL4 R EP 160/100	<b>389,69</b>	40
L = 0,75 m			
20	TL2 R EP 160/ 75	<b>280,10</b>	40
40	TL4 R EP 160/ 75	<b>338,02</b>	40

#### Opmerking:

Bij elke TROBA-LINE-TLR-E-drainagegoot zijn twee eindstukken / verbindingstukken verpakt.

Het rooster van TROBA-LINE-TLR-E in de lengtes 1,50 m en 2,00 m bestaat uit telkens 2 delen (2 x 0,75 m of 2 x 1,00 m).

#### Schlüter®-TROBA-LINE-TLGR-E

Goot gesloten, rooster roestvast staal V2A, B = 110 mm

H (mm)	L = 2,00 m Art.-No.	€ / St.	KV (st.)
40	TLG4 R EP 110/200	<b>612,31</b>	40
L = 1,50 m			
40	TLG4 R EP 110/150	<b>529,86</b>	40
L = 1,00 m			
40	TLG4 R EP 110/100	<b>316,52</b>	40
L = 0,75 m			
40	TLG4 R EP 110/ 75	<b>275,30</b>	40

#### Schlüter®-TROBA-LINE-TLGR-E

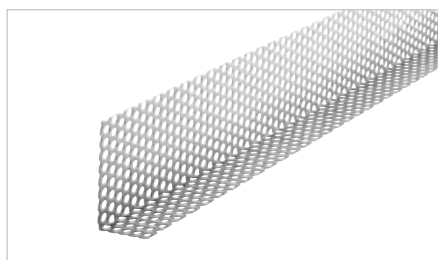
Goot gesloten, rooster roestvast staal V2A, B = 160 mm

H (mm)	L = 2,00 m Art.-No.	€ / St.	KV (st.)
40	TLG4 R EP 160/200	<b>758,75</b>	40
L = 1,50 m			
40	TLG4 R EP 160/150	<b>655,35</b>	40
L = 1,00 m			
40	TLG4 R EP 160/100	<b>389,69</b>	40
L = 0,75 m			
40	TLG4 R EP 160/ 75	<b>338,02</b>	40

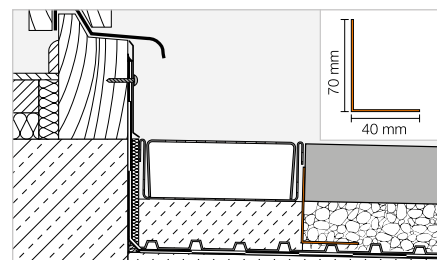


## Kiezelvangrand

### Schlüter®-TROBA-LINE-TLK-E



Schlüter-TROBA-LINE-TLK-E is een kiezelvangrand uit roestvast staal die de bekleding begrenst of dienst doet als lastspreidingslaag. (Productdatablad 7.4)



#### Schlüter®-TROBA-LINE-TLK-E

Roestvast staal V2A

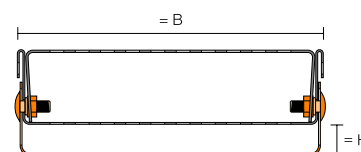
L (cm)	Art.-No.	€ / St.	KV (st.)
75	TLKE 4070 / 75	<b>42,23</b>	40
100	TLKE 4070 / 100	<b>47,19</b>	40

## Hoogteverstelling

### Schlüter®-TROBA-LINE-TL/H



Schlüter-TROBA-LINE-TL/H is een in de hoogte instelbaar element waarmee de geperforeerde drainagegoten Schlüter-TROBA-LINE-TL en -TLR in de hoogte 40 mm variabel worden uitgelijnd. (Productdatablad 7.4)



#### Schlüter®-TROBA-LINE-TL/H

Hoogteregeling, B = 75 mm

H (mm)	L = 135 mm Art.-No.	€ / Set	KV (Set)
0-20	TL2 H 75*	<b>24,77</b>	40
20-40	TL4 H 75**	<b>26,49</b>	40

variabele hoogtes \* 0-20 mm / \*\* 20-40 mm

#### Schlüter®-TROBA-LINE-TL/H

Hoogteregeling, B = 110 mm

H (mm)	L = 135 mm Art.-No.	€ / Set	KV (Set)
0-20	TL2 H 110*	<b>26,41</b>	40
20-40	TL4 H 110**	<b>28,15</b>	40

Set met 4 schroeven

#### Schlüter®-TROBA-LINE-TL/H

Hoogteregeling, B = 160 mm

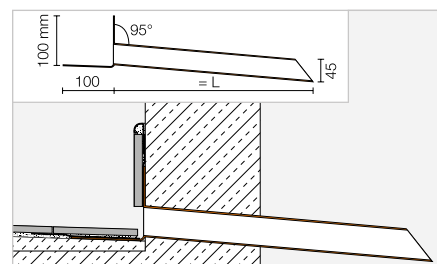
H (mm)	L = 135 mm Art.-No.	€ / Set	KV (Set)
0-20	TL2 H 160*	<b>28,84</b>	40
20-40	TL4 H 160**	<b>30,56</b>	40

## Spuwer

### Schlüter®-KERDI-DRAIN-SP-E



Schlüter-KERDI-DRAIN-SP-E is een spuwer uit roestvast staal voor de afwatering van balkons en terrassen die door een borstwering worden begrensd. Op de grote kleefflens wordt de meegeleverde KERDI-manchet als afdichtingsaansluiting gelijmd, waardoor een eenvoudige en betrouwbare verbinding van de contactafdichtingen verzekerd is. (Productdatablad 8.5)



#### Schlüter®-KERDI-DRAIN-SP-E

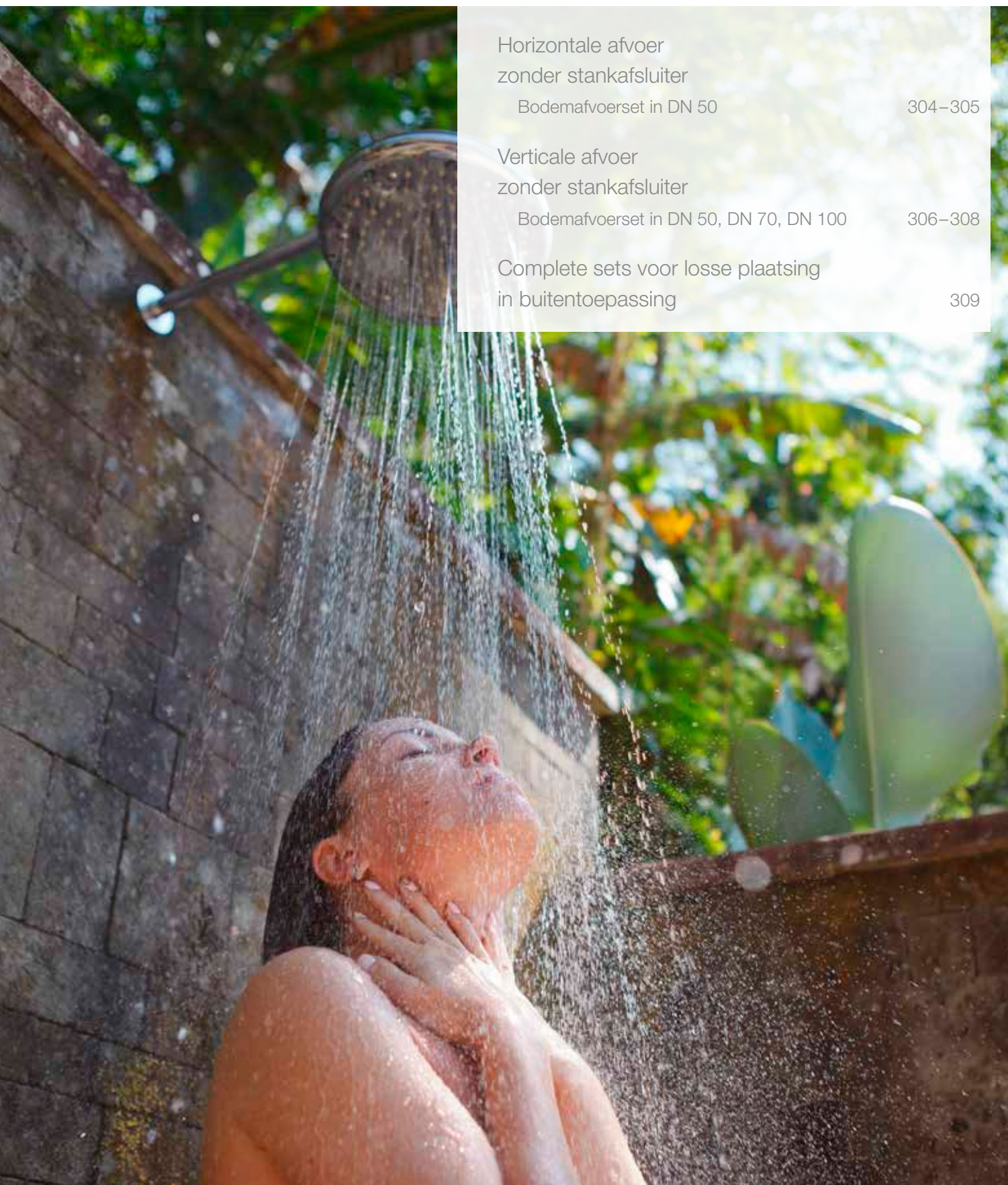
Roestvast staal V2A

L (cm)	Art.-No.	€ / Set	P (set)
25	KD SPE 45/25	<b>122,52</b>	10
40	KD SPE 45/40	<b>130,18</b>	10



# Schlüter®-KERDI-DRAIN

## Centrale afvoer in buitentoepassing



Horizontale afvoer  
zonder stankafsluiter

Bodemafvoerset in DN 50

304–305

Verticale afvoer  
zonder stankafsluiter

Bodemafvoerset in DN 50, DN 70, DN 100

306–308

Complete sets voor losse plaatsing  
in buitentoepassing

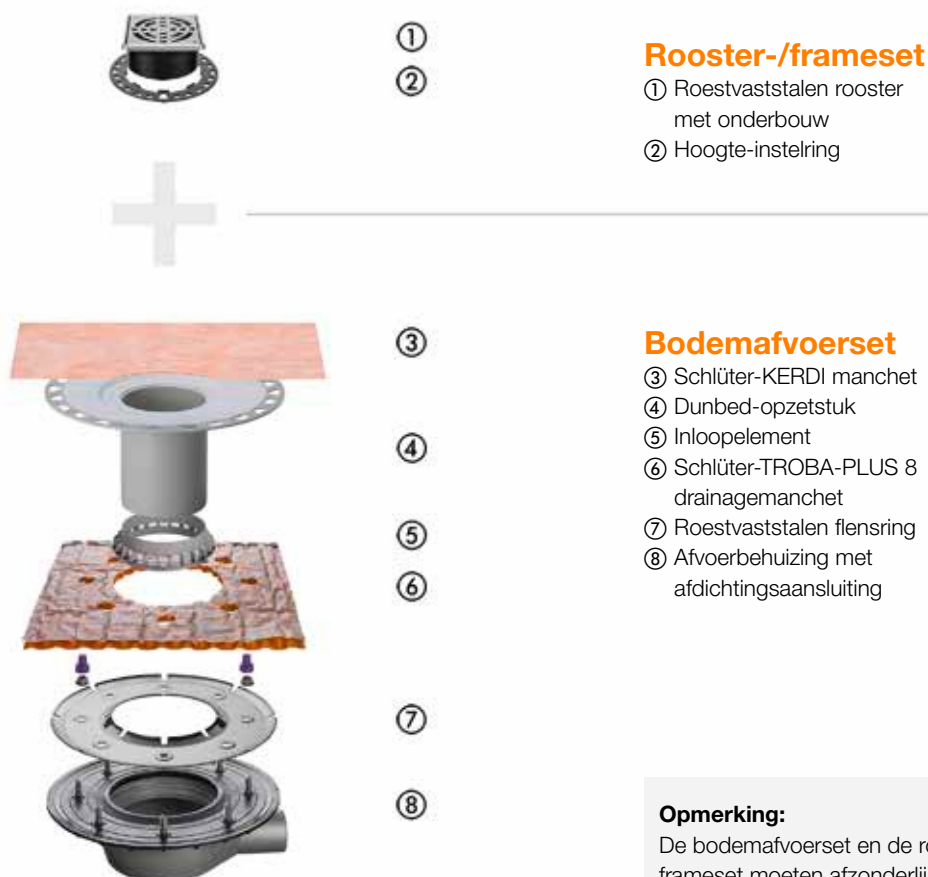
309



# Schlüter®-KERDI-DRAIN

## Horizontale afvoer zonder stankafsluiter

### Centrale afvoer in buitentoepassing



**Opmerking:**

De bodemafvoerset en de rooster-/frameset moeten afzonderlijk worden besteld.

### Bijzonderheden van het rooster



De roosters voor alle bodemafvoeren zijn uitgerust met een frameverlenging (met uitzondering van KD R10 ED4) en een hoogteregeling. Deze roosters zijn niet voorzien van een stankafsluiter. Alle roosters zijn incl. vuilopvangzeef, met uitzondering van KD R10 ED4, KD R15 ED1 S, KD R15 ED1 SB en KD R15 ED1 SR.



### Rooster-design



Design 1  
CLASSIC



Design 1  
CLASSIC  
ROUND



Design 2  
TRAPEZOID



Design 3  
SQUARE



Design 4  
TILE

## DN 50

## Bodemafoerset



Art.-No.

€ / St.

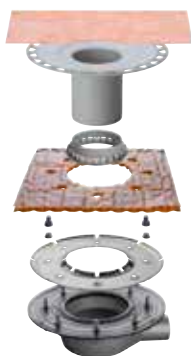
KD BH 50 B

115,76

Rooster-/frameset	L x B (cm)	Art.-No.	€ / St.
Design 1, roestvast staal met schroeven	10 x 10	KD R10 ED1 S	65,15
Design 1, roestvast staal V4A met schroeven	10 x 10	KD R10 V4A D1 S	81,43
Design 1, roestvast staal	10 x 10	KD R10 ED1	65,15
Design 1, roestvast staal olie ingewreven brons met schroeven	10 x 10	KD R10 EOB D1 S	92,53
Design 1, roestvast staal met schroeven	15 x 15	KD R15 ED1 S	88,84
Design 1, roestvast staal met schroeven (rond)	15 x 15	KD R15 ED1 SR	88,84
Design 2, roestvast staal geborsteld	10 x 10	KD R10 ED2	118,47
Design 3, roestvast staal geborsteld	10 x 10	KD R10 ED3	118,47
Design 4, tegeldrager	10 x 10	KD R10 ED4	65,15

## DN 50

## Bodemafoerset



Art.-No.

€ / St.

KD BH 50 MSBB

226,02

Rooster-/frameset	L x B (cm)	Art.-No.	€ / St.
Design 1, roestvast staal met schroeven	10 x 10	KD R10 ED1 S	65,15
Design 1, roestvast staal V4A met schroeven	10 x 10	KD R10 V4A D1 S	81,43
Design 1, roestvast staal	10 x 10	KD R10 ED1	65,15
Design 1, roestvast staal olie ingewreven brons met schroeven	10 x 10	KD R10 EOB D1 S	92,53
Design 1, roestvast staal met schroeven	15 x 15	KD R15 ED1 S	88,84
Design 1, roestvast staal met schroeven (rond)	15 x 15	KD R15 ED1 SR	88,84
Design 2, roestvast staal geborsteld	10 x 10	KD R10 ED2	118,47
Design 3, roestvast staal geborsteld	10 x 10	KD R10 ED3	118,47
Design 4, tegeldrager	10 x 10	KD R10 ED4	65,15

P = 10 stuks

**Opmerking:** Met afdichtingsaansluiting voor bitumen en kunststof stroken.

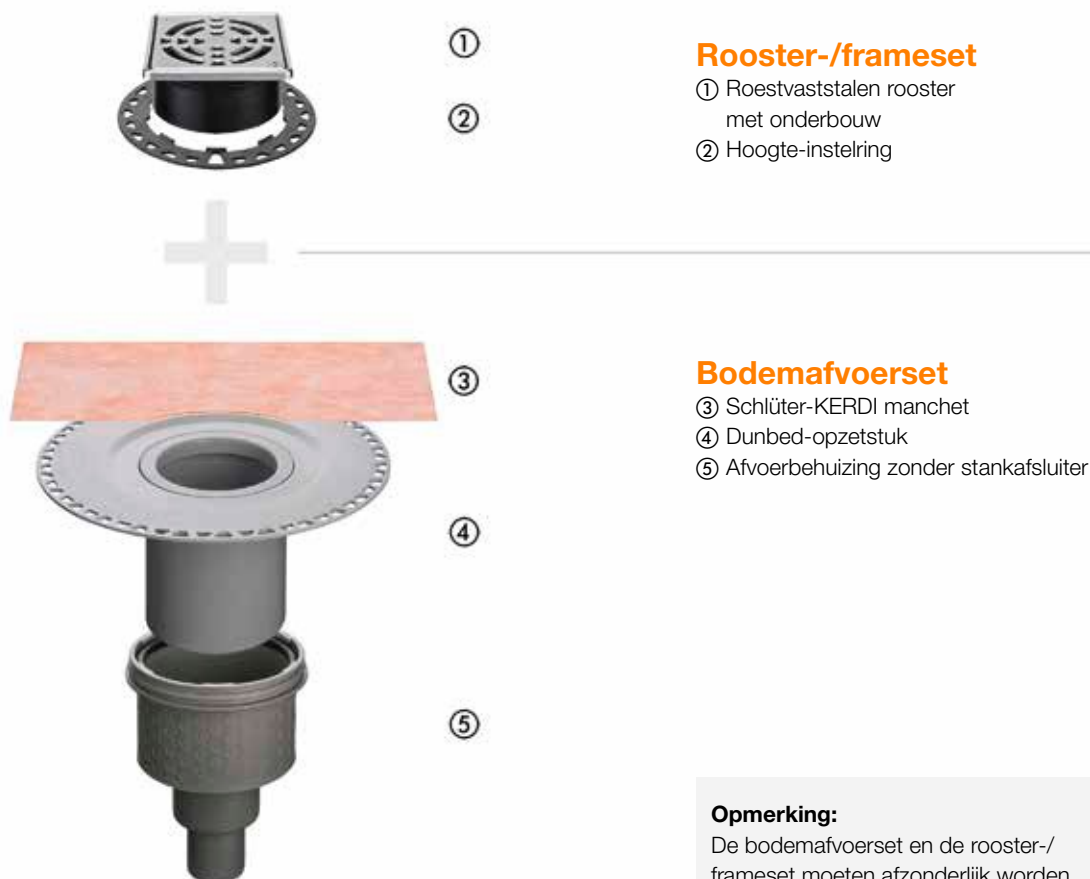




# Schlüter®-KERDI-DRAIN

## Verticale afvoer zonder stankafsluiter

### Centrale afvoer in buitentoepassing



#### Opmerking:

De bodemafvoerset en de rooster-/frameset moeten afzonderlijk worden besteld.

### Bijzonderheden van het rooster



De roosters voor alle bodemafvoeren zijn uitgerust met een frameverlenging (met uitzondering van KD R10 ED4) en een hoogteregeling. Deze roosters zijn niet voorzien van een stankafsluiter. Alle roosters zijn incl. vuilopvangzeef, met uitzondering van KD R10 ED4, KD R15 ED1 S, KD R15 ED1 SB en KD R15 ED1 SR.



### Rooster-design



Design 1  
CLASSIC



Design 1  
CLASSIC  
ROUND



Design 2  
TRAPEZOID



Design 3  
SQUARE

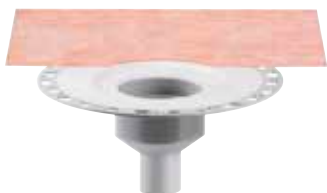


Design 4  
TILE



## DN 50

## Bodemafoerset



Art.-No.	€ / St.
KD BV 50	62,17

Rooster-/frameset	L x B (cm)	Art.-No.	€ / St.
Design 1, roestvast staal met schroeven	10 x 10	KD R10 ED1 S	65,15
Design 1, roestvast staal V4A met schroeven	10 x 10	KD R10 V4A D1 S	81,43
Design 1, roestvast staal	10 x 10	KD R10 ED1	65,15
Design 1, roestvast staal olie ingewreven brons met schroeven	10 x 10	KD R10 EOB D1 S	92,53
Design 1, roestvast staal met schroeven	15 x 15	KD R15 ED1 S	88,84
Design 1, roestvast staal met schroeven (rond)	15 x 15	KD R15 ED1 SR	88,84
Design 2, roestvast staal geborsteld	10 x 10	KD R10 ED2	118,47
Design 3, roestvast staal geborsteld	10 x 10	KD R10 ED3	118,47
Design 4, tegeldrager	10 x 10	KD R10 ED4	65,15

## DN 70

## Bodemafoerset

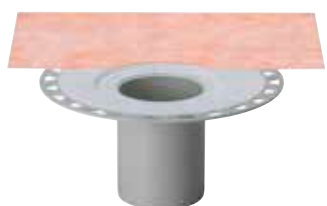


Art.-No.	€ / St.
KD BV 70	62,17

Rooster-/frameset	L x B (cm)	Art.-No.	€ / St.
Design 1, roestvast staal met schroeven	10 x 10	KD R10 ED1 S	65,15
Design 1, roestvast staal V4A met schroeven	10 x 10	KD R10 V4A D1 S	81,43
Design 1, roestvast staal	10 x 10	KD R10 ED1	65,15
Design 1, roestvast staal olie ingewreven brons met schroeven	10 x 10	KD R10 EOB D1 S	92,53
Design 1, roestvast staal met schroeven	15 x 15	KD R15 ED1 S	88,84
Design 1, roestvast staal met schroeven (rond)	15 x 15	KD R15 ED1 SR	88,84
Design 2, roestvast staal geborsteld	10 x 10	KD R10 ED2	118,47
Design 3, roestvast staal geborsteld	10 x 10	KD R10 ED3	118,47
Design 4, tegeldrager	10 x 10	KD R10 ED4	65,15

## DN 100

## Bodemafoerset



Art.-No.	€ / St.
KD BV 100	62,17

Rooster-/frameset	L x B (cm)	Art.-No.	€ / St.
Design 1, roestvast staal met schroeven	10 x 10	KD R10 ED1 S	65,15
Design 1, roestvast staal V4A met schroeven	10 x 10	KD R10 V4A D1 S	81,43
Design 1, roestvast staal	10 x 10	KD R10 ED1	65,15
Design 1, roestvast staal olie ingewreven brons met schroeven	10 x 10	KD R10 EOB D1 S	92,53
Design 1, roestvast staal met schroeven	15 x 15	KD R15 ED1 S	88,84
Design 1, roestvast staal met schroeven (rond)	15 x 15	KD R15 ED1 SR	88,84
Design 2, roestvast staal geborsteld	10 x 10	KD R10 ED2	118,47
Design 3, roestvast staal geborsteld	10 x 10	KD R10 ED3	118,47
Design 4, tegeldrager	10 x 10	KD R10 ED4	65,15

P = 10 stuks



# Schlüter®-KERDI-DRAIN

## Verticale afvoer zonder stankafsluiter

Centrale afvoer in buitentoepassing

DN 50

Bodemafvoerset	+ Rooster-/frameset	L x B (cm)	Art.-No.	€ / St.
	Design 1, roestvast staal met schroeven	10 x 10	KD R10 ED1 S	<b>65,15</b>
	Design 1, roestvast staal V4A met schroeven	10 x 10	KD R10 V4A D1 S	<b>81,43</b>
	Design 1, roestvast staal	10 x 10	KD R10 ED1	<b>65,15</b>
	Design 1, roestvast staal olie ingewreven brons met schroeven	10 x 10	KD R10 EOB D1 S	<b>92,53</b>
	Design 1, roestvast staal met schroeven	15 x 15	KD R15 ED1 S	<b>88,84</b>
	Design 1, roestvast staal met schroeven (rond)	15 x 15	KD R15 ED1 SR	<b>88,84</b>
	Design 2, roestvast staal geborsteld	10 x 10	KD R10 ED2	<b>118,47</b>
	Design 3, roestvast staal geborsteld	10 x 10	KD R10 ED3	<b>118,47</b>
	Design 4, tegeldrager	10 x 10	KD R10 ED4	<b>65,15</b>
	Art.-No.	€ / St.		
KD BV 50 B	<b>115,76</b>			

DN 50

Bodemafvoerset	+ Rooster-/frameset	L x B (cm)	Art.-No.	€ / St.
	Design 1, roestvast staal met schroeven	10 x 10	KD R10 ED1 S	<b>65,15</b>
	Design 1, roestvast staal V4A met schroeven	10 x 10	KD R10 V4A D1 S	<b>81,43</b>
	Design 1, roestvast staal	10 x 10	KD R10 ED1	<b>65,15</b>
	Design 1, roestvast staal olie ingewreven brons met schroeven	10 x 10	KD R10 EOB D1 S	<b>92,53</b>
	Design 1, roestvast staal met schroeven	15 x 15	KD R15 ED1 S	<b>88,84</b>
	Design 1, roestvast staal met schroeven (rond)	15 x 15	KD R15 ED1 SR	<b>88,84</b>
	Design 2, roestvast staal geborsteld	10 x 10	KD R10 ED2	<b>118,47</b>
	Design 3, roestvast staal geborsteld	10 x 10	KD R10 ED3	<b>118,47</b>
	Design 4, tegeldrager	10 x 10	KD R10 ED4	<b>65,15</b>
	Art.-No.	€ / St.		
KD BV 50 MSBB	<b>226,02</b>			

P = 10 stuks

**Opmerking:** Met afdichtingsaansluiting voor bitumen en kunststof stroken.

Rooster-design



Design 1  
CLASSIC



Design 1  
CLASSIC  
ROUND



Design 2  
TRAPEZOID



Design 3  
SQUARE



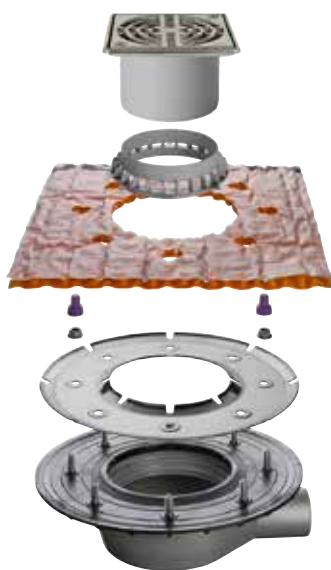
Design 4  
TILE

# Schlüter®-KERDI-DRAIN

## Complete sets voor losse plaatsing in buitentoepassing

Centrale afwatering | Horizontale afvoer

DN 50

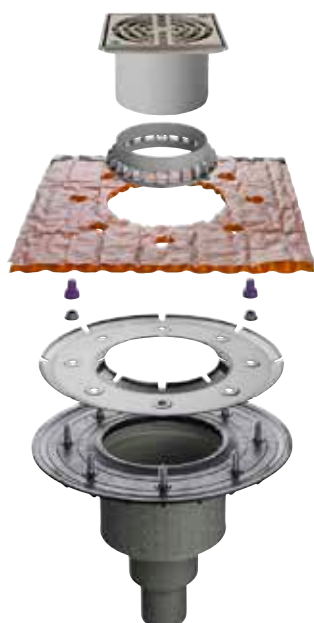
**De set bevat:**

- Bodemafvoerset
- Afdichtingsaansluiting voor bitumen en kunststof stroken
- Opzetstuk voor losse plaatsing
- Rooster, design 1 (KD R15 ED1 S), roestvast staal met schroeven

Art.-No.	€ / St.
KD BH 50 ASLVB	261,89

Centrale afwatering | Verticale afvoer

DN 50

**De set bevat:**

- Bodemafvoerset
- Afdichtingsaansluiting voor bitumen en kunststof stroken
- Opzetstuk voor losse plaatsing
- Rooster, design 1 (KD R15 ED1 S), roestvast staal met schroeven

Art.-No.	€ / St.
KD BV 50 ASLVB	261,89

P = 10 stuks





# Schlüter®-BARA balkonrandprofielen

Afdekken, beschermen, bevestigen

Welke balkonopbouw u ook kiest, met Schlüter-BARA-balkonrandprofielen creëert u altijd een passende afsluiting. Ze bedekken de constructieopbouw en beschermen de randen van balkons en terrassen. Veel van onze randprofielen zijn voorzien van een bevestigingssysteem waaraan het hoogwaardige BARIN-gootsysteem eenvoudig kan worden gemonteerd.





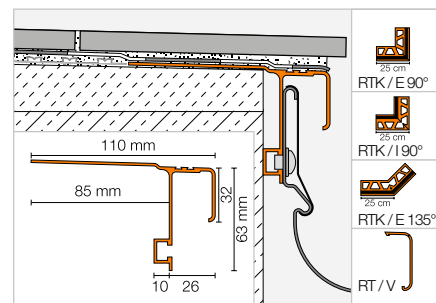
## Randprofiel voor gootbevestiging

## Schlüter®-BARA-RTK



Schlüter-BARA-RTK is een randprofiel met druiprand voor plaatsing op een al op afschot aangebrachte dekvloer. Het profiel heeft een zodanige vormgeving geschikt voor de montage van het gootsysteem Schlüter-BARIN. De tegels kunnen met oversteek worden geplaatst. Als alternatief kan op de verdiepte overgang naar de druiprand een Schlüter-JOLLY als tegelafsluiting worden aangebracht.

(Productdatablad 5.9)



## Schlüter®-BARA-RTK

Alu. met kleurcoating

L = 2,50 m Art.-No.	€ / m	KV (st.)
RTK 30 ...*	43,78	40

## Hoek | Eindkapje | Verbindingsstuk

## Schlüter®-BARA-RTK/E 90°

Buitenhoek 90°

Art.-No.	€ / St.	P (st.)
E90 / RTK 30 ...*	55,60	10

## Schlüter®-BARA-RTK/E 135°

Buitenhoek 135°

Art.-No.	€ / St.	P (st.)
E135 / RTK 30 ...*	61,21	10

## Schlüter®-BARA-RTK/I 90°

Binnenhoek 90°

Art.-No.	€ / St.	P (st.)
I90 / RTK 30 ...*	55,60	10

## Schlüter®-BARA-RT/EK

Eindkapje

Art.-No.	€ / St.	P (st.)
E / RT 30 ...*	3,19	50

## Schlüter®-BARA-RTK/V

Verbindingsstuk

Art.-No.	€ / St.	P (st.)
V / RT 30 ...*	3,28	50

**Klantspecifieke hoeken verkrijgbaar**  
Meer info op pagina 339.

## Art.-No. kleur toevoegen (bijv. V / RT 30 SB)



\* Kleuren: BW - GM - PG - SB

Een overzicht van de oppervlakken en kleuren vindt u vanaf pagina 340.

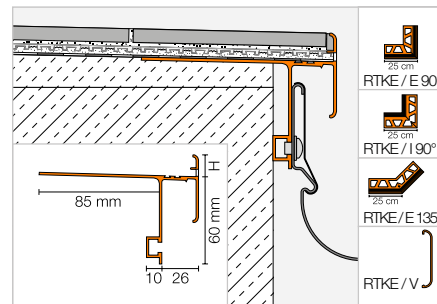


## Randprofiel voor gootbevestiging

### Schlüter®-BARA-RTKE



Schlüter-BARA-RTKE is een randprofiel met druiprand voor de toepassing op een al op afschot aangebrachte dekvloer. Het profiel heeft een zodanige vormgeving geschikt voor de montage van het gootsysteem Schlüter-BARIN. Het profiel BARA-RTKE is bijzonder geschikt voor de constructieopbouw met de hechtende drainage Schlüter-DITRA-DRAIN. Door de geperforeerde rand behoudt men een keurige tegelafsluiting. (Productdatablad 5.21)



### Schlüter®-BARA-RTKE

Alu. met kleurcoating

H (mm)	L = 2,50 m Art.-No.	€ / m	KV (st.)
10	RTKE 10 ...*	52,87	40
15	RTKE 15 ...*	53,43	40
18	RTKE 18 ...*	54,77	40
21	RTKE 21 ...*	55,92	40
23	RTKE 23 ...*	57,61	40

#### Opmerking:

De profielhoogte 23 mm is eveneens bedoeld voor gebruik met Schlüter-DITRA-DRAIN 8.

## Hoek | Verbindingsstuk

### Schlüter®-BARA-RTKE/E 90°

Buitenhoek 90°

H (mm)	Art.-No.	€ / St.	P (st.)
10	E90 / RTKE 10 ...*	63,84	10
15	E90 / RTKE 15 ...*	63,84	10
18	E90 / RTKE 18 ...*	63,84	10
21	E90 / RTKE 21 ...*	63,84	10
23	E90 / RTKE 23 ...*	63,84	10

### Schlüter®-BARA-RTKE/E 135°

Buitenhoek 135°

H (mm)	Art.-No.	€ / St.	P (st.)
10	E135 / RTKE 10 ...*	63,84	10
15	E135 / RTKE 15 ...*	63,84	10
18	E135 / RTKE 18 ...*	63,84	10
21	E135 / RTKE 21 ...*	63,84	10
23	E135 / RTKE 23 ...*	63,84	10

### Schlüter®-BARA-RTKE/I 90°

Binnenhoek 90°

H (mm)	Art.-No.	€ / St.	P (st.)
10	I90 / RTKE 10 ...*	63,84	10
15	I90 / RTKE 15 ...*	63,84	10
18	I90 / RTKE 18 ...*	63,84	10
21	I90 / RTKE 21 ...*	63,84	10
23	I90 / RTKE 23 ...*	63,84	10

### Schlüter®-BARA-RTKE/V

Verbindingsstuk

H (mm)	Art.-No.	€ / St.	P (st.)
10	V / RTKE 10 ...*	3,57	50
15	V / RTKE 15 ...*	3,57	50
18	V / RTKE 18 ...*	3,57	50
21	V / RTKE 21 ...*	3,57	50
23	V / RTKE 23 ...*	3,57	50



### Art.-No. kleur toevoegen (bijv. V / RTKE 10 PG)



\* Kleuren: GM - PG

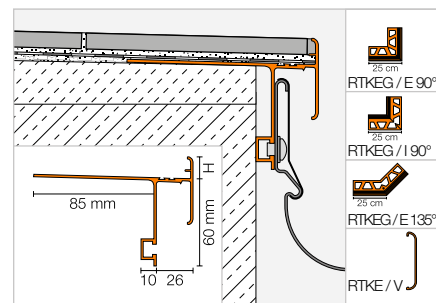
Een overzicht van de oppervlakken en kleuren vindt u vanaf pagina 340.

## Randprofiel voor gootbevestiging

## Schlüter®-BARA-RTKEG



Schlüter-BARA-RTKEG is een randprofiel met druiprand voor de toepassing op een al op afschot aangebrachte dekvloer. Het profiel heeft een zodanige vormgeving geschikt voor de montage van het gootsysteem Schlüter-BARIN. Het is geschikt voor de constructie-opbouw met de ontkoppelingsmat Schlüter-DITRA. Door de gesloten rand behoudt men een keurige tegelafsluiting. (Productdatablad 5.21)



## Schlüter®-BARA-RTKEG

Alu. met kleurcoating

H (mm)	L = 2,50 m Art.-No.	€ / m	KV (st.)
4	RTKEG 4 ...*	41,52	40
10	RTKEG 10 ...*	42,07	40
15	RTKEG 15 ...*	42,81	40
18	RTKEG 18 ...*	44,26	40
21	RTKEG 21 ...*	45,34	40

## Hoek | Verbindingsstuk

## Schlüter®-BARA-RTKEG/E 90°

Buitenhoek 90°

H (mm)	Art.-No.	€ / St.	P (st.)
4	E90 / RTKEG 4 ...*	57,48	10
10	E90 / RTKEG 10 ...*	57,48	10
15	E90 / RTKEG 15 ...*	57,48	10
18	E90 / RTKEG 18 ...*	57,48	10
21	E90 / RTKEG 21 ...*	57,48	10

## Schlüter®-BARA-RTKEG/E 135°

Buitenhoek 135°

H (mm)	Art.-No.	€ / St.	P (st.)
4	E135 / RTKEG 4 ...*	57,48	10
10	E135 / RTKEG 10 ...*	57,48	10
15	E135 / RTKEG 15 ...*	57,48	10
18	E135 / RTKEG 18 ...*	57,48	10
21	E135 / RTKEG 21 ...*	57,48	10

## Schlüter®-BARA-RTKEG/I 90°

Binnenhoek 90°

H (mm)	Art.-No.	€ / St.	P (st.)
4	I90 / RTKEG 4 ...*	57,48	10
10	I90 / RTKEG 10 ...*	57,48	10
15	I90 / RTKEG 15 ...*	57,48	10
18	I90 / RTKEG 18 ...*	57,48	10
21	I90 / RTKEG 21 ...*	57,48	10

## Schlüter®-BARA-RTKE/V

Verbindingsstuk

H (mm)	Art.-No.	€ / St.	P (st.)
4	V / RTKE 4 ...*	3,57	50
10	V / RTKE 10 ...*	3,57	50
15	V / RTKE 15 ...*	3,57	50
18	V / RTKE 18 ...*	3,57	50
21	V / RTKE 21 ...*	3,57	50

 Klantspecifieke hoeken verkrijgbaar  
Meer info op pagina 339.

## Art.-No. kleur toevoegen (bijv. V / RTKE 4 PG)

GM PG

\* Kleuren: GM - PG

Een overzicht van de oppervlakken en kleuren vindt u vanaf pagina 340.



# Schlüter®-BARA

## Outdoor maatwerk

Schlüter-Systems biedt niet alleen voor elke situatie op balkons en terrassen de juiste opbouw. U kunt voor onze BARA-profielen ook kiezen uit maar liefst 5 standaard-coatings. Of – als bijzondere klantenservice – een individuele coating uit 190 RAL-classic kleuren. En bij een creatief ontwerp, bieden wij ook hoeken in speciale graden aan. Vraag het ons – wij maken op maat gemaakte producten.





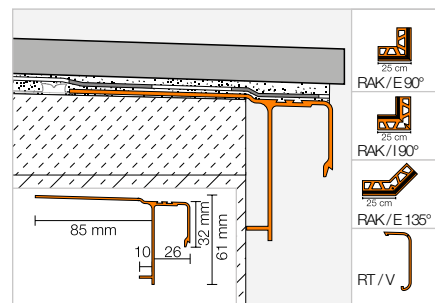
## Randprofiel



## Schlüter®-BARA-RAK



Schlüter-BARA-RAK is een balkonrandprofiel met druiprand van kleurgecoat aluminium. Het wordt aan de randen op een op voorhand aangebracht afschot gelegd en fungeert daar als randafsluiting en druiprand. (Productdatablad 5.5)



## Schlüter®-BARA-RAK

Alu. met kleurcoating

L = 2,50 m Art.-No.	€ / m	KV (st.)
RAK 50 ...*	38,37	40

**MyDesign by Schlüter-Systems**  
Individuele coating in  
190 RAL-Classic kleuren mogelijk.  
Meer info vanaf pagina 16.

## Hoek | Eindkapje | Verbindingsstuk

## Schlüter®-BARA-RAK/E 90°

Buitenhoek 90°

Art.-No.	€ / St.	P (st.)
E90 / RAK 50 ...*	51,14	10

## Schlüter®-BARA-RAK/E 135°

Buitenhoek 135°

Art.-No.	€ / St.	P (st.)
E135 / RAK 50 ...*	56,28	10

## Schlüter®-BARA-RAK/I 90°

Binnenhoek 90°

Art.-No.	€ / St.	P (st.)
I90 / RAK 50 ...*	51,14	10

## Schlüter®-BARA-RT/EK

Eindkapje

Art.-No.	€ / St.	P (st.)
E / RT 30 ...*	3,19	50

## Schlüter®-BARA-RTK/V

Verbindingsstuk

Art.-No.	€ / St.	P (st.)
V / RT 30 ...*	3,28	50

**Klantspecifieke hoeken verkrijgbaar**  
Meer info op pagina 339.

## Art.-No. kleur toevoegen (bijv. V / RT 30 SB)



\* Kleuren: AG - BW - GM - PG - SB

Een overzicht van de oppervlakken en kleuren vindt u vanaf pagina 340.

**Opmerking:**

Schlüter-BARA-RAK is niet bedoeld voor de montage van het gootsysteem Schlüter-BARIN. Door het boren van gaten (Ø 7 mm) is dit echter wel mogelijk.



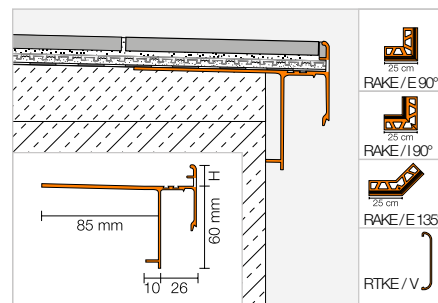
## Randprofiel

### Schlüter®-BARA-RAKE



Schlüter-BARA-RAKE is een randprofiel met druiprand voor de toepassing op een al op afschot aangebrachte dekvloer. Het profiel BARA-RAKE is bijzonder geschikt voor de constructieopbouw met de hechtende drainage Schlüter-DITRA-DRAIN. Door de geperforeerde rand behoudt men een keurige tegelafsluiting.

(Productdatablad 5.22)



### Schlüter®-BARA-RAKE

Alu. met kleurcoating

H (mm)	L = 2,50 m Art.-No.	€ / m	KV (st.)
10	RAKE 10 ...*	53,43	40
15	RAKE 15 ...*	56,62	40
18	RAKE 18 ...*	56,87	40
21	RAKE 21 ...*	57,46	40



## Hoek | Verbindingsstuk

### Schlüter®-BARA-RAKE/E 90°

Buitenhoek 90°

H (mm)	Art.-No.	€ / St.	P (st.)
10	E90 / RAKE 10 ...*	63,67	10
15	E90 / RAKE 15 ...*	63,67	10
18	E90 / RAKE 18 ...*	63,67	10
21	E90 / RAKE 21 ...*	63,67	10

### Schlüter®-BARA-RAKE/E 135°

Buitenhoek 135°

H (mm)	Art.-No.	€ / St.	P (st.)
10	E135 / RAKE 10 ...*	63,67	10
15	E135 / RAKE 15 ...*	63,67	10
18	E135 / RAKE 18 ...*	63,67	10
21	E135 / RAKE 21 ...*	63,67	10

### Schlüter®-BARA-RAKE/I 90°

Binnenhoek 90°

H (mm)	Art.-No.	€ / St.	P (st.)
10	I90 / RAKE 10 ...*	63,67	10
15	I90 / RAKE 15 ...*	63,67	10
18	I90 / RAKE 18 ...*	63,67	10
21	I90 / RAKE 21 ...*	63,67	10

### Schlüter®-BARA-RTKE/V

Verbindingsstuk

H (mm)	Art.-No.	€ / St.	P (st.)
10	V / RTKE 10 ...*	3,57	50
15	V / RTKE 15 ...*	3,57	50
18	V / RTKE 18 ...*	3,57	50
21	V / RTKE 21 ...*	3,57	50



Art.-No. kleur toevoegen (bijv. V / RTKE 10 PG)

GM PG

\* Kleuren: GM - PG

Een overzicht van de oppervlakken en kleuren vindt u vanaf pagina 340.

## Randprofiel

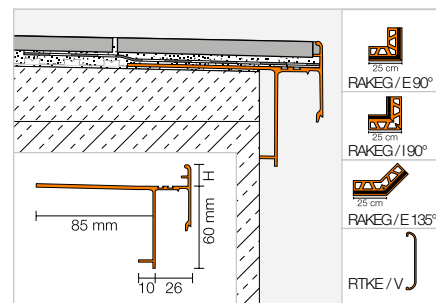


## Schlüter®-BARA-RAKEG



Schlüter-BARA-RAKEG is een randprofiel met druiprand voor de toepassing op een al op afschot aangebrachte dekvloer. Het is geschikt voor de constructieopbouw met de ontkoppelingsmat Schlüter-DITRA. Door de gesloten rand behoudt men een keurige tegelafsluiting.

(Productdatablad 5.22)



## Schlüter®-BARA-RAKEG

Alu. met kleurcoating

H (mm)	L = 2,50 m Art.-No.	€ / m	KV (st.)
4	RAKEG 4 ...*	41,83	40
10	RAKEG 10 ...*	42,50	40
15	RAKEG 15 ...*	45,74	40
18	RAKEG 18 ...*	46,00	40
21	RAKEG 21 ...*	46,57	40



## Hoek | Verbindingsstuk

## Schlüter®-BARA-RAKEG/E 90°

Buitenhoek 90°

H (mm)	Art.-No.	€ / St.	P (st.)
4	E90 / RAKEG 4 ...*	57,33	10
10	E90 / RAKEG 10 ...*	57,33	10
15	E90 / RAKEG 15 ...*	57,33	10
18	E90 / RAKEG 18 ...*	57,33	10
21	E90 / RAKEG 21 ...*	57,33	10

## Schlüter®-BARA-RAKEG/E 135°

Buitenhoek 135°

H (mm)	Art.-No.	€ / St.	P (st.)
4	E135 / RAKEG 4 ...*	57,33	10
10	E135 / RAKEG 10 ...*	57,33	10
15	E135 / RAKEG 15 ...*	57,33	10
18	E135 / RAKEG 18 ...*	57,33	10
21	E135 / RAKEG 21 ...*	57,33	10

## Schlüter®-BARA-RAKEG/I 90°

Binnenhoek 90°

H (mm)	Art.-No.	€ / St.	P (st.)
4	I90 / RAKEG 4 ...*	57,33	10
10	I90 / RAKEG 10 ...*	57,33	10
15	I90 / RAKEG 15 ...*	57,33	10
18	I90 / RAKEG 18 ...*	57,33	10
21	I90 / RAKEG 21 ...*	57,33	10

## Schlüter®-BARA-RTKE/V

Verbindingsstuk

H (mm)	Art.-No.	€ / St.	P (st.)
4	V / RTKE 4 ...*	3,57	50
10	V / RTKE 10 ...*	3,57	50
15	V / RTKE 15 ...*	3,57	50
18	V / RTKE 18 ...*	3,57	50
21	V / RTKE 21 ...*	3,57	50



## Art.-No. kleur toevoegen (bijv. V / RTKE 4 GM)



\* Kleuren: AG - BW - GM - PG - SB

Een overzicht van de oppervlakken en kleuren vindt u vanaf pagina 340.



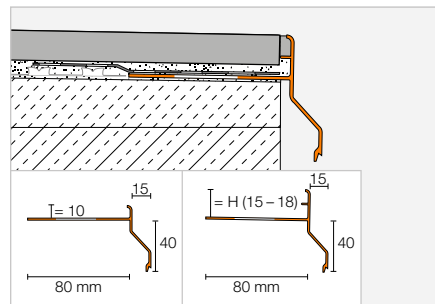
## Randprofiel

### Schlüter®-BARA-RKK



Schlüter-BARA-RKK is een T-vormig afsluitprofiel met korte druiprand voor de toepassing op een al op afschot aangebrachte dekvloer. Het is geschikt voor de constructieopbouw met contactafdichting Schlüter-DITRA. Door de gesloten rand behoudt men een keurige tegelafsluiting.

(Productdatablad 5.24)



### Schlüter®-BARA-RKK

Alu. met kleurcoating

H (mm)	L = 2,50 m Art.-No.	€ / m	KV (st.)
10	RKK 10 ...*	<b>33,11</b>	40
15	RKK 15 ...*	<b>34,38</b>	40
18	RKK 18 ...*	<b>35,39</b>	40



## Hoek | Verbindingsstuk

### Schlüter®-BARA-RKK/E 90°

Buitenhoek 90°

H (mm)	Art.-No.	€ / St.	P (st.)
10	E90 / RKK 10 ...*	<b>48,52</b>	10
15	E90 / RKK 15 ...*	<b>48,52</b>	10
18	E90 / RKK 18 ...*	<b>48,52</b>	10

### Schlüter®-BARA-RKK/E 135°

Buitenhoek 135°

H (mm)	Art.-No.	€ / St.	P (st.)
10	E135 / RKK 10 ...*	<b>48,52</b>	10
15	E135 / RKK 15 ...*	<b>48,52</b>	10
18	E135 / RKK 18 ...*	<b>48,52</b>	10

### Schlüter®-BARA-RKK/I 90°

Binnenhoek 90°

H (mm)	Art.-No.	€ / St.	P (st.)
10	I90 / RKK 10 ...*	<b>48,52</b>	10
15	I90 / RKK 15 ...*	<b>48,52</b>	10
18	I90 / RKK 18 ...*	<b>48,52</b>	10

### Schlüter®-BARA-RKK/V

Verbindingsstuk

H (mm)	Art.-No.	€ / St.	P (st.)
10	V / RKK 10 ...*	<b>3,73</b>	50
15	V / RKK 15 ...*	<b>3,73</b>	50
18	V / RKK 18 ...*	<b>3,73</b>	50



### Art.-No. kleur toevoegen (bijv. V / RKK 10 SB)



\* Kleuren: AG - BW - GM - PG - SB

Een overzicht van de oppervlakken en kleuren vindt u vanaf pagina 340.



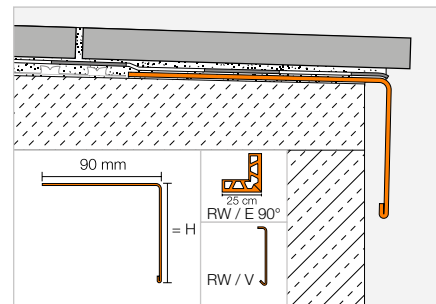
## Randprofiel

## Schlüter®-BARA-RW



Schlüter-BARA-RW is een hoekvormig afsluitprofiel van roestvast staal of kleurgecoat aluminium en is bedoeld voor de begrenzing van de onafgewerkte randen van balkons en terrassen.

(Productdatablad 5.3)



## Schlüter®-BARA-RW



Alu. met kleurcoating

H (mm)	L = 2,50 m Art.-No.	€ / m	KV (st.)
15	RW 15 ...*	20,93	40
25	RW 25 ...*	22,17	40
30	RW 30 ...*	22,73	40
40	RW 40 ...*	24,48	40
55	RW 55 ...*	26,67	40
75	RW 75 ...*	29,70	40
95	RW 95 ...*	32,74	40
120	RW 120 ...*	41,01	40
150	RW 150 ...*	45,60	40

## Schlüter®-BARA-RW-E



Roestvast staal V2A

H (mm)	L = 2,50 m Art.-No.	€ / m	KV (st.)
15	RW 15 E	33,97	40
25	RW 25 E	35,30	40
30	RW 30 E	37,20	40
40	RW 40 E	39,22	40
55	RW 55 E	43,11	40
75	RW 75 E	48,43	40
95	RW 95 E	53,62	40
120	RW 120 E	60,21	40
150	RW 150 E	68,10	40

## Hoek | Verbindingsstuk

## Schlüter®-BARA-RW/E 90°

Buitenhoek 90° alu. met kleurcoating

H (mm)	Art.-No.	€ / St.	P (st.)
15	E90 / RW 15 ...*	28,94	10
25	E90 / RW 25 ...*	29,63	10
30	E90 / RW 30 ...*	30,29	10
40	E90 / RW 40 ...*	30,97	10
55	E90 / RW 55 ...*	32,39	10
75	E90 / RW 75 ...*	34,10	10
95	E90 / RW 95 ...*	35,86	10
120	E90 / RW 120 ...*	49,13	10
150	E90 / RW 150 ...*	51,77	10

## Schlüter®-BARA-RW-E/E 90°

Buitenhoek 90° roestvast staal V2A

H (mm)	Art.-No.	€ / St.	P (st.)
15	E90 / RW 15 E	41,40	10
25	E90 / RW 25 E	42,30	10
30	E90 / RW 30 E	43,56	10
40	E90 / RW 40 E	44,93	10
55	E90 / RW 55 E	47,57	10
75	E90 / RW 75 E	51,11	10
95	E90 / RW 95 E	63,87	10
120	E90 / RW 120 E	68,18	10
150	E90 / RW 150 E	73,45	10

## Schlüter®-BARA-RW/V

Verbindingsstuk alu. met kleurcoating

H (mm)	Art.-No.	€ / St.	P (st.)
15	V / RW 15 ...*	6,39	50
25	V / RW 25 ...*	6,39	50
30	V / RW 30 ...*	6,39	50
40	V / RW 40 ...*	6,39	50
55	V / RW 55 ...*	6,39	50
75	V / RW 75 ...*	7,62	50
95	V / RW 95 ...*	7,62	50
120	V / RW 120 ...*	7,62	50
150	V / RW 150 ...*	7,62	50

## Schlüter®-BARA-RW-E/V

Verbindingsstuk roestvast staal V2A

H (mm)	Art.-No.	€ / St.	P (st.)
15	V / RW 15 E	7,63	50
25	V / RW 25 E	7,63	50
30	V / RW 30 E	7,63	50
40	V / RW 40 E	7,63	50
55	V / RW 55 E	7,63	50
75	V / RW 75 E	9,12	50
95	V / RW 95 E	9,12	50
120	V / RW 120 E	9,12	50
150	V / RW 150 E	9,12	50

Art.-No. kleur toevoegen (bijv. V / RW 15 PG)



\* Kleuren: AG - BW - GM - PG - SB

Een overzicht van de oppervlakken en kleuren vindt u vanaf pagina 340.



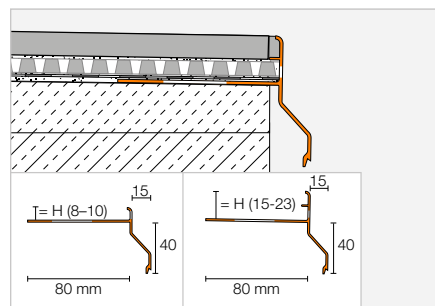
## Randprofiel

### Schlüter®-BARA-RKKE



Schlüter-BARA-RKKE is een T-vormig afsluitprofiel met korte druiprand voor de toepassing op een al op afschot aangebrachte dekvloer. Het profiel BARA-RKKE is bijzonder geschikt voor de constructieopbouw met hechtende drainage Schlüter-DITRA-DRAIN. Door de geperforeerde rand behoudt men een keurige tegelafsluiting.

(Productdatablad 5.24)



### Schlüter®-BARA-RKKE

Alu. met kleurcoating

H (mm)	L = 2,50 m Art.-No.	€ / m	KV (st.)
8	RKKE 8 ...*	41,59	40
10	RKKE 10 ...*	42,48	40
15	RKKE 15 ...*	44,46	40
18	RKKE 18 ...*	46,23	40
21	RKKE 21 ...*	48,67	40
23	RKKE 23 ...*	50,37	40



#### Opmerking:

De profielhoogtes 21 en 23 mm zijn bedoeld voor gebruik met Schlüter-DITRA-DRAIN 8.

## Hoek | Verbindingsstuk

### Schlüter®-BARA-RKKE/E 90°

Buitenhoek 90°

H (mm)	Art.-No.	€ / St.	P (st.)
8	E90 / RKKE 8 ...*	53,70	10
10	E90 / RKKE 10 ...*	53,70	10
15	E90 / RKKE 15 ...*	53,70	10
18	E90 / RKKE 18 ...*	53,70	10
21	E90 / RKKE 21 ...*	53,70	10
23	E90 / RKKE 23 ...*	53,70	10

### Schlüter®-BARA-RKKE/E 135°

Buitenhoek 135°

H (mm)	Art.-No.	€ / St.	P (st.)
8	E135 / RKKE 8 ...*	53,70	10
10	E135 / RKKE 10 ...*	53,70	10
15	E135 / RKKE 15 ...*	53,70	10
18	E135 / RKKE 18 ...*	53,70	10
21	E135 / RKKE 21 ...*	53,70	10
23	E135 / RKKE 23 ...*	53,70	10

### Schlüter®-BARA-RKKE/I 90°

Binnenhoek 90°

H (mm)	Art.-No.	€ / St.	P (st.)
8	I90 / RKKE 8 ...*	53,70	10
10	I90 / RKKE 10 ...*	53,70	10
15	I90 / RKKE 15 ...*	53,70	10
18	I90 / RKKE 18 ...*	53,70	10
21	I90 / RKKE 21 ...*	53,70	10
23	I90 / RKKE 23 ...*	53,70	10

### Schlüter®-BARA-RKK/V

Verbindingsstuk

H (mm)	Art.-No.	€ / St.	P (st.)
8	V / RKK 8 ...*	3,73	50
10	V / RKK 10 ...*	3,73	50
15	V / RKK 15 ...*	3,73	50
18	V / RKK 18 ...*	3,73	50
21	V / RKK 21 ...*	3,73	50
23	V / RKK 23 ...*	3,73	50



#### Art.-No. kleur toevoegen (bijv. V / RKK 8 PG)



\* Kleuren: GM - PG - SB

Een overzicht van de oppervlakken en kleuren vindt u vanaf pagina 340.

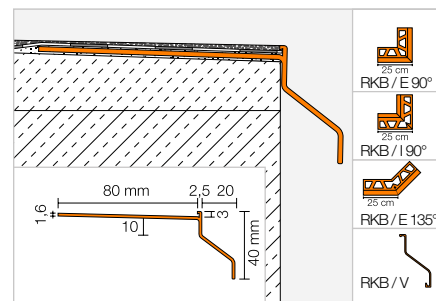
## Randprofiel



## Schlüter®-BARA-RKB



Schlüter-BARA-RKB is een T-vormig afsluit-profiel voor coatings. Het voorste afsluitvlak beschikt over een vooruitstekende druiprand. (Productdatablad 5.18)



## Schlüter®-BARA-RKB

Alu. met kleurcoating

L = 2,50 m Art.-No.	€ / m	KV (st.)
RKB 3 ...*	29,94	40



## Hoek | Verbindingsstuk

## Schlüter®-BARA-RKB/E 90°

Buitenhoek 90°

Art.-No.	€ / St.	P (st.)
E90 / RKB 3 ...*	40,09	10

## Schlüter®-BARA-RKB/E 135°

Buitenhoek 135°

Art.-No.	€ / St.	P (st.)
E135 / RKB 3 ...*	41,80	10

## Schlüter®-BARA-RKB/I 90°

Binnenhoek 90°

Art.-No.	€ / St.	P (st.)
I90 / RKB 3 ...*	40,09	10

## Schlüter®-BARA-RKB/V

Verbindingsstuk

Art.-No.	€ / St.	P (st.)
V / RKB 3 ...*	3,73	50



## Art.-No. kleur toevoegen (bijv. V / RKB 3 GM)



\* Kleuren: AG - BW - GM - PG - SB

Een overzicht van de oppervlakken en kleuren vindt u vanaf pagina 340.

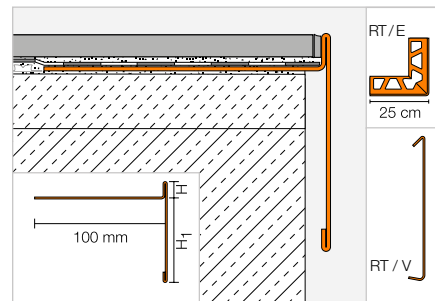


## Randprofiel

### Schlüter®-BARA-RT



Schlüter-BARA-RT is een T-vormig randprofiel van kleurgecoat aluminium voor het begrenzen van de open randruimte aan balkons en terrassen. Het bovenste afsluitvlak dekt de rand van de bekleding af, het onderste vormt een druiprand en verbergt eventueel de overgangsruimte naar de TROBA-oppervlakedrainage. (Productdatablad 5.19)



### Schlüter®-BARA-RT



Alu. met kleurcoating

H/H1 (mm)	L = 2,50 m Art.-No.	€ / m	KV (st.)
9/60	RT 9/60 ...*	40,34	40
12/16	RT 12/16 ...*	35,30	40
12/65	RT 12/65 ...*	40,34	40
20/50	RT 20/50 ...*	40,34	40
25/40	RT 25/40 ...*	40,34	40
30/35	RT 30/35 ...*	41,09	40

## Hoek | Verbindingsstuk

### Schlüter®-BARA-RT/E 90°

Buitenhoek 90°

H/H1 (mm)	Art.-No.	€ / St.	P (st.)
9/60	E90 / RT 9/60 ...*	44,37	10
12/16	E90 / RT 12/16 ...*	40,52	10
12/65	E90 / RT 12/65 ...*	44,37	10
20/50	E90 / RT 20/50 ...*	44,37	10
25/40	E90 / RT 25/40 ...*	44,37	10
30/35	E90 / RT 30/35 ...*	44,63	10

### Schlüter®-BARA-RT/V

Verbindingsstuk

H/H1 (mm)	Art.-No.	€ / St.	P (st.)
9/60	V / RT 9/60 ...*	7,62	50
12/16	V / RT 12/16 ...*	6,39	50
12/65	V / RT 12/65 ...*	7,62	50
20/50	V / RT 20/50 ...*	7,62	50
25/40	V / RT 25/40 ...*	7,62	50
30/35	V / RT 30/35 ...*	7,62	50

### Art.-No. kleur toevoegen (bijv. V / RT 9/60 GM)



\* Kleuren: AG - BW - GM - PG - SB

Een overzicht van de oppervlakken en kleuren vindt u vanaf pagina 340.



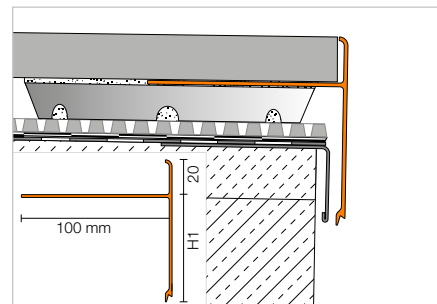
## Randprofiel

## Schlüter®-BARA-RTC



Schlüter-BARA-RTC is een T-vormig afsluitprofiel van kleurgecoat aluminium om open randen van balkons en terrassen af te dekken. Het is bij uitstek geschikt om tegels van 20 mm in combinatie met tegeldragers van de Schlüter-TROBA-serie te plaatsen. Het bovenste afsluitvlak beschermt de rand van de tegels terwijl het onderste afsluitvlak de verhoogde opbouw afdekt en als druiprand dient.

(Productdatablad 5.19)



## Schlüter®-BARA-RTC

Alu. met kleurcoating

H/H1 (mm)	L = 2,50 m Art.-No.	€ / m	KV (st.)
20/20	RTC 20/20 ...*	<b>35,36</b>	40
20/40	RTC 20/40 ...*	<b>37,41</b>	40
20/50	RTC 20/50 ...*	<b>41,51</b>	40
20/60	RTC 20/60 ...*	<b>43,05</b>	40
20/80	RTC 20/80 ...*	<b>45,10</b>	40
20/100	RTC 20/100 ...*	<b>49,20</b>	40

## Hoek | Verbindingsstuk

## Schlüter®-BARA-RTC/E 90°

Buitenhoek 90°

H/H1 (mm)	Art.-No.	€ / St.	P (st.)
20/20	E90 / RTC 20/20 ...*	<b>51,25</b>	10
20/40	E90 / RTC 20/40 ...*	<b>53,30</b>	10
20/50	E90 / RTC 20/50 ...*	<b>54,33</b>	10
20/60	E90 / RTC 20/60 ...*	<b>55,35</b>	10
20/80	E90 / RTC 20/80 ...*	<b>57,40</b>	10
20/100	E90 / RTC 20/100 ...*	<b>59,45</b>	10

## Schlüter®-BARA-RTC/V

Verbindingsstuk

H/H1 (mm)	Art.-No.	€ / St.	P (st.)
20/20	V / RTC 20/20 ...*	<b>7,18</b>	50
20/40	V / RTC 20/40 ...*	<b>7,18</b>	50
20/50	V / RTC 20/50 ...*	<b>7,18</b>	50
20/60	V / RTC 20/60 ...*	<b>7,18</b>	50
20/80	V / RTC 20/80 ...*	<b>7,18</b>	50
20/100	V / RTC 20/100 ...*	<b>7,18</b>	50

 Klantspecifieke hoeken verkrijgbaar  
Meer info op pagina 339.

## Art.-No. kleur toevoegen (bijv. V / RTC 20/20 BW)



\* Kleuren: AG - BW - GM - PG - SB

Een overzicht van de oppervlakken en kleuren vindt u vanaf pagina 340.

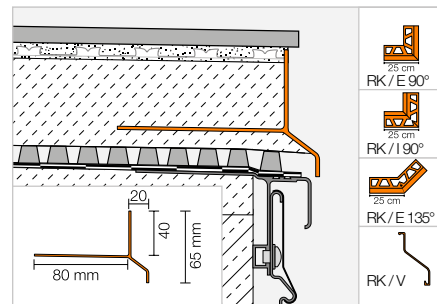


## Randprofiel

### Schlüter®-BARA-RK



Schlüter-BARA-RK is een T-vormig afsluitprofiel. Door de vooruitstekende druiprand wordt de open ruimte naar de TROBA-oppervlakte-drainage afgedekt.  
(Productdatablad 5.4)



#### Schlüter®-BARA-RK

Alu. met kleurcoating

L = 2,50 m Art.-No.	€ / m	KV (st.)
RK 65 ...*	32,86	40



## Hoek | Verbindingsstuk

#### Schlüter®-BARA-RK/E 90°

Buitenhoek 90°

Art.-No.	€ / St.	P (st.)
E90 / RK 65 ...*	43,22	10

#### Schlüter®-BARA-RK/E 135°

Buitenhoek 135°

Art.-No.	€ / St.	P (st.)
E135 / RK 65 ...*	47,67	10

#### Schlüter®-BARA-RK/I 90°

Binnenhoek 90°

Art.-No.	€ / St.	P (st.)
I90 / RK 65 ...*	43,22	10

#### Schlüter®-BARA-RK/V

Verbindingsstuk

Art.-No.	€ / St.	P (st.)
V / RK 65 ...*	3,73	50



#### Art.-No. kleur toevoegen (bijv. V / RK 65 GM)



\* Kleuren: BW - GM - PG - SB

Een overzicht van de oppervlakken en kleuren vindt u vanaf pagina 340.

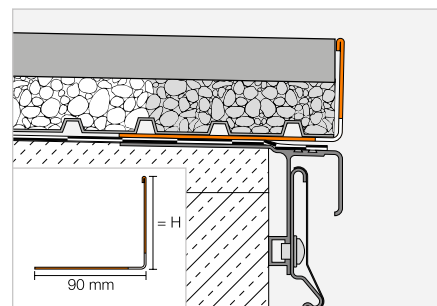
## Randprofiel

## Schlüter®-BARA-RWL



Schlüter-BARA-RWL is een uit kleurgecoat aluminium vervaardigd randprofiel met afwateringsopeningen voor de randen van balkons en terrassen. Het is uitermate geschikt voor de afsluiting van balkon- en terrasvloeren die los op grind of op tegel dragers worden gelegd.

(Productdatablad 5.15)



## Schlüter®-BARA-RWL



Alu. met kleurcoating

H (mm)	L = 2,50 m Art.-No.	€ / m	KV (st.)
15	RWL 15 ...*	20,93	40
25	RWL 25 ...*	22,17	40
30	RWL 30 ...*	22,73	40
40	RWL 40 ...*	24,48	40
55	RWL 55 ...*	26,67	40
75	RWL 75 ...*	29,70	40
95	RWL 95 ...*	32,74	40
120	RWL 120 ...*	41,01	40
150	RWL 150 ...*	45,60	40

**Opmerking:**

Voor passende buitenhoeken en verbindingstukken zie Schlüter-BARA-RW.

## Art.-No. kleur toevoegen (bijv. RWL 15 PG)



\* Kleuren: AG - BW - GM - PG - SB

Een overzicht van de oppervlakken en kleuren vindt u vanaf pagina 340.

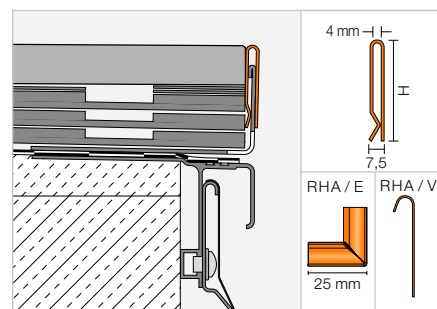
## Randprofiel

## Schlüter®-BARA-RHA



Schlüter-BARA-RHA is een in hoogte verstelbaar afdekprofiel van kleurgecoat aluminium. Het dekt in combinatie met de bijbehorende draagprofielen, bijv. BARA-RWL of BARA-RKL, de vrije randen van balkons en terrassen af. Met dit afdekprofiel kunnen opbouwhoogtes tot 220 mm worden gerealiseerd.

(Productdatablad 5.16)



## Schlüter®-BARA-RHA

Alu. met kleurcoating

H (mm)	L = 2,50 m Art.-No.	€ / m	KV (st.)
50	RHA 50 ...*	27,60	40
90	RHA 90 ...*	29,99	40

**Opmerking:**

De draagprofielen zijn apart te bestellen.

## Hoek | Verbindingsstuk

## Schlüter®-BARA-RHA/E 90°

Buitenhoek 90°

H (mm)	Art.-No.	€ / St.	P (st.)
50	E90 / RHA 50 ...*	14,71	10
90	E90 / RHA 90 ...*	14,71	10

## Schlüter®-BARA-RHA/V

Verbindingsstuk

H (mm)	Art.-No.	€ / St.	P (st.)
50	V / RHA 50 ...*	8,83	50
90	V / RHA 90 ...*	8,83	50

## Art.-No. kleur toevoegen (bijv. V / RHA 50 SB)



\* Kleuren: GM - PG - SB

Een overzicht van de oppervlakken en kleuren vindt u vanaf pagina 340.



# Schlüter®-BARA-RKL 35

## Afsluitprofiel voor balkons en terrassen

- ✓ Speciaal voor 2 cm dikke keramische elementen en natuursteen ontwikkeld
- ✓ Het 35 mm hoge afsluitvlak dekt de tegelrand en de drainage af
- ✓ Afwateringsopeningen en druiprand
- ✓ Toebehoren: binnenhoeken, buitenhoeken (90°/135°) en verbindingstuk
- ✓ Geschikt voor het afsluiten van bekledingen op Schlüter-TROBA-LEVEL



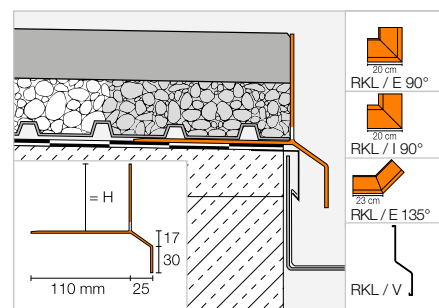
### Randprofiel



### Schlüter®-BARA-RKL



Schlüter-BARA-RKL is een hoekvormig randprofiel met afwateringsopeningen uit kleurgecoat aluminium. Het leent zich voor grootformaat plaatelementen die naar keuze op lagen ongebonden grind/split of op tegel-dragers worden gelegd. (Productdatablad 5.20)



### Schlüter®-BARA-RKL

Alu. met kleurcoating

H (mm)	L = 2,50 m Art.-No.	€ / m	KV (st.)
30	RKL 30 ...*	<b>53,56</b>	40
35	RKL 35 ...*	<b>56,15</b>	40
40	RKL 40 ...*	<b>58,76</b>	40
50	RKL 50 ...*	<b>60,30</b>	40
75	RKL 75 ...*	<b>63,39</b>	40

#### Opmerking:

Schlüter-BARA-RKL 35 en 40 zijn bijzonder geschikt voor 2 cm dikke tegelementen.





## Hoek | Verbindingsstuk

## Schlüter®-BARA-RKL/E 90°

Buitenhoek 90°

H (mm)	Art.-No.	€ / St.	P (st.)
30	E90 / RKL 30 ...*	<b>86,05</b>	10
35	E90 / RKL 35 ...*	<b>86,05</b>	10
40	E90 / RKL 40 ...*	<b>86,05</b>	10
50	E90 / RKL 50 ...*	<b>86,05</b>	10
75	E90 / RKL 75 ...*	<b>86,05</b>	10

## Schlüter®-BARA-RKL/E 135°

Buitenhoek 135°

H (mm)	Art.-No.	€ / St.	P (st.)
30	E135 / RKL 30 ...*	<b>86,05</b>	10
35	E135 / RKL 35 ...*	<b>86,05</b>	10
40	E135 / RKL 40 ...*	<b>86,05</b>	10
50	E135 / RKL 50 ...*	<b>86,05</b>	10
75	E135 / RKL 75 ...*	<b>86,05</b>	10

## Schlüter®-BARA-RKL/I 90°

Binnenhoek 90°

H (mm)	Art.-No.	€ / St.	P (st.)
30	I90 / RKL 30 ...*	<b>86,05</b>	10
35	I90 / RKL 35 ...*	<b>86,05</b>	10
40	I90 / RKL 40 ...*	<b>86,05</b>	10
50	I90 / RKL 50 ...*	<b>86,05</b>	10
75	I90 / RKL 75 ...*	<b>86,05</b>	10

## Schlüter®-BARA-RKL/V

Verbindingsstuk

H (mm)	Art.-No.	€ / St.	P (st.)
30	V / RKL 30 ...*	<b>7,16</b>	50
35	V / RKL 35 ...*	<b>7,16</b>	50
40	V / RKL 40 ...*	<b>7,16</b>	50
50	V / RKL 50 ...*	<b>7,16</b>	50
75	V / RKL 75 ...*	<b>7,16</b>	50



Art.-No. kleur toevoegen (bijv. V / RKL 30 GM)

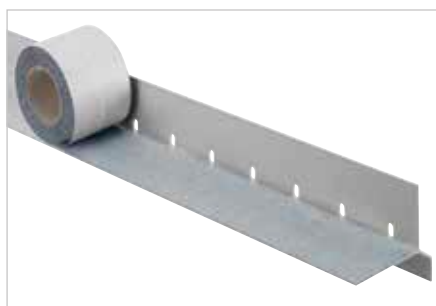


\* Kleuren: AG - BW - GM - PG - SB

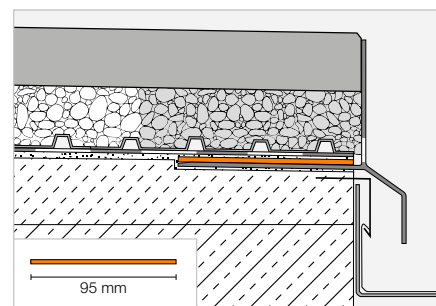
Een overzicht van de oppervlakken en kleuren vindt u vanaf pagina 340.

## Hechtvlies

## Schlüter®-BARA-HV



Schlüter-BARA-HV is een hechting bevorderende kleefband uit polyethyleen met een vliesmateriaal aan de bovenkant en een zelfklevende butyllaag aan de onderkant. Hij is geschikt voor het maken van een kleefflens om de contactafdichting Schlüter-KERDI aan een randafsluiting met Schlüter-BARA-RKL betrouwbaar af te dichten. (Productdatablad 5.20)



## Schlüter®-BARA-HV

Zelfklevend hechtvlies

B (mm)	Rol = 5 m Art.-No.	€ / m	P (rol)
95	HVL 95 / 5M	<b>7,92</b>	10

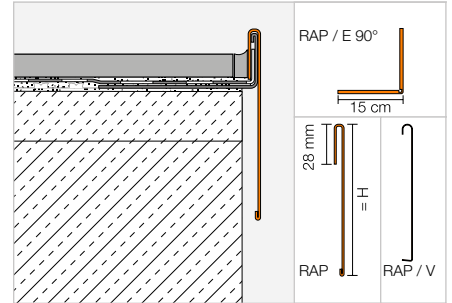


## Randprofiel | Hoek | Verbindingsstuk

### Schlüter®-BARA-RAP



Schlüter-BARA-RAP is een afdekprofiel van kleurgecoat aluminium. Het dekt in combinatie met het draagprofiel Schlüter-BARA-RW de vrije (zijdelingse) randen van balkons en terrassen af.  
(Productdatablad 5.17)



#### Schlüter®-BARA-RAP

Alu. met kleurcoating

H (mm)	L = 2,50 m Art.-No.	€ / m	KV (st.)
75	RAP 75 PG	<b>28,16</b>	40
86	RAP 90 PG	<b>29,25</b>	40
110	RAP 110 PG	<b>30,72</b>	40

#### Opmerking:

Het draagprofiel Schlüter-BARA-RW is apart te bestellen.

#### Schlüter®-BARA-RAP/E 90°

Buitenhoek 90° alu. met kleurcoating

H (mm)	Art.-No.	€ / St.	P (st.)
75	E90 / RAP 75 PG	<b>32,81</b>	10
86	E90 / RAP 90 PG	<b>34,04</b>	10
110	E90 / RAP 110 PG	<b>35,20</b>	10

#### Verkrijgbare kleurcoating:

PG

Kleuren: PG

Een overzicht van de oppervlakken en kleuren vindt u vanaf pagina 340.

#### Schlüter®-BARA-RAP/V

Verbindingsstuk alu. met kleurcoating

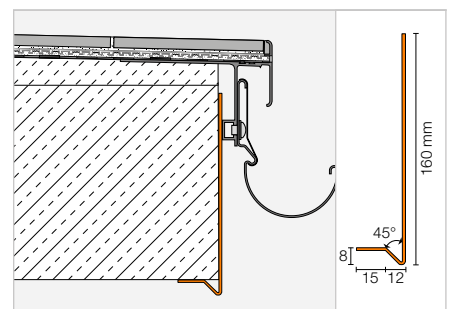
H (mm)	Art.-No.	€ / St.	P (st.)
75	V / RAP 75 PG	<b>7,62</b>	50
86	V / RAP 90 PG	<b>7,62</b>	50
110	V / RAP 110 PG	<b>7,62</b>	50

## Randprofiel | Hoek

### Schlüter®-BARA-FAP



Schlüter-BARA-FAP is een profiel voor het afdekken van de voorzijde van vrij uitkragende balkons.  
(Productdatablad 5.23)



#### Schlüter®-BARA-FAP

Alu. met kleurcoating

L = 2,50 m Art.-No.	€ / m	KV (st.)
FAP 165 ...*	<b>43,89</b>	40

#### Schlüter®-BARA-FAP/E 90°

Buitenhoek 90°

Art.-No.	€ / St.	P (st.)
E90 / FAP 165 ...*	<b>43,61</b>	10

#### Art.-No. kleur toevoegen (bijv. E90 / FAP 165 GM)

BW GM PG SB

\* Kleuren: BW - GM - PG - SB

Een overzicht van de oppervlakken en kleuren vindt u vanaf pagina 340.



#### Opmerking:

Als verbindingstuk raden we de naadafdekking Schlüter-BARA-STU aan.

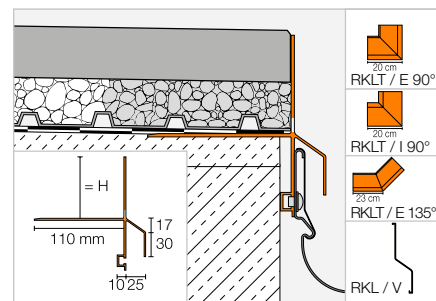
## Randprofiel voor gootbevestiging

## Schlüter®-BARA-RKLT



Schlüter-BARA-RKLT is een hoekvormig randprofiel met afwateringsopeningen uit kleurgecoat aluminium. Het leent zich voor grootformaat plaatenelementen die naar keuze op lagen ongebonden grind/split of op tegel dragers worden gelegd. BARA-RKLT beschikt over een T-vormige profielkamer voor de montage van het gootsysteem Schlüter-BARIN.

(Productdatablad 5.20)



## Schlüter®-BARA-RKLT

Alu. met kleurcoating

H (mm)	L = 2,50 m Art.-No.	€ / m	KV (st.)
30	RKLT 30 ...*	<b>63,94</b>	40
40	RKLT 40 ...*	<b>69,18</b>	40
50	RKLT 50 ...*	<b>70,74</b>	40
75	RKLT 75 ...*	<b>73,76</b>	40

## Hoek | Verbindingsstuk

## Schlüter®-BARA-RKLT/E 90°

Buitenhoek 90°

H (mm)	Art.-No.	€ / St.	P (st.)
30	E90 / RKLT 30 ...*	<b>89,86</b>	10
40	E90 / RKLT 40 ...*	<b>89,86</b>	10
50	E90 / RKLT 50 ...*	<b>89,86</b>	10
75	E90 / RKLT 75 ...*	<b>89,86</b>	10

## Schlüter®-BARA-RKLT/E 135°

Buitenhoek 135°

H (mm)	Art.-No.	€ / St.	P (st.)
30	E135 / RKLT 30 ...*	<b>89,86</b>	10
40	E135 / RKLT 40 ...*	<b>89,86</b>	10
50	E135 / RKLT 50 ...*	<b>89,86</b>	10
75	E135 / RKLT 75 ...*	<b>89,86</b>	10

## Schlüter®-BARA-RKLT/I 90°

Binnenhoek 90°

H (mm)	Art.-No.	€ / St.	P (st.)
30	I90 / RKLT 30 ...*	<b>89,86</b>	10
40	I90 / RKLT 40 ...*	<b>89,86</b>	10
50	I90 / RKLT 50 ...*	<b>89,86</b>	10
75	I90 / RKLT 75 ...*	<b>89,86</b>	10

## Schlüter®-BARA-RKL/V

Verbindingsstuk

H (mm)	Art.-No.	€ / St.	P (st.)
30	V / RKL 30 ...*	<b>7,16</b>	50
40	V / RKL 40 ...*	<b>7,16</b>	50
50	V / RKL 50 ...*	<b>7,16</b>	50
75	V / RKL 75 ...*	<b>7,16</b>	50

 Klantspecifieke hoeken verkrijgbaar  
Meer info op pagina 339.

## Art.-No. kleur toevoegen (bijv. V / RKL 30 PG)



\* Kleuren: GM - PG - SB

Een overzicht van de oppervlakken en kleuren vindt u vanaf pagina 340.



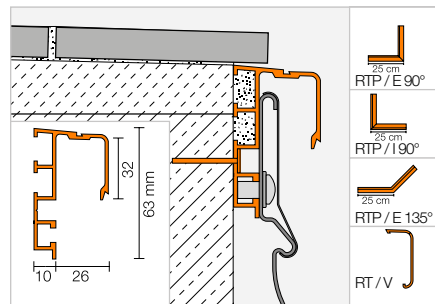
## Randprofiel voor gootbevestiging

### Schlüter®-BARA-RTP



Schlüter-BARA-RTP is een randprofiel voor de bevestiging van het gootsysteem Schlüter-BARIN, dat later aan de vrije rand van aanwezige balkon- of terrasconstructies kan worden aangebracht.

(Productdatablad 5.11)



### Schlüter®-BARA-RTP

Alu. met kleurcoating

L = 2,50 m Art.-No.	€ / m	KV (st.)
RTP 65 PG	36,19	40

## Hoek | Verbindingsstuk | Schroeven

### Schlüter®-BARA-RTP/E 90°

Buitenhoek 90°

Art.-No.	€ / St.	P (st.)
E90 / RTP 65 PG	46,73	10

### Schlüter®-BARA-RTP/E 135°

Buitenhoek 135°

Art.-No.	€ / St.	P (st.)
E135 / RTP 65 PG	51,42	10

### Schlüter®-BARA-RTP/I 90°

Binnenhoek 90°

Art.-No.	€ / St.	P (st.)
I90 / RTP 65 PG	46,73	10

### Schlüter®-BARA-RTK/V

Verbindingsstuk

Art.-No.	€ / St.	P (st.)
V / RT 30 PG	3,28	50

### Schlüter®-BARA-RTP/S

Speciale schroeven, incl. pluggen

Art.-No.	€ / Set	P (set)
RTPS 540	9,91	10

Set = 10 St.

### Verkrijgbare kleurcoating:

PG

Kleuren: PG

Een overzicht van de oppervlakken en kleuren vindt u vanaf pagina 340.



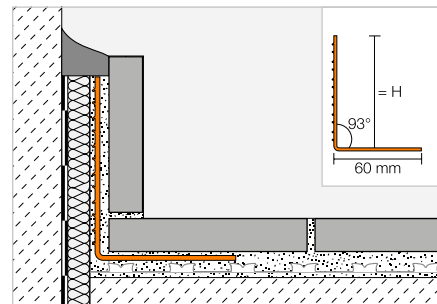


## Plindraagprofiel

## Schlüter®-BARA-ESOT



Schlüter-BARA-ESOT is een plindraagprofiel uit roestvast staal, dat kan toegepast worden, wanneer voor plinttegels geen draagkrachtige ondergrond voorhanden is.  
(Productdatablad 5.1)



## Schlüter®-BARA-ESOT

Roestvast staal V2A

H (mm)	L = 2,50 m Art.-No.	€ / m	KV (st.)
60	ESOT 60	19,97	60
110	ESOT 110	25,95	60

## Naadafdekking

## Schlüter®-BARA-STU



Schlüter-BARA-STU zijn dunne plaatstrips uit aluminium, die met een schaar op de juiste lengte kunnen worden gesneden en met Schlüter-KERDI-FIX als naadoverlapping van de BARA-profielserie kunnen worden verlijmd.

## Schlüter®-BARA-STU

Naadafdekking

Art.-No.	€ / St.	P (st.)
STU 335 ...*	2,37	10

Lengte = 30 cm  
Breedte = 35 mm  
Dikte = 0,5 mm

Art.-No. kleur toevoegen (bijv. STU 335 GM)



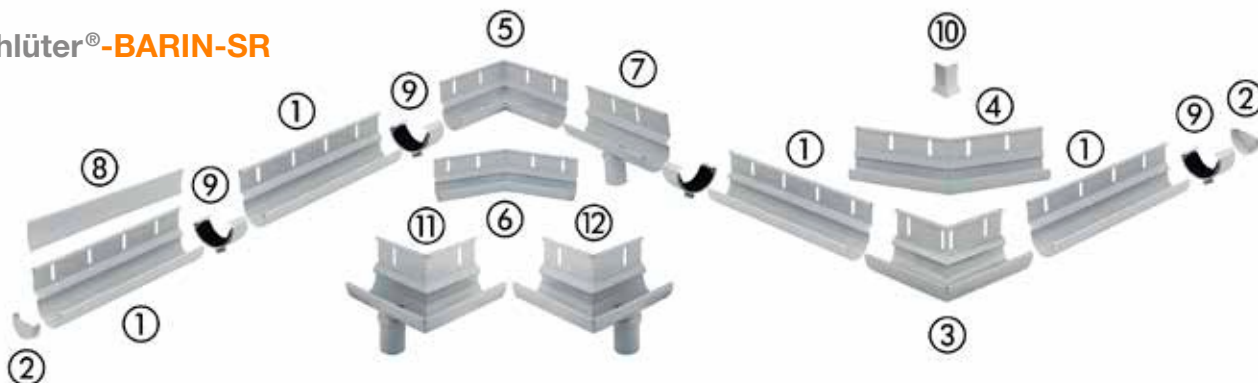
\* Kleuren: BW - GM - PG - SB

Een overzicht van de oppervlakken en kleuren vindt u vanaf pagina 340.



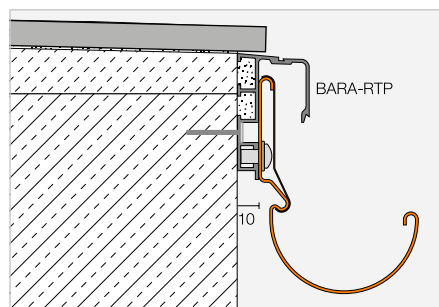
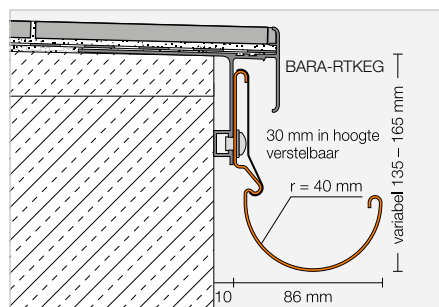
## Gootsysteem

### Schlüter®-BARIN-SR



Schlüter-BARIN-SR is een gootsysteem van kleurgecoat aluminium voor het afvoeren van balkon- en terraswater. Het laat zich bevestigen op de daartoe voorziene Schlüter-BARA profielen.

(Productdatablad 10.1)



#### Opmerking:

Kleine kleurafwijkingen tussen de individuele systeemelementen kunnen om materiaaltechnische redenen niet worden uitgesloten.

### Schlüter®-BARIN-SR-AC

Alu. met kleurcoating

Beschrijving	Art.-No.	€ / Set	KV (Set)
BARIN-set goot 2,50 m 1 gootelement 2,50 m ① telkens 1 afdekprofiel 2,50 + 0,50 m ⑧ 1 verbindingstuk ⑨ 8 schroeven	BSR4 R 250 ...*	<b>158,81</b>	60
BARIN-set goot 1,50 m 1 gootelement 1,50 m ① telkens 1 afdekprofiel 1,50 m + 0,50 m ⑧ 1 verbindingstuk ⑨ 4 schroeven	BSR4 R 150 ...*	<b>93,80</b>	60
BARIN-set eindstuk 2 eindstukken ② 2 verbindingstukken ⑨	BSR4 E 2 ...*	<b>32,64</b>	60
BARIN-set buitenhoek 90° 1 hoekelement ③ 2 verbindingstukken ⑨ 1 hoekafdekprofiel ⑩	BSR4 EWG 90 ...*	<b>107,13</b>	60
BARIN-set buitenhoek 90° met afvoer links 1 hoekelement ⑪ 2 verbindingstukken ⑨ 1 hoekafdekprofiel ⑩	BSR4 E90 L DN 60 ...*	<b>136,64</b>	60
BARIN-set buitenhoek 90° met afvoer rechts 1 hoekelement ⑫ 2 verbindingstukken ⑨ 1 hoekafdekprofiel ⑩	BSR4 E90 R DN 60 ...*	<b>136,64</b>	60
BARIN-set buitenhoek 135° 1 hoekelement ④ 2 verbindingstukken ⑨ 1 hoekafdekprofiel ⑩	BSR4 EWG 135 ...*	<b>107,13</b>	60
BARIN-set binnenhoek 90° 1 hoekelement ⑤ 2 verbindingstukken ⑨	BSR4 IWG 90 ...*	<b>107,13</b>	60
BARIN-set binnenhoek 135° 1 hoekelement ⑥ 2 verbindingstukken ⑨	BSR4 IWG 135 ...*	<b>107,13</b>	60
BARIN-set afvoerelement 1 gootelement 20 cm met afvoermidden ⑦ 2 verbindingstukken ⑨ 2 schroeven	BSR4 A DN 60 ...*	<b>49,04</b>	60

Art.-No. kleur toevoegen (bijv. BSR4 R 250 GM)



\* Kleuren: BW - GM - PG - SB

Een overzicht van de oppervlakken en kleuren vindt u vanaf pagina 340.

**Klantspecifieke hoeken verkrijgbaar**  
Meer info op pagina 339.

## Gootsysteem

## Schlüter®-BARIN-R

Schlüter-BARIN-R zijn buissystemen van kleurgecoat aluminium en bijbehorende vormelementen.

(Productdatablad 10.1)



De valbuizen zijn met een geïntegreerd verbindingsdeel uitgerust. Het opzetstuk (8) kan worden gebruikt om twee Schlüter-BARIN buissystemen zonder overgangsstuk (rest-stuk) te verbinden.



Schlüter-KERDI-DRAIN-SP-E spuwer uit roestvast staal zie pagina 302.

## Schlüter®-BARIN-R-AC

Alu. met kleurcoating

Beschrijving	Art.-No.	€ / St.	KV (st.)
Valbuis, 1,00 m Ø 60 mm ①	BR 100 DN 60 ...*	44,97	60
Valbuis, 2,50 m Ø 60 mm ①	BR 250 DN 60 ...*	103,30	60
Bocht 40° Ø 60 mm ③	BR B40 DN 60 ...*	51,65	60
Bocht 72° Ø 60 mm ④	BR B72 DN 60 ...*	51,65	60
Bocht 85° Ø 60 mm ⑤	BR B85 DN 60 ...*	51,65	60
T-stuk 72° Ø 60 mm ⑥	BR AZ DN 60 ...*	116,39	60
Opzetstuk ⑧	BR AM DN 60 ...*	29,89	60
Spuwer 25 cm Ø 50 mm ⑦ passend voor BARIN-SR afvoeren Ø 50 mm	BR SP25 DN 50 ...*	97,34	60
Spuwer 40 cm Ø 50 mm ⑦ passend voor BARIN-SR afvoeren Ø 50 mm	BR SP40 DN 50 ...*	105,62	60
Buisklemmen-set ② 2 buisklemmen bevestigingsschroef 100 mm	BR RS100 DN 60 ...*	20,73	60
Buisklemmen-set ② 2 buisklemmen bevestigingsschroef 200 mm	BR RS200 DN 60 ...*	22,37	60
bevestigingsschroef 200 mm voor buisklemmen	BR SS 200	5,36	60

Schlüter-BARIN-R-SK is een afvoerpijp afdek-kap om de aansluiting van Schlüter-BARIN buissystemen Ø 60 mm op de grondleiding af te dekken.

Schlüter-BARIN-R-AZ is een T-stuk om Schlüter-BARIN buissystemen Ø 60 mm aan te sluiten op bestaande afvoerbuizen Ø 110 mm (DN 100) van de dakafwatering.

## Schlüter®-BARIN-R-Z/-K

Zink / Koper

Beschrijving	Art.-No.	€ / St.	KV (st.)
Standleiding afdekcap zink Ø 60 / 116 mm ⑨	BR SK DN 60 / 116 Z	8,49	60
T-stuk zink, 85° Ø 110 / 60 mm (DN 100/60) ⑩	BR AZ DN 100 / 60 Z	121,22	60
T-stuk koper, 85° Ø 110 / 60 mm (DN 100/60) ⑩	BR AZ DN 100 / 60 K	136,64	60

Art.-No. kleur toevoegen (bijv. BR 100 DN 60 GM)



\* Kleuren: BW - GM - PG - SB

Een overzicht van de oppervlakken en kleuren vindt u vanaf pagina 340.



# Schlüter-verwerkingstips

## Voor uw dagelijkse werkzaamheden

Wie goed werk wil leveren, heeft goed gereedschap nodig. In dit hoofdstuk vindt u het passende gereedschap voor het leggen van ontkopelingsmatten, het buigen van radiusprofielen en voor onzichtbare inspectie-openingen. Natuurlijk alles in hoogwaardige Schlüter-kwaliteit.







## Revisiemagneten

Schlüter®-REMA 336

## Gereedschap

Schlüter®-RUMA 336

Schlüter®-TROWEL 336

Schlüter®-PROCUT-PSF 337

Schlüter®-PROCUT-TSM 337

## Reinigings- en polijstmiddel

Schlüter®-CLEAN-CP 337



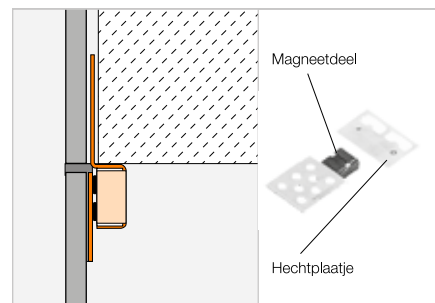
## Revisiemagneten

### Schlüter®-REMA



Schlüter-REMA is een systeem voor het nagenoeg onzichtbaar maken van inspectieluikjes in wandbetegelingen. Schlüter-REMA kan onafhankelijk van tegeldikte en formaat worden toegepast en biedt de mogelijkheid voor een perfecte aanpassing aan het voegpatroon.

(Productdatablad 11.1)



### Schlüter®-REMA

4 magneetdelen + 4 hechtplaatjes

Art.-No.	€ / Set	P (set)	KV (Set)
REMA	10,77	50	200

## Gereedschap

### Schlüter®-RUMA



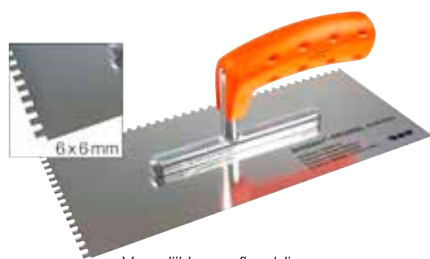
Schlüter-RUMA is een toestel om profielen die van een radiusperforatie zijn voorzien gelijkmatig te buigen.

### Schlüter®-RUMA

Buigmachine

Art.-No.	€ / St.
RM	434,15

### Schlüter®-TROWEL



Vergelijkbare afbeelding

Schlüter-TROWEL is een getande lijkdam met ergonomische softgrip voor moeiteloos verwerken. De vertanding is geschikt voor een efficiënte verlijming van Schlüter-DITRA, -KERDI en -DITRA-HEAT.

### Schlüter®-TROWEL

Getande lijkdam roestvast staal (280 mm x 130 mm)

Vertanding	Art.-No.	€ / St.	P (st.)
4 x 4	TRL 4X4	19,65	10
6 x 6	TRL 6X6	19,65	10

#### Opmerking:

Vertanding 4 x 4 voor Schlüter-DITRA, -DITRA-DRAIN 8, -DITRA-SOUND en -KERDI.

Vertanding 6 x 6 voor Schlüter-DITRA-DRAIN 4 en -DITRA-HEAT.

## Gereedschap

## Schlüter®-PROCUT-PSF



Schlüter-PROCUT-PSF is een profielschaar om snel en precies kunststof Schlüter-profielen met of zonder voegrib op maat te snijden.



## Schlüter®-PROCUT-PSF

Profielschaar voegrib

Art.-No.	€ / St.	P (st.)
PSF	75,11	10

## Schlüter®-PROCUT-PS-EK

Vervangstuk: vervangmes profielschaar

Art.-No.	€ / St.	P (st.)
PS 90 / 45 EK	27,88	10

## Schlüter®-PROCUT-PSF 10

Display met 10 profielscharen

Art.-No.	€ / Pakket
PSF 10	720,72

## Schlüter®-PROCUT-TSM



Schlüter-PROCUT-TSM is een slijpschijf met een diameter van 115 mm voor in de handel verkrijgbare haakse slijpmachines om netjes roestvast staal, aluminium en messing door te slijpen.

## Schlüter®-PROCUT-TSM

Slijpschijf

Art.-No.	€ / St.	P (st.)
TSM 115/1	10,82	10

## Reinigings- en polijstmiddel

## Schlüter®-CLEAN-CP



Schlüter-CLEAN-CP is een polish voor het reinigen van roestvaststalen profielen. Ook profielen uit aluminium, messing en andere materialen kunnen hiermee heel goed zuiver worden gemaakt.  
(Productdatablad 13.1)

## Schlüter®-CLEAN-CP

Reinigingspolish

Inhoud (ml)	Art.-No.	€ / St.	P (st.)
125	CPP 125	20,50	10



# Schlüter-profielen

De radiusperforatie maakt het verschil



Voor de bescherming van bekledingsafsluitingen met afgeronde randcontouren zijn diverse Schlüter-profielen uit metaal met speciale perforatie leverbaar, waardoor het profiel aan de contour van de bekledingsrand kan worden aangepast. Om productietechnische redenen kunnen producten met  $L = 1,00$  m niet worden voorzien van een speciale perforatie. Producten die met radiusperforatie kunnen worden geleverd, herkent u in de prijslijst aan volgend symbool:



Welke profielen met radiusperforatie leverbaar zijn, ziet u in volgende tabellen, die ook de overeenkomstige prijstoeslag weergeeft.

Buiging is met behulp van de buigmachine Schlüter-RUMA mogelijk met een radius van minstens ca. 1 m resp. 3 m. Schlüter-SCHIENE kan vanaf een hoogte van 6 mm worden gebogen, lagere profielhoogtes op aanvraag. Schlüter-BARA profielen kunnen niet met de buigmachine worden bewerkt.

Profiel	toeslag
<b>Buigradius <math>r = 1,00</math> m</b>	<b>€ / m</b>
Schlüter-JOLLY-A	3,33
Schlüter-SCHIENE-A	3,33
Schlüter-SCHIENE-AC / -TS	3,33
Schlüter-SCHIENE-AE	3,33
Schlüter-SCHIENE-AV	3,33
Schlüter-SCHIENE-E / -E V4A	3,33
Schlüter-SCHIENE-EB	3,33
Schlüter-SCHIENE-M	3,33
Schlüter-SCHIENE-STEP-EB	3,33

Profiel	toeslag
<b>Buigradius <math>r = 3,00</math> m</b>	<b>€ / m</b>
Schlüter-DECO-A	3,33
Schlüter-DECO-AE	3,33
Schlüter-DECO-AC	3,33
Schlüter-DECO-M	3,33
Schlüter-JOLLY-AC / -TS	3,33
Schlüter-JOLLY-AE	3,33
Schlüter-JOLLY-MC	3,33
Schlüter-QUADEC-A	3,33
Schlüter-QUADEC-AC / -TS	3,33
Schlüter-QUADEC-E / -E V4A	3,33
Schlüter-QUADEC-EP / -EB	3,33
Schlüter-RENO-AETK	3,33
Schlüter-RENO-ATK	3,33
Schlüter-RENO-MTK	3,33
Schlüter-RONDEC-A	3,33
Schlüter-RONDEC-AC / -TS	3,33
Schlüter-RONDEC-E / -E V4A	3,33
Schlüter-RONDEC-EP / -EB	3,33
Schlüter-SCHIENE-ES	3,33
Schlüter-BARA-RT	6,67
Schlüter-BARA-RW	6,67
Schlüter-BARA-RW-E	6,67
Schlüter-BARA-RWL	6,67

## Levering:

Om het artikelnummer van het profiel met speciale perforatie te krijgen, plaatst u gewoon een "R/" voor het artikelnummer van het standaardprofiel (bijv.: R / M 80 voor Schlüter-SCHIENE-M 80 in speciale perforatie).

De leveringstijd voor profielen in speciale perforatie bedraagt ca. 14 dagen.

De profielen worden in rechte toestand geleverd, waarbij vooral in roestvast staal een torsie door materiaalspanningen kan optreden.

Voor vragen of uw bestelling kunt u zich wenden tot uw verkoopmedewerker.



Om de profielen snel en netjes te buigen, gebruikt u onze buigmachine Schlüter-RUMA (zie pagina 336).



# Schlüter®-BARA en Schlüter®-BARIN

## Hoeken in speciale graden



De Schlüter-BARA profielen beschermen de randen van balkons en terrassen op verschillende manieren en zorgen voor de afwatering van de constructie. Het Schlüter-BARIN-SR gootsysteem biedt daarbij passende producten voor het afvoeren van water op balkons en terrassen.

Bouwprojecten zijn net zo uniek als onze klanten. Hiervoor biedt het BARA-/BARIN-assortiment diverse afsluit- en afwateringsmogelijkheden in standaard kleuren, RAL-kleuren uit het MyDesign-programma (BARA) en BARA- en BARIN-hoeken zowel in 90° en 135° als hoeken in speciale graden aan.



Welke BARA- en BARIN-hoeken in een speciale buiging leverbaar zijn, vindt u in de volgende tabellen. De varianten die in speciale RAL-kleuren verkrijgbaar zijn, worden ook aangeduid.

**\* MyDesign by Schlüter-Systems**

Individuele coating in  
190 RAL-Classic kleuren mogelijk.  
Meer info vanaf pagina 16.

### Speciale buitenhoek

Schlüter-BARA-RAK\*  
Schlüter-BARA-RAKE\*  
Schlüter-BARA-RAKEG\*  
Schlüter-BARA-RK\*  
Schlüter-BARA-RKB\*  
Schlüter-BARA-RKK\*  
Schlüter-BARA-RKKE\*  
Schlüter-BARA-RTC  
Schlüter-BARA-RKL\*  
Schlüter-BARA-RKLT  
Schlüter-BARA-RTK  
Schlüter-BARA-RTKE  
Schlüter-BARA-RTKEG  
Schlüter-BARIN-SR

### Speciale binnenhoek

Schlüter-BARA-RAK\*  
Schlüter-BARA-RAKE\*  
Schlüter-BARA-RAKEG\*  
Schlüter-BARA-RK\*  
Schlüter-BARA-RKB\*  
Schlüter-BARA-RKK\*  
Schlüter-BARA-RKKE\*  
Schlüter-BARA-RKL\*  
Schlüter-BARA-RKLT  
Schlüter-BARA-RTK  
Schlüter-BARA-RTKE  
Schlüter-BARA-RTKEG  
Schlüter-BARIN-SR

### Levering en prijs:

Om het artikelnummer van een speciale buiging te verkrijgen, vervangt u bij de standaard BARA-hoek de "E/" of "I/" door "ESO/" of "ISO/".

Bij de standaard BARIN-hoek vervangt u in het middelste deel van het artikelnummer de "standaard graden" door "SO" (bijv. BSR4 EWG 90 / BW door BSR4 EWG SO / BW).

Wenst u de speciale hoek ook in een MyDesign RAL-kleur, dan zet u vóór het artikelnummer nog gewoon "C".

### Voorbeelden:

Speciale hoek BARA-RAK:  
ESO / RAK 50 BW

Speciale hoek BARA-RAK in RAL:  
C / ESO / RAK 50 A

Om de prijs voor uw individuele BARA- of BARIN-hoek te bepalen, telt u 50% op bij de prijs van de desbetreffende standaard hoek in 90°. Moet de speciale hoek ook worden gecoat met een MyDesign RAL-kleur, dan wordt aanvullend de MyDesign-toeslag B (= € 6,47) berekend.

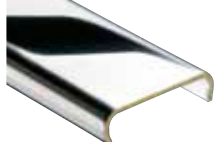
Voor vragen of uw bestelling kunt u zich wenden tot uw verkoopmedewerker.



# Metalen oppervlakken

## Overzicht van alle afwerkingen

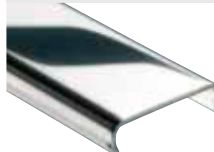
### Messing verchroomd



**MC**

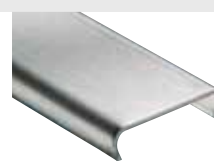
Messing verchroomd

### Roestvast staal



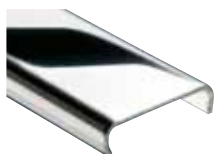
**E**

Roestvast staal  
V2A materiaal-nr. 1.4301 = AISI 304  
V4A materiaal-nr. 1.4404 = AISI 316L



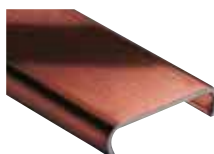
**EB**

Roestvast staal  
geborsteld



**EP**

Roestvast staal  
gepolijst



**EOB**

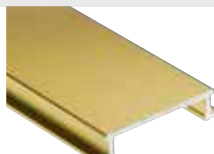
Roestvast staal  
olie ingewreven  
brons

### Aluminium mat geanodiseerd



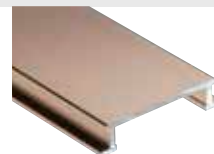
**AE**

Alu. bruut  
mat geanodiseerd



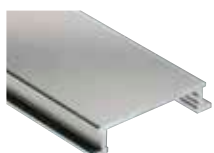
**AM**

Alu. messingkleurig  
mat geanodiseerd



**AK**

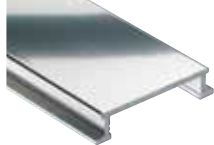
Alu. koperkleurig  
mat geanodiseerd



**AT**

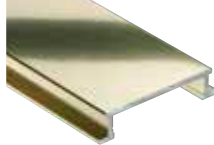
Alu. titanium  
mat geanodiseerd

### Aluminium glanzend geanodiseerd



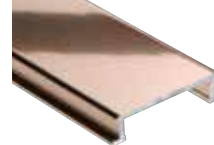
**ACG**

Alu. chroom  
glanzend  
geanodiseerd



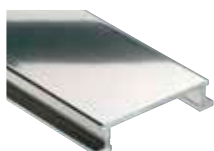
**AMG**

Alu. messing  
glanzend  
geanodiseerd



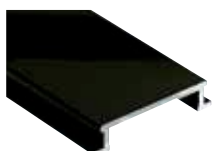
**AKG**

Alu. koper  
glanzend  
geanodiseerd



**ATG**

Alu. titanium  
glanzend  
geanodiseerd



**AGSG**

Alu. zwart  
glanzend  
geanodiseerd

### Schlüter-profielen: andere materialen

**A**  
Aluminium

**AC**  
Aluminium met kleurcoating

**Z**  
Zink

**M**  
Messing

**K**  
Koper

**P**  
PVC gekleurd

Aluminium geborsteld geanodiseerd



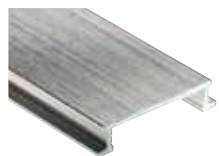
**ACGB**  
Alu. chroom  
geborsteld  
geanodiseerd



**AMGB**  
Alu. messing  
geborsteld  
geanodiseerd



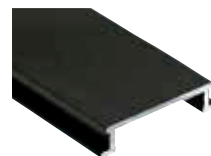
**AKGB**  
Alu. koper  
geborsteld  
geanodiseerd



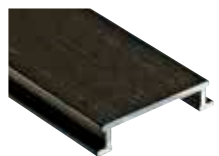
**ATGB**  
Alu. titanium  
geborsteld  
geanodiseerd



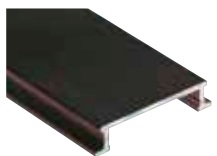
**AEEB**  
Alu. rvs-look  
geborsteld  
geanodiseerd



**AGRB**  
Alu. grafiet  
geborsteld  
geanodiseerd



**AGSB**  
Alu. grafietzwart  
geborsteld  
geanodiseerd



**ABGB**  
Alu. antiek brons  
geborsteld  
geanodiseerd

Aluminium kruiselings geschuurd geanodiseerd



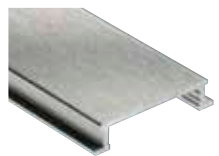
**AEX**  
Alu. bruto  
kruiselings  
geschuurd  
geanodiseerd



**AMX**  
Alu. messing  
kruiselings  
geschuurd  
geanodiseerd



**AQQX**  
Alu. kwartsgrijs  
kruiselings  
geschuurd  
geanodiseerd



**ATX**  
Alu. titanium  
kruiselings  
geschuurd  
geanodiseerd

Aluminium / roestvast staal met structuurcoating



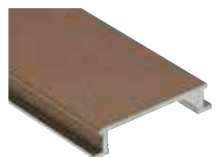
**TSI**  
structuur-gecoat  
ivoor



**TSC**  
structuur-gecoat  
crème



**TSBG**  
structuur-gecoat  
beigegrijs



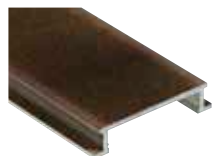
**TSB**  
structuur-gecoat  
beige



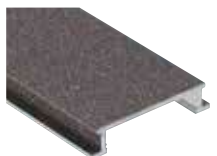
**TSSG**  
structuur-gecoat  
steengrijs



**TSG**  
structuur-gecoat  
grijs



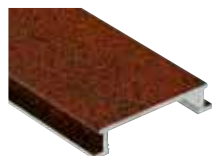
**TSOB**  
structuur-gecoat  
brons



**TSLA**  
structuur-gecoat  
licht antraciet



**TSDA**  
structuur-gecoat  
donker antraciet



**TSR**  
structuur-gecoat  
roestbruin

**Opmerking:**

Voor een betere en algemene voorstelling worden op deze pagina alle metalen oppervlakken op Schlüter-DESIGNLINE profielen getoond. Voor de werkelijke beschikbaarheid van de materialen verwijzen wij u naar de informatie van het desbetreffende product. Om druktechnische redenen kan de originele kleur niet exact worden weergegeven.



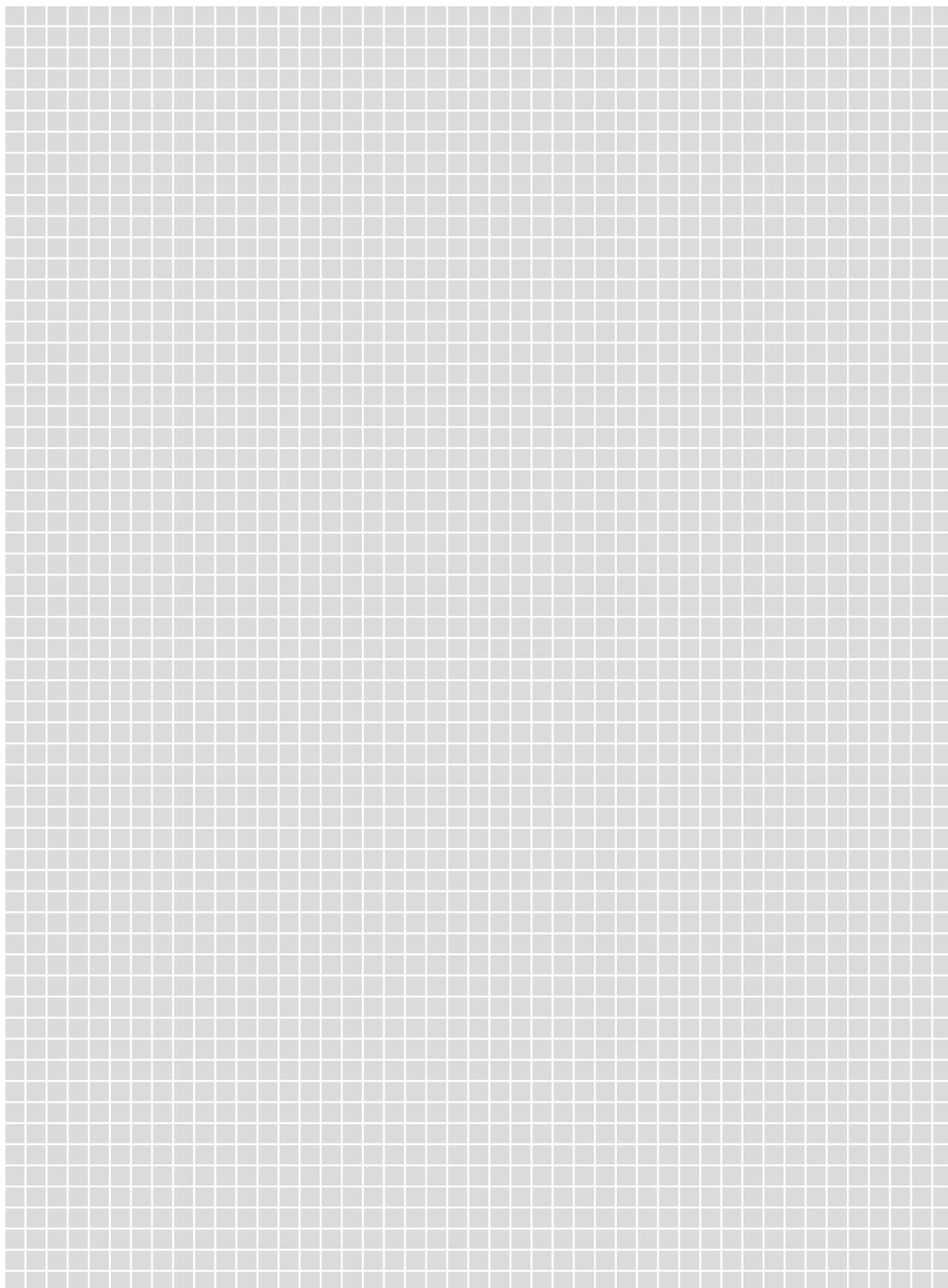
# Kleurcodes

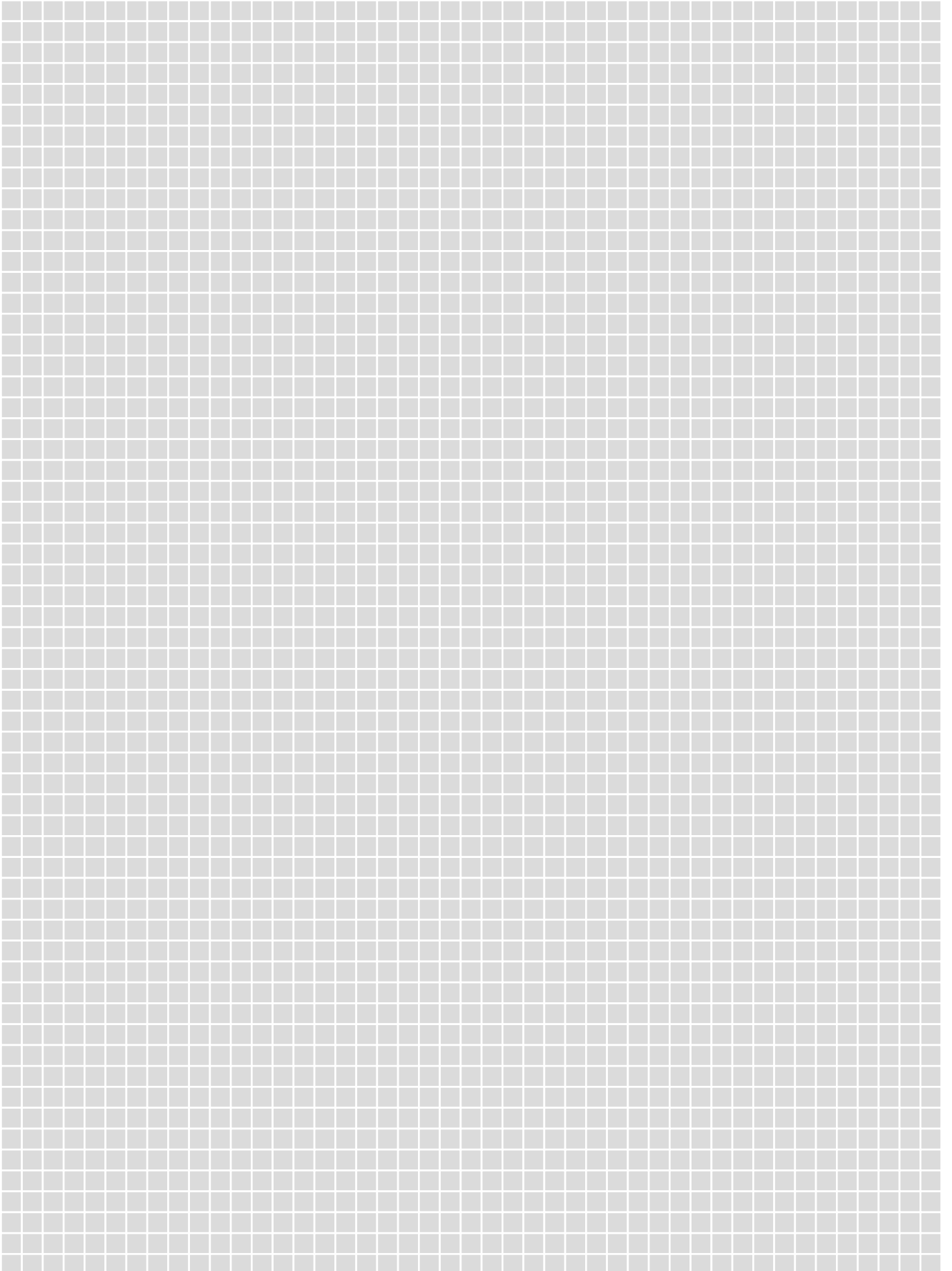
## Overzicht van alle kleuren

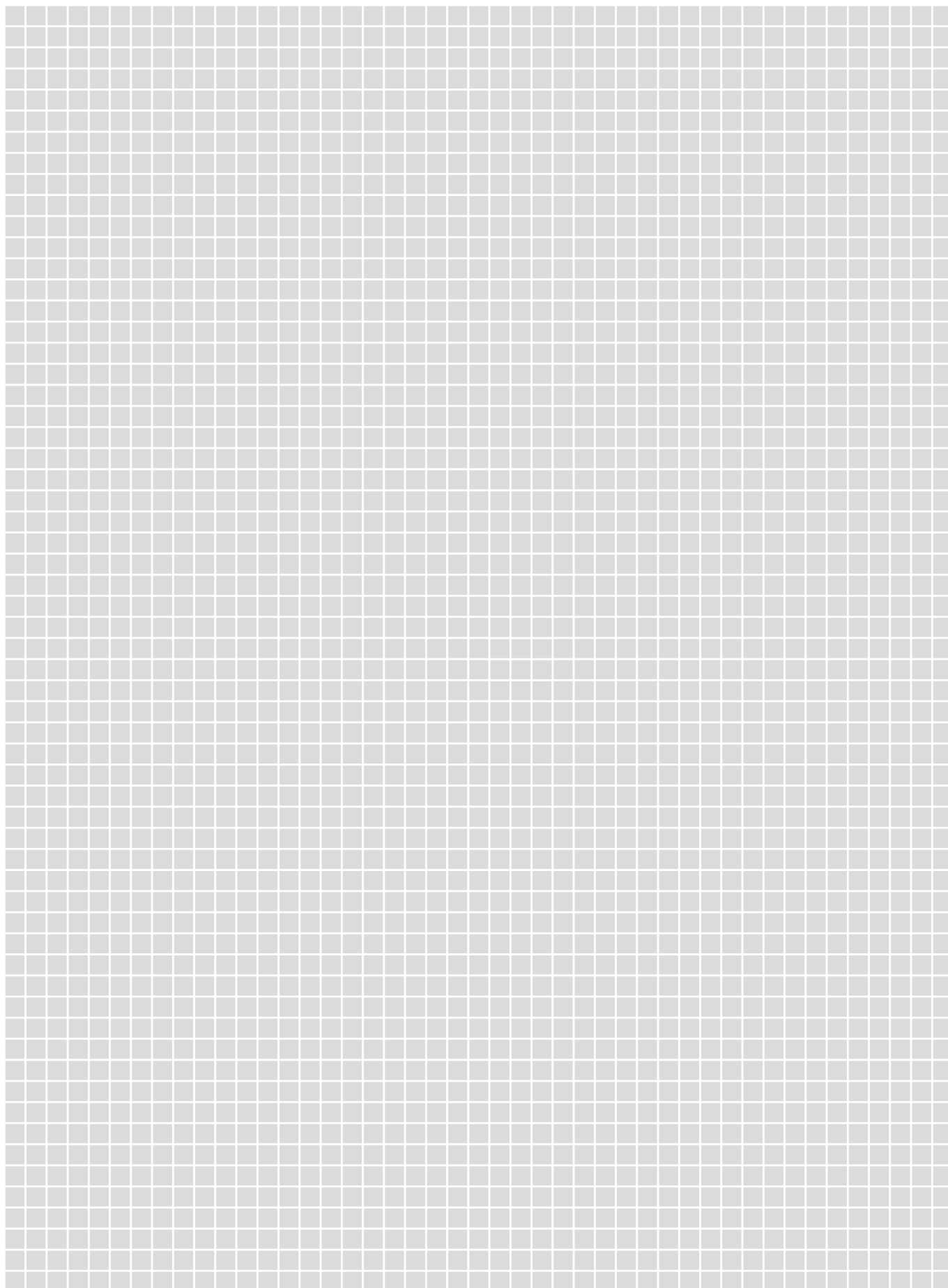
	<b>AG</b> antracietgrijs		<b>GAE</b> grijs alu. geanodiseerd		<b>QG</b> kwartsgrijs
	<b>AP</b> abrikoos (sanitair „soft apricot“)		<b>GM</b> grijsmetallic		<b>RB</b> roodbruin
	<b>BH</b> bahama (sanitair „bahama“)		<b>GS</b> grafietzwart (sanitair „ebony“)		<b>SB</b> zwartbruin
	<b>BW</b> zuiver wit		<b>HB</b> lichtbeige		<b>SG</b> steengrijs
	<b>C</b> crème		<b>HG</b> lichtgrijs		<b>SP</b> zacht perzik (sanitair „soft peach“)
	<b>CA</b> caramel (sanitair „caramel“)		<b>MBW</b> zuiver wit mat		<b>T</b> transparant grijs
	<b>CG</b> citrusgeel		<b>MGS</b> grafietzwart mat		<b>VG</b> verkeersgrijs
	<b>DA</b> donker antraciet		<b>NB</b> notenbruin		<b>W</b> wit (sanitair „pergamon/jasmin“)
	<b>FG</b> voengrijs		<b>PG</b> pastelgrijs (sanitair „manhattan“)		<b>ZR</b> steenrood
	<b>G</b> grijs		<b>PW</b> parelwit		

Om druktechnische redenen kan de originele kleur niet exact worden weergegeven.











# Legenda

## Nieuwigheden



Nieuwe producten

## Personalisatie



MyDesign producten

## Toepassingen



Voor gebruik op de vloer in ruimtes voor particulier gebruik geschikt



Voor gebruik aan de wand binnen geschikt



Contactgeluiddempend

## Eigenschappen



Ook leverbaar in 3 m



Radiusperforatie verkrijgbaar



Peel & Stick zelfklevend



Easycut-snijraster



Easyfill-design



WiFi-sturing



Spraakbesturingsfunctie



Speciale hoek

### Verpakkingseenheden

PL = Europallet

KV = Kistverpakking / doosverpakking

BV = Bundelverpakking

Voor alle profieltypes geldt een bundelverpakking van 10 stuks.

P = Pakketverpakking

R = Rol

St. = Stuks

### Afmetingen

H = Hoogte

L = Lengte

B = Breedte

T = Diepte

De 3 m lengten kunnen echter niet met expresdienst worden geleverd.

Ten gevolge van technische ontwikkelingen zijn afwijkingen ten opzichte van foto's, tekeningen en beschrijvingen niet uit te sluiten.

Houd er rekening mee dat wij op maat gemaakte producten in het algemeen niet terugnemen; de wettelijke garantie blijft van kracht.



# Algemene bedrijfsvoorwaarden







Enkel onze algemene bedrijfsvoorwaarden zijn van toepassing, waarvan de actuele versie kan worden gedownload op [schlueter-systems.com/agb](https://schlueter-systems.com/agb) of die wij op verzoek kunnen toesturen.







[schlueter-systems.com](https://schlueter-systems.com)

De algemene bedrijfsvoorwaarden van Schlüter-Systems KG zijn van toepassing.  
Door de uitgave van deze beeldprijslijst verliezen alle vorige prijslijsten hun geldigheid.  
Vergissingen, wijzigingen, drukfouten en veranderingen ten gevolge van productinnovatie  
of die wegens leveringsomstandigheden noodzakelijk zijn, voorbehouden.  
Kleurafwijkingen bij afbeeldingen in deze prijslijst kunnen door druktechnische redenen mogelijk zijn.



**Schlüter-Systems KG**  Schmölestraße 7 | D-58640 Iserlohn  
 +49 2371 971-0  +49 2371 971-1112  [export@schlueter.de](mailto:export@schlueter.de)  [schlueter-systems.com](https://schlueter-systems.com)

**Schlüter-Systems KG**  BeNeLux Bureau | Schotelven 28 | B-2370 Arendonk  
 +32 14 44 30 80  [benelux@schlueter.de](mailto:benelux@schlueter.de)  [schlueter-systems.nl](https://schlueter-systems.nl)